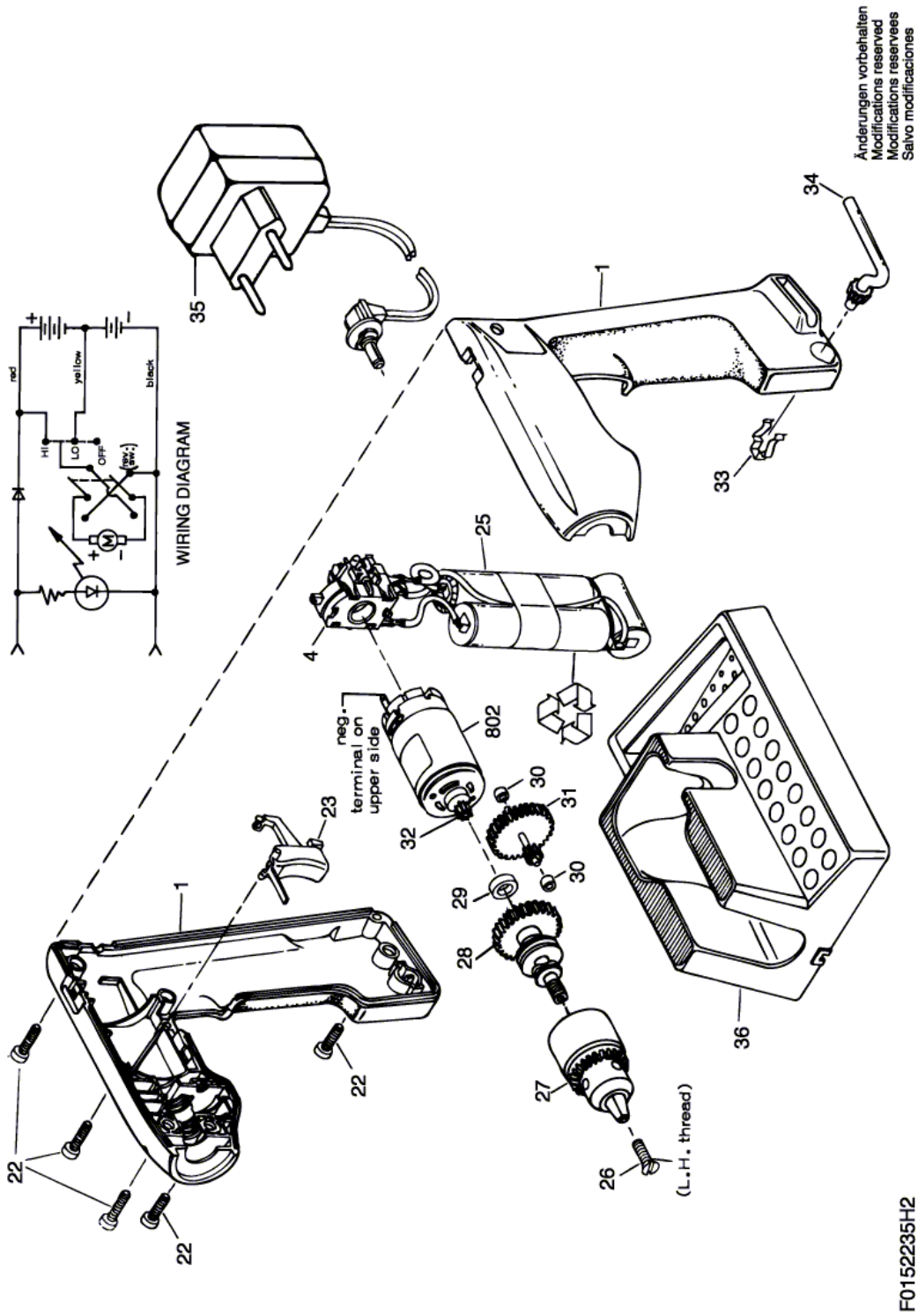


11.08.2015 |

Batt-Oper Drill - F 015 223 5H2 - 2235

Item	Part Number	Description	Illustration	Price	Quantity	Price Group
1	2 610 352 602	Housing	1	-,-	1	21
4	2 610 354 396	Switch	1	-,-	1	21
22	2 610 350 996	Screw	1	-,-	5	11
23	2 610 352 624	Lever	1	-,-	1	11
25	2 610 352 648	Battery Set	1	-,-	1	36
26	2 610 068 005	Screw	1	-,-	1	11
27	2 610 387 205	Chuck	1	-,-	1	-
28	2 610 376 959	Toothed Gear	1	-,-	1	26
29	2 610 351 034	Bearing	1	-,-	1	13
30	2 610 352 629	Bearing	1	-,-	2	13
31	2 610 353 295	Toothed Gear	1	-,-	1	19
32	2 610 353 272	Pinion	1	-,-	1	11
33	2 610 351 023	Support	1	-,-	1	11
34	2 610 315 835	Key	1	-,-	1	19
35	2 610 376 844	Battery Charger 230V	1	-,-	1	31
36	2 610 354 350	Holder	1	-,-	1	21
802	2 610 353 293	Motor	1	-,-	1	27

Illustration - Type E



Information subject to change without further notice.

F0152235H2