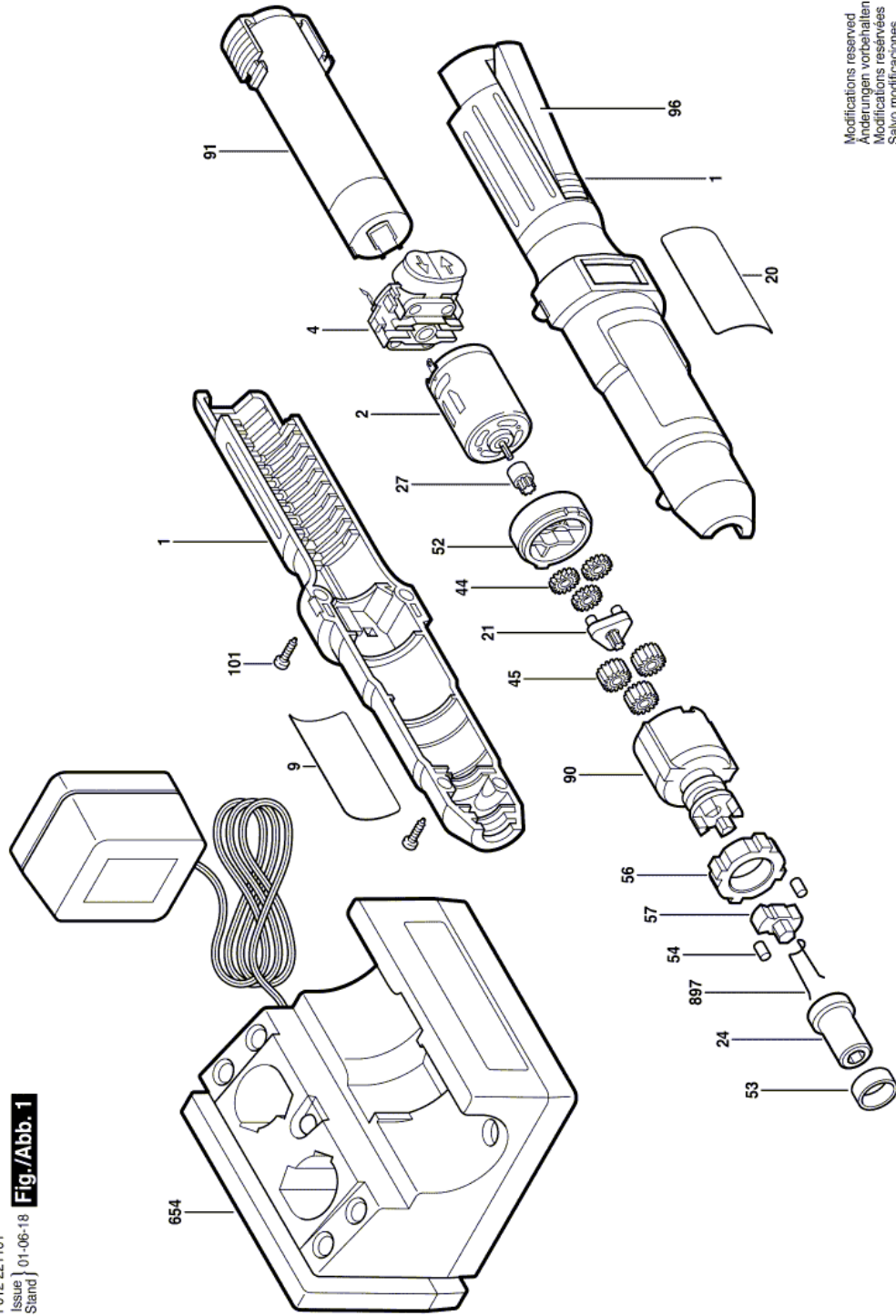


## Cordless Drill Driver - F 012 221 101 - 2211 TYPE ...

Item	Part Number	Description	Illustration	Price	Quantity	Price Group
1	2 610 902 316	Housing	1	-,-	1	15
2	2 610 352 716	Motor 2,4-3,6V	1	-,-	1	22
4	2 610 357 411	Switch	1	-,-	1	21
9	2 610 907 071	Manufacturer's nameplate	1	-,-	1	-
20	2 610 904 488	Label	1	-,-	1	-
21	2 610 356 033	Support	1	-,-	1	13
24	2 610 352 545	Clamping Ring 1/4"	1	-,-	1	13
27	2 610 354 457	Pinion	1	-,-	1	11
44	2 610 356 036	Toothed Gear	1	-,-	3	11
45	2 610 356 652	Toothed Gear	1	-,-	3	11
52	2 610 354 463	Plate	1	-,-	1	11
53	2 610 352 510	Bearing	1	-,-	1	13
54	2 610 352 532	Dowel pin	1	-,-	2	11
56	2 610 352 511	Ring	1	-,-	1	15
57	2 610 352 546	Carrier	1	-,-	1	13
90	2 610 357 464	Toothed Gear	1	-,-	1	19
91	2 610 902 304	Battery 3.6V	1	-,-	1	-
96	2 610 357 447	Support	1	-,-	1	11
101	2 610 347 948	Screw	1	-,-	4	11
654	2 610 903 976	Battery Charger USA 120/3.6V	1	-,-	1	-
897	2 610 354 744	Holding Spring	1	-,-	1	19

Illustration - Type E



F012 221101  
Issue 01-06-18  
Stand **Fig./Abb. 1**

Modifications reserved  
Änderungen vorbehalten  
Modificacions reservades  
Salvo modificaciones

Information subject to change without further notice.