



SERVICE PARTS LIST

BUL. 54-12-5000

1" ELECTRIC DRILL

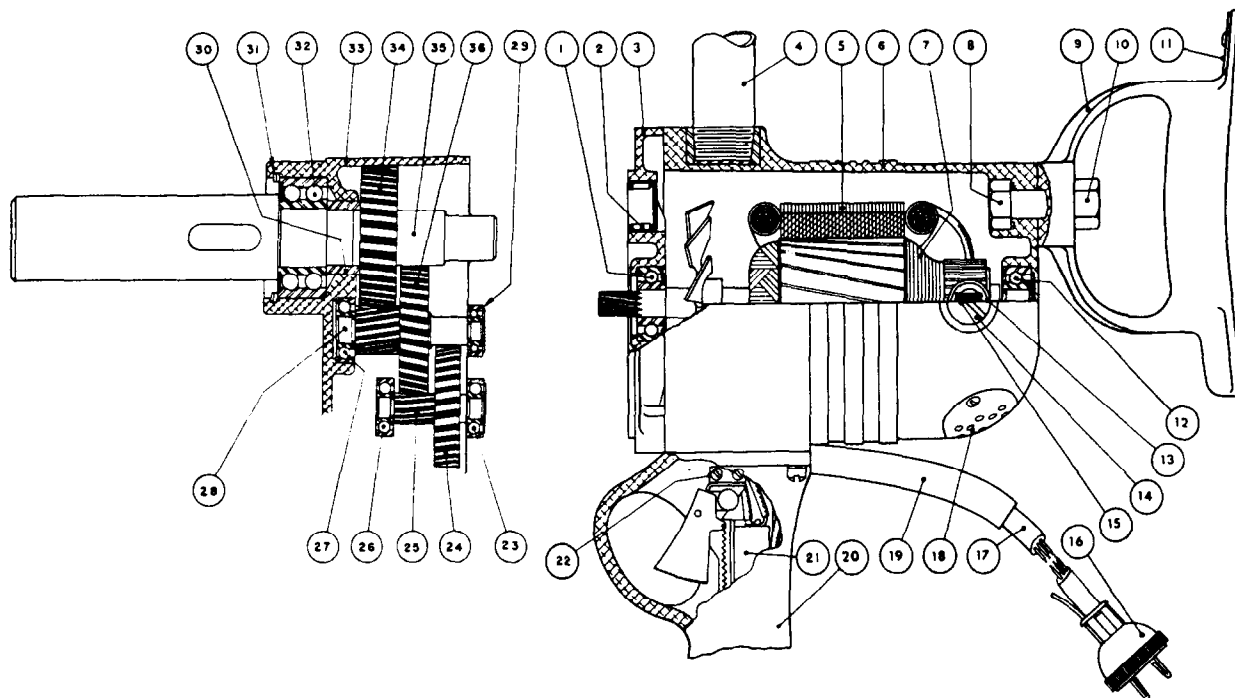
REVISED BUL. 6106-1 DATE FEB. '68

MODEL NO. M-103

Starting Serial No. **106-1001**

WIRING INSTR.

Both Model and Serial No. must be furnished to obtain correct parts.



ILLUSTRATED PARTS

FIG. PART NO.	NAME OF PART	FIG. PART NO.	NAME OF PART
1	WC8011 Armature Ball Brg. (Pinion End)	19	88D-48 Cord Protector Tube
2	M-12101 Spindle Needle Bearing	20	88D1-1A Switch Handle
3	3M-2 Diaphragm	21	CH8636K1 Switch
4	3M-43 Pipe Handle	22	88D-23 Switch Bracket
5	9U-700 Field Assembly	23	ND39 1st Inter. Shaft Ball Bearing
6	23D-1 Motor Housing	24	3M-14 1st Inter. Gear
7	3M-600 Armature Assembly	25	3M-131 1st Inter. Pinion Shaft
8	1/2"-13x1 1/2" Spade Handle Bolt (Hex. Hd.)	26	ND39 1st Inter. Shaft Ball Bearing
9	88D1-3A Spade Handle	27	ND3LO1 2nd Inter. Shaft Ball Bearing
10	1/2"-13 Spade Handle Jam Nut	28	3M-132 2nd Inter. Pinion Shaft
11	88D1-6 Spade Handle Key Clip	29	ND38 2nd Inter. Shaft Ball Bearing
12	WC8500 Armature Ball Brg. (Comm. End)	30	3M8-1 Spindle Spacer
13	88D-320 Brush Holder Assembly (2)	31	RRT-206 Spindle Ball Brg. Retg. Ring
14	88D-400 Brush Retaining Screw Assy. (2)	32	ND55505 Spindle Ball Bearing
15	88D-370 Carbon Brush Assemblies (2)	33	3M-3 Gear Case
16	3P-1 Attachment Plug (3-Prong)	34	3M-11 Spindle Gear
17	16G-1 Cord (3-Wire) per foot	35	3M8-3 #3 Morse Taper Spindle
18	23D-41 Air Intake Cover Plate	36	3M-111 2nd Inter. Gear

MISCELLANEOUS PARTS NOT SHOWN

SIZE OR PART NO.	DESCRIPTION OF PART	SIZE OR PART NO.	DESCRIPTION OF PART
103M-1	Name Plate	1/4"-20x3/4" Fil. Hd.	Switch Handle Screws (2)
#2	Drift	3PA-1	Attachment Plug Adaptor
#4x5/16" Driv-In	Spade Handle Key Clip Scs.(2)	1/4"-20x1/2" Hd'less	Brush Holder Set Screws (2)
6-32x1/4" Rd. Hd.	Switch Mounting Screws (2)	6-32x1/4" Rd. Hd.	Brass Ground Wire Screws
6-32x1/4" Fil. Hd.	Switch Bracket Screws (2)	#8	Kantlink Lock Washers (2)
#6x1/4" P.K.	Air Intake Plate Screws (2)	#14	Kantlink Lock Washers (2)
#4x5/16" Driv-In	Name Plate Screws (2)	#212	Woodruff Key
1/4"-20x1-5/16" Fil.	Hd. Gear Case Screws (2)	#212	Woodruff Key
1/4"-20x2" Fil. Hd.	Gear Case Screws (2)	#61	Woodruff Key
8-32x2-1/2" Rd. Hd.	Field Screws (2)		