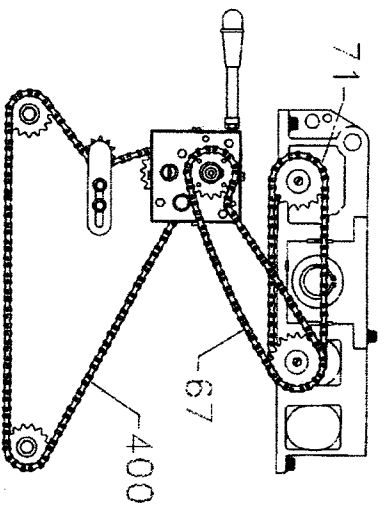


**NOTE A:** GASKET IS SOLD AT ONE (1) LENGTH WHICH MUST BE CUT TO CORRECT LENGTH AND MOUNTED WITH CONTACT CEMENT.  
**NOTE B:** SEE DIAGRAM BELOW FOR CORRECT CHAIN SELECTION.



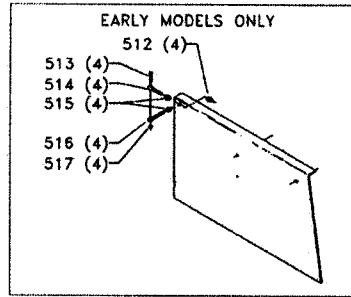
- 450 (4)
- 451 (4)
- 452 (12)
- 453 (12)
- 454 (12)
- 455 (4)
- 456 (4)
- 457 (4)

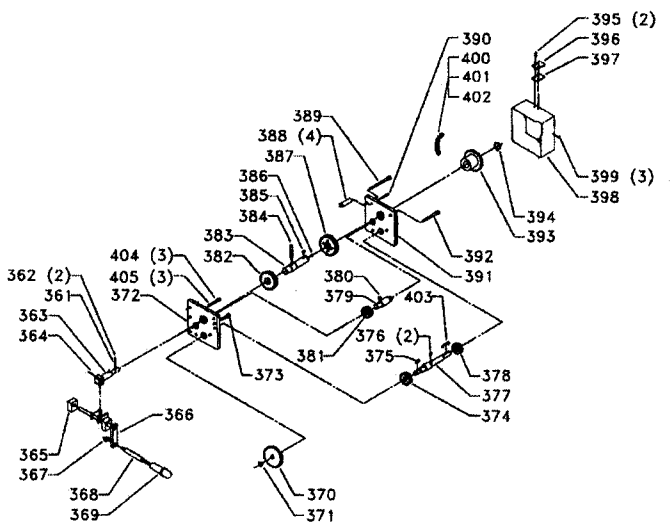
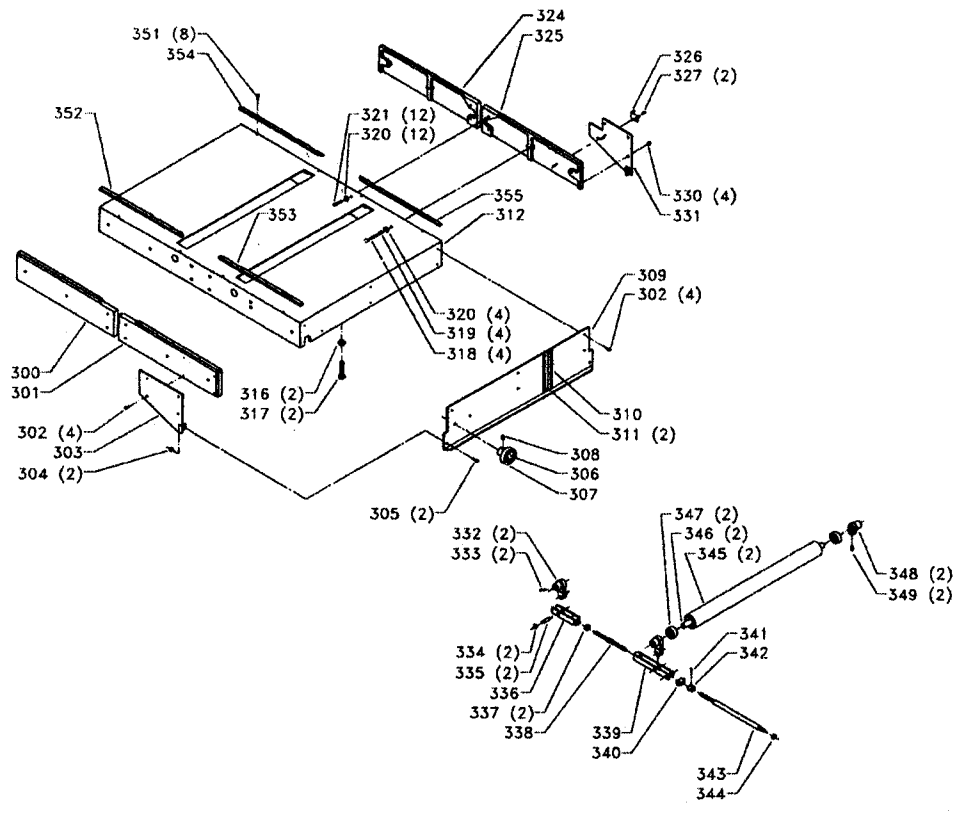
- 458 (2)
- 460 (2)
- 462 (4)
- 463 (4)
- 464 (12)
- 465 (4)
- 466 (4)
- 467 (2)
- 468 (4)
- 469 (4)
- 470 (12)
- 471 (2)
- 472 (2)
- 473 (2)
- 474 (4)
- 475 (4)
- 476 (12)
- 477 (2)
- 478 (2)
- 479 (2)
- 480 (2)
- 481 (2)
- 482 (2)
- 483 (2)

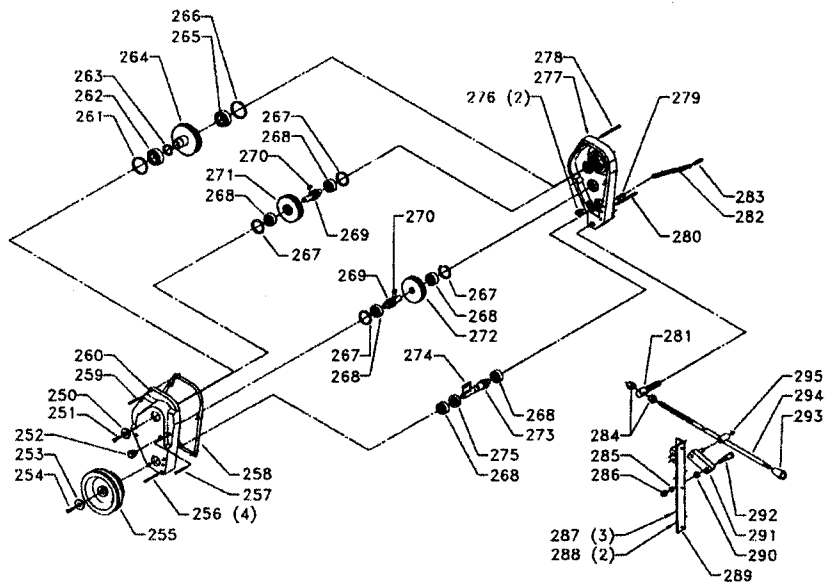
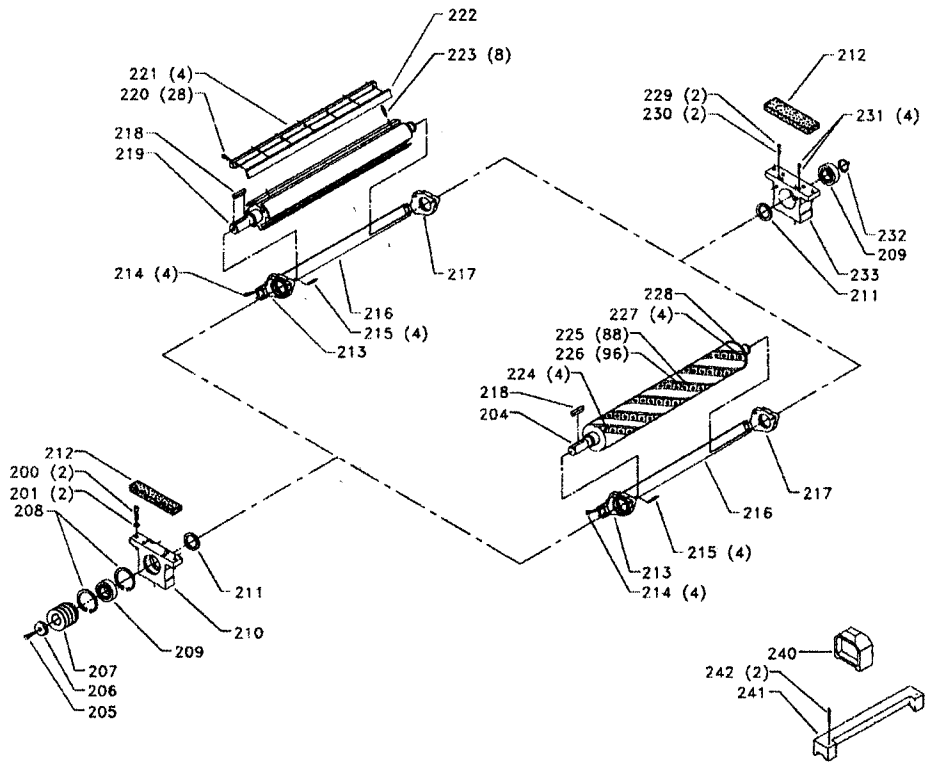
- 501
- 502 (4)
- 497
- 496 (2)
- 495 (2)
- 503 (4)
- 504
- 505 (2)
- 506 (2)
- 507
- 509 (2)
- 510 (2)
- 511

- 530 (4)
- 518 (2)
- 521 (4)
- 519
- 520
- 522
- 523 (2)
- 524 (2)
- 525

- 484
- 485
- 486
- 487
- 488
- 489
- 490 (2)
- 491
- 491A (2)







## Parts List for 22-610 Type 2

Item Number	Part Number	Description	Qty Required
1	428081210001	DUST COLLECTOR	1
2	1246013	CAP SCREW	7
3	904010101604S	STEEL WASHER	7
4	000000-00	No Longer Available	1
5	A21640	LABEL	1
6	428080720003	CHIP DEFLECTOR PLATE	1
7	1246045	MACH SCREW	3
8	1330433	WARNING LABEL	1
9	1330772	TOP COVER	1
10	1246052	CAP SCREW	4
15	1246061	ROLL PIN	4
16	1246057	CAP SCREW	4
17	1246065	LOCKWASHER	4
18	428061120001	ADJ NUT	1
19	1330696	SPRING	1
20	1246041	SET SCREW	2
21	1243549	SCREW	2
22	428080890010	SUPPORT LEFT	1
23	428070100003	BLOCK	1
24	1246044	SET SCREW	2
25	491964-00	NUT	2
26	000000-00	No Longer Available	2
27	489382-00	SCREW	8
28	000000-00	No Longer Available	1
29	000000-00	No Longer Available	1
30	000000-00	No Longer Available	1
31	000000-00	No Longer Available	1

## Parts List for 22-610 Type 2

Item Number	Part Number	Description	Qty Required
36	428070800001	INFEED ROLLER	1
37	000000-00	No Longer Available	1
40	000000-00	No Longer Available	1
41	428071120021	ADJ SCREW	12
42	428071220005	SPRING	12
43	1243320	SCREW	2
44	000000-00	No Longer Available	1
45	491964-00	NUT	1
46	1330005	CONNECTING ROD SUPRT	1
47	1330004	CONNECTING ROD	1
48	1330003	CHIPBREAKER SEGMENT	1
49	491964-00	NUT	12
50	1246044	SET SCREW	12
51	428080360001	CHIPBREAKER SEGMENT	11
52	428081060001	CHIPBREAKER SHAFT	1
53	000000-00	No Longer Available	1
54	428071080002	SUPPORT ROD	1
55	428060470001	FINGER	88
56	428061040006	SPACER	95
57	428071080003	KICKBACK ROD	1
58	428070170002	BUSHING	1
60	428070880003	STOP	2
61	428071120003	NUT	3
62	428071220003	SPRING	3
63	428080890011	SUPPORT RIGHT	1
64	1246049	FLAT HD SCREW	2
65	000000-00	No Longer Available	2

## Parts List for 22-610 Type 2

Item Number	Part Number	Description	Qty Required
66	428081340003	SPROCKET	1
67	428083230001	CHAIN ASSY	1
68	428071350003	MASTER LINK	1
69	428071350005	OFFSET LINK	1
70	428071340006	SPROCKET	1
71	428083230002	CHAIN ASSY	1
72	428071350007	MASTER LINK	1
73	428071340005	SPROCKET	1
80	428080840001	BELT TIGHTENER	1
81	000000-00	No Longer Available	1
82	1243496	NUT-STEEL	1
84	1243496	NUT-STEEL	4
85	1243502	WASHER	10
86	1246099	CAP SCREW	4
88	428071060006	MOTOR BASE	1
89	1246036	CAP SCREW	2
90	1243502	WASHER	2
91	000000-00	No Longer Available	1
92	1246198	SCREW	1
93	428071330001	V BELT	1
94	428071330002	V BELT SET	1
95	428081300001	MTR PULLEY	1
96	000000-00	No Longer Available	1
97	1246035	CAP SCREW	1
98	488822-00	FLAT WASHER	1
99	491889-00	SCREW HEX HEAD	1
100	1243496	NUT-STEEL	1



## Parts List for 22-610 Type 2

Item Number	Part Number	Description	Qty Required
101	1246074	HEX HD CAP SCR	1
102	1246045	MACH SCREW	4
103	000000-00	No Longer Available	1
104	438010170172	OFF BUTTON	1
105	438010170173	ON BUTTON	1
106	000000-00	No Longer Available	1
107	428071370001	NAMEPLATE	1
108	422280790015	RIVIT	2
109	1246075	8 X 24 MM ROLL PIN	4
110	428070550004	GUIDE	2
111	1246065	LOCKWASHER	2
112	1246172	CAP SCREW	2
113	488822-00	FLAT WASHER	6
114	1246017	CAP SCREW	6
115	491889-00	SCREW HEX HEAD	2
116	428071040010	WASHER	2
117	000000-00	No Longer Available	1
118	428061340002	SPROCKET	1
119	000000-00	No Longer Available	1
120	1246013	CAP SCREW	1
121	428071040023	SPACER	3
122	1246090	MACH.SCREW	3
200	1246052	CAP SCREW	2
201	1243360	LOCKWASHER	2
205	1330667	M12X30 HEX HD SCREW	1
206	428071040009	WASHER	1
207	000000-00	No Longer Available	1

## Parts List for 22-610 Type 2

Item Number	Part Number	Description	Qty Required
208	1246068	INT RETAINING RING	1
209	428070170001	BEARING	2
210	428080100003	BEARING BLOCK LEFT	1
211	000000-00	No Longer Available	2
212	1330693	GASKET	2
213	000000-00	No Longer Available	2
214	1246053	CAP SCREW	8
215	000000-00	No Longer Available	8
216	1330472	PRESSURE BAR	2
217	1330470	YOKE RIGHT	2
218	428070790003	KEY	2
219	000000-00	No Longer Available	1
220	428071120001	SCREW	28
221	000000-00	No Longer Available	4
222	22-606	KNIVES/RC-63	1
223	428071220001	SPRING	8
224	1340252	KNIFE	4
225	1340250	FULL SEGMENT	88
226	428071120023	TORX SCREW	96
227	1340251	RIGHT SEGMENT	4
228	428070360003	DEFLECTOR RING	1
240	1330270	GAGE BLOCK	1
241	428073500001	KNIFE GAGE	1
242	1246185	ROLLPIN	2
250	428071040005	WASHER	1
251	1246049	FLAT HD SCREW	1
252	000000-00	No Longer Available	1

## Parts List for 22-610 Type 2

Item Number	Part Number	Description	Qty Required
253	000000-00	No Longer Available	1
254	1246048	FLAT HD SCREW	1
255	428071300002	PULLEY	1
256	1246055	CAP SCREW	4
257	1243331	SCREW	1
258	000000-00	No Longer Available	1
259	1246070	SOC HD CAP SCR	1
260	000000-00	No Longer Available	1
260	428070310003	GEAR BOX	1
261	428071160001	O RING	1
262	428070170004	BEARING	1
263	000000-00	No Longer Available	1
264	000000-00	No Longer Available	1
265	920040224014	BEARING	1
266	428071160004	O RING	1
267	000000-00	No Longer Available	4
268	920040205348	BEARING	6
269	000000-00	No Longer Available	2
270	000000-00	No Longer Available	2
271	000000-00	No Longer Available	1
272	000000-00	No Longer Available	1
273	000000-00	No Longer Available	1
274	428070790005	KEY	1
275	000000-00	No Longer Available	1
276	428070740003	PLUG	1
278	1246143	ROLL PIN	1
279	000000-00	No Longer Available	1

## Parts List for 22-610 Type 2

Item Number	Part Number	Description	Qty Required
280	428070710003	ROLL PIN	1
281	000000-00	No Longer Available	1
282	428071220006	SPRING	1
283	000000-00	No Longer Available	1
284	1246114	HEX NUT	1
285	1246065	LOCKWASHER	1
286	1243476	NUT	1
287	1246004	CAP SCREW	3
288	1246077	ROLL PIN	2
289	428071040008	SPACER	1
290	428071040006	SPACER	1
291	428070890003	PIVOT	1
292	428071120007	SCREW	1
293	000000-00	No Longer Available	1
294	428071060002	SCREW	1
295	1246058	EXT RET RING	1
351	000000-00	No Longer Available	8
352	000000-00	No Longer Available	1
353	000000-00	No Longer Available	1
354	000000-00	No Longer Available	1
355	428070550004	GUIDE	1
361	428071220012	SPRING	1
362	N030548	STEEL BALL	2
363	428083280001	CLUTCH ASSY	1
364	1246184	ROLL PIN	1
365	000000-00	No Longer Available	1
366	000000-00	No Longer Available	1

## Parts List for 22-610 Type 2

Item Number	Part Number	Description	Qty Required
367	1243496	NUT-STEEL	1
368	428070670010	LEVER	1
369	432071380005	HANDLE	1
370	000000-00	No Longer Available	1
371	1243301	RING	1
372	000000-00	No Longer Available	1
373	491889-00	SCREW HEX HEAD	1
374	000000-00	No Longer Available	1
375	000000-00	No Longer Available	1
376	428070790008	KEY	2
377	428081060002	WHEEL SHAFT	1
378	000000-00	No Longer Available	1
379	428071060011	SHAFT	1
380	428070790008	KEY	1
381	000000-00	No Longer Available	1
382	428080510003	GEAR W/PINS & BSHNG	1
383	428081060003	CLUTCH SHAFT	1
384	428070710009	PIN	1
385	000000-00	No Longer Available	1
386	1246092	SET SCREW	1
387	428080510004	GEAR W/PINS & BUSHNG	1
388	000000-00	No Longer Available	4
389	1246176	CAP SCREW	1
390	1246110	ROLL PIN	1
391	000000-00	No Longer Available	1
392	000000-00	No Longer Available	1
393	428081340002	SPROCKET	1

## Parts List for 22-610 Type 2

Item Number	Part Number	Description	Qty Required
394	1246181	RET RING	1
395	1341235	SCREW	2
395	1341235	SCREW	2
396	1330691	BRACKET	1
397	1330692	CHAIN SHOE	1
398	000000-00	No Longer Available	1
399	1246177	SCREW	3
400	428070230002	CHAIN ASSY.	1
401	428071350007	MASTER LINK	1
402	428071350001	OFFSET LINK	1
403	428070790009	KEY	1
404	1246053	CAP SCREW	3
405	488813-00	LOCK WASHER	3
450	1246019	CAP SCREW	4
451	000000-00	No Longer Available	4
452	428071040010	WASHER	12
453	1246017	CAP SCREW	12
454	1246045	MACH SCREW	12
455	428071040011	WASHER	4
456	428070880001	RING	4
457	000000-00	No Longer Available	4
458	1330487	ELEV SCREW ASSY	2
460	1330488	ELEV SCREW ASSY	2
462	000000-00	No Longer Available	4
463	428080310009	COVER	4
464	1246122	CAP SCREW	12
465	428070740001	DRAG PLUG	1

## Parts List for 22-610 Type 2

Item Number	Part Number	Description	Qty Required
466	1246011	SET SCREW	4
467	428080890008	SUPPORT	2
468	428070170007	BEARING	4
469	428070310006	COVER	4
470	491889-00	SCREW HEX HEAD	12
471	000000-00	No Longer Available	2
472	1246010	SET SCREW	2
473	428070170009	BALL BEARING	4
474	000000-00	No Longer Available	4
475	000000-00	No Longer Available	4
476	1246054	CAP SCREW	12
477	428071060004	TABLE ADJ.WORM GEAR	2
478	1246181	RET RING	2
479	428070790006	KEY	2
480	428070170008	BUSHING	1
481	428071340007	SPROCKET	2
482	428071040013	WASHER	2
483	491889-00	SCREW HEX HEAD	2
484	1310105	SCREW	1
485	422300790006	WASHER	1
486	428071000002	WHEEL	1
487	000000-00	No Longer Available	1
488	000000-00	No Longer Available	1
489	000000-00	No Longer Available	1
490	1246072	SOC HD CAP SCR	6
491	1330462	LIMITER BAR	1
491	1330694	SOC HD SET SCREW	2

## Parts List for 22-610 Type 2

Item Number	Part Number	Description	Qty Required
495	1243395	HEX NUT	4
496	1246102	FL.WASHER	4
497	000000-00	No Longer Available	1
498	438010110060	INSULATING PAPER	1
499	000000-00	No Longer Available	2
500	000000-00	No Longer Available	1
501	428080310002	ELECTRICAL BOX COVER	1
502	1246045	MACH SCREW	4
503	488829-00	SCREW	4
504	000000-00	No Longer Available	1
505	491889-00	SCREW HEX HEAD	2
506	488813-00	LOCK WASHER	2
507	428080890012	ELECTRICAL BOX SUP	1
508	1243496	NUT-STEEL	4
509	491964-00	NUT	2
510	488822-00	FLAT WASHER	2
511	000000-00	No Longer Available	1
512	1243496	NUT-STEEL	4
513	000000-00	No Longer Available	4
514	000000-00	No Longer Available	1
515	1243496	NUT-STEEL	4
516	000000-00	No Longer Available	4
517	1246064	EXT RET RING	4
518	1246054	CAP SCREW	2
519	000000-00	No Longer Available	1
520	000000-00	No Longer Available	1
521	1246070	SOC HD CAP SCR	4



## Parts List for 22-610 Type 2

Item Number	Part Number	Description	Qty Required
522	1246066	CAP SCREW	1
523	1243496	NUT-STEEL	2
524	1243502	WASHER	2
525	428080310005	COVER LOWER LEFT	1
530	000000-00	No Longer Available	4
531	1243456	NUT	16
532	000000-00	No Longer Available	1
600	1330010	TABLE RAISING ASSY	1
856	910366	OVERLOAD RELAY	1
856	910365	CONTACTOR	1
856	910367	OVERLOAD RELAY	1
856	491940-00	HEX WRENCH	1
856	000000-00	No Longer Available	1
856	910361	TRANSFORMER	1
856	428071010001	OPEN-END WRENCH	1
856	422291010002	4MM HEX WRENCH	1
856	910354	ELECTRICAL PANL 220V	1
856	910359	SWITCH	1
856	910355	ELECTRICAL PANL 440V	1