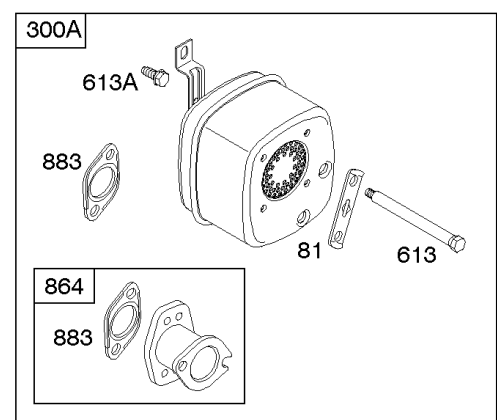
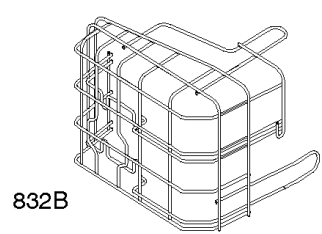
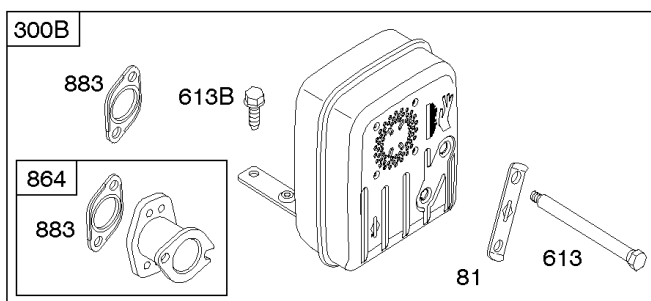
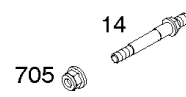
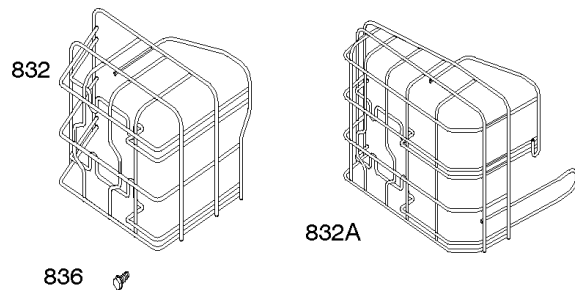
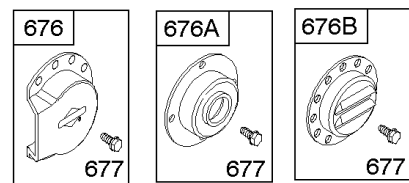
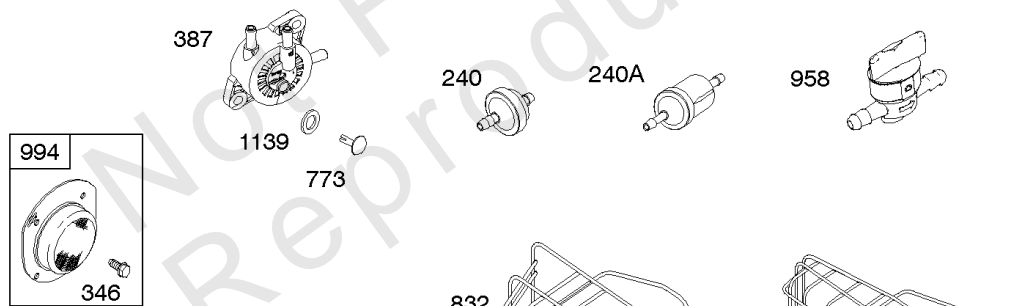
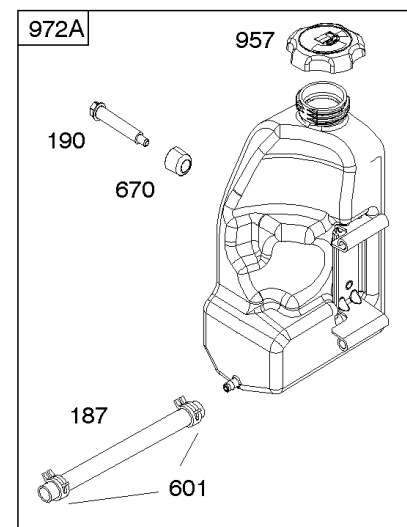
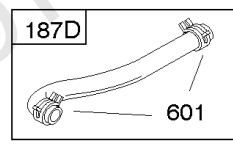
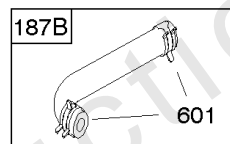
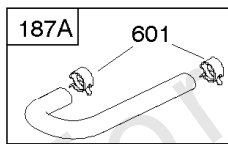
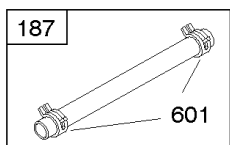
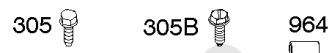
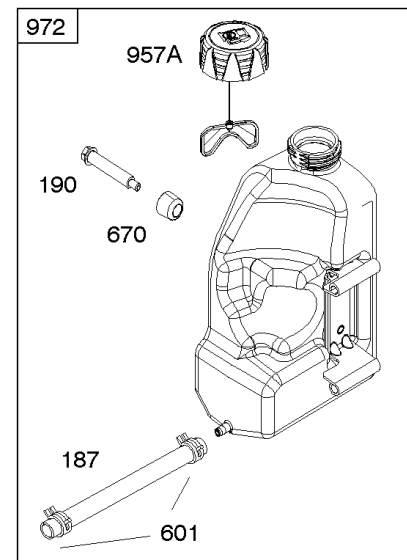
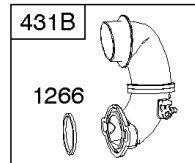
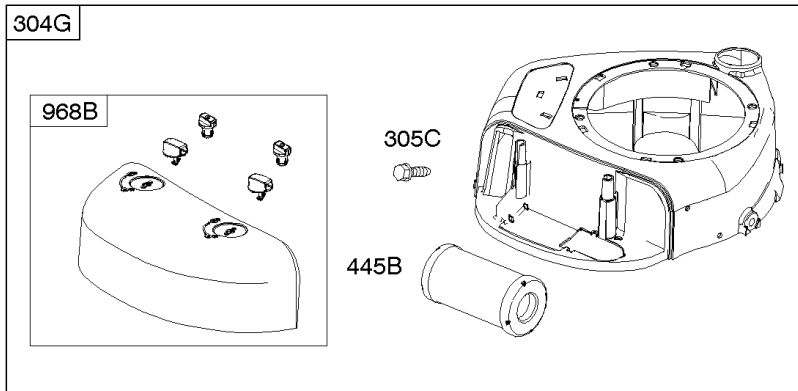
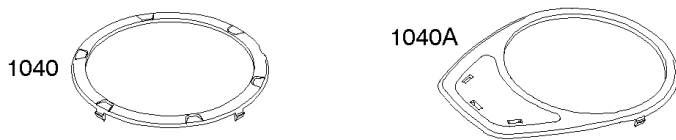




# Parts Manual

Mfg. No: 21R707-0098-G1



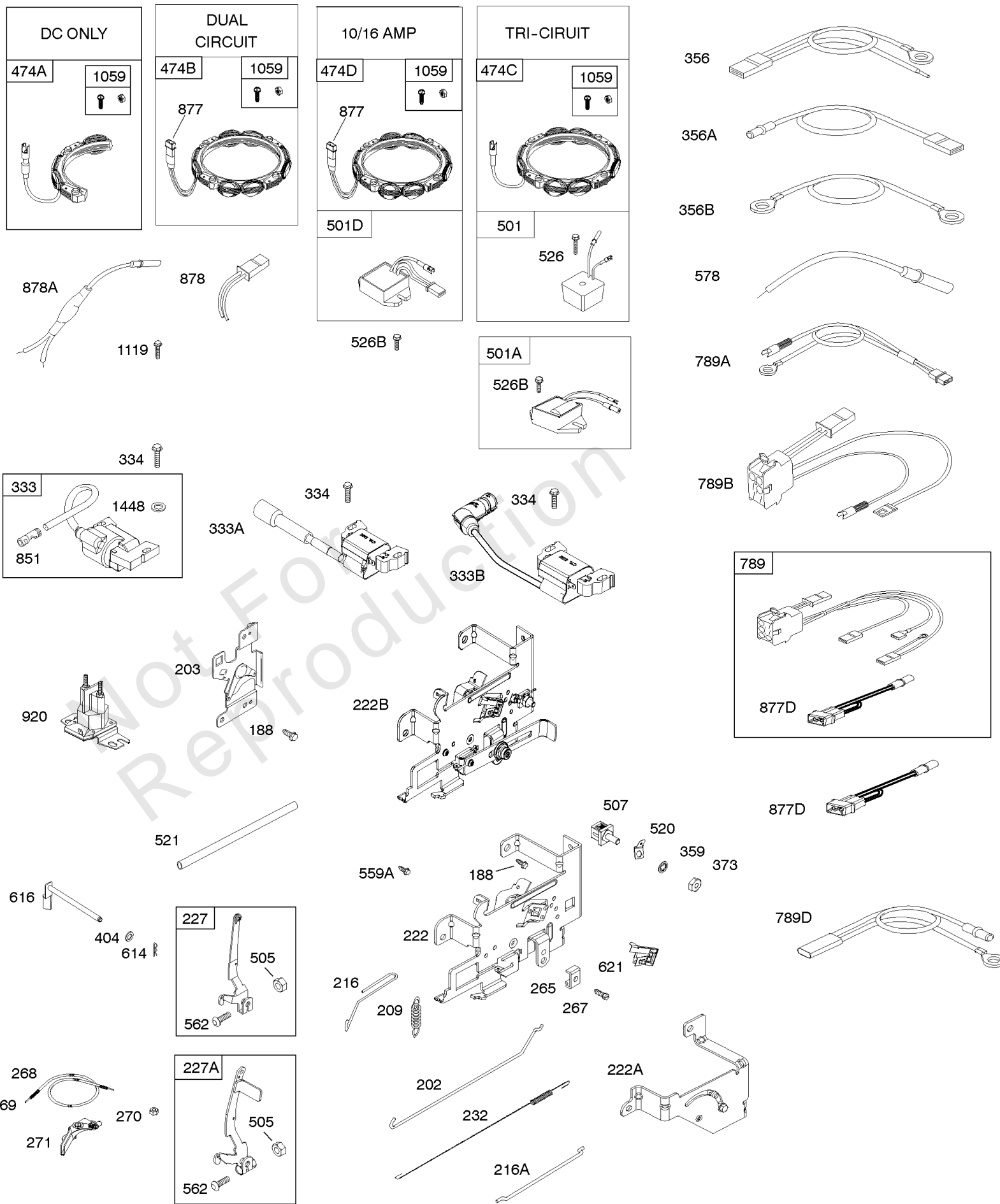
## Air Cleaner, Blower Housing, Exhaust System, Fuel Supply

| REF NO | PART NO  | QTY | DESCRIPTION  |
|--------|----------|-----|--|
| 14     | 790560   |     | STUD<br>-(Cylinder Head)   |
| 81     | 691178   |     | LOCK, Muffler Screw  |
| 187    | 791766   |     | LINE, Fuel<br>-(15" Long)(Cut to Required Length)                  |
| 187A   | 796491   |     | LINE, Fuel<br>-(Formed)(Cut To Required Length)                    |
| 187D   | 791744   |     | LINE, Fuel<br>-(Formed)(Cut To Required Length)                    |
| 187B   | 791805   |     | LINE, Fuel<br>-(Formed)(Cut To Required Length)                    |
| 190    | 796174   |     | SCREW<br>-(Fuel Tank)  |
| 240    | 394358S  |     | FILTER, Fuel<br>-(White, 75 Microns)                               |
| 240A   | 84001895 |     | FILTER, Fuel   |
| 300A   | 796000   |     | MUFFLER  |
| 300B   | 795997   |     | MUFFLER  |
| 304G   | 591641   |     | HOUSING, Blower<br>-(Black-Compatible With Canister Style Filter)  |
| 305    | 697102   |     | SCREW<br>-(Blower Housing)   |
| 305B   | 795891   |     | SCREW<br>-(Blower Housing) (Blower Housing To Intake Elbow)        |
| 305C   | 799370   |     | SCREW<br>-(Blower Housing) (Used On Grommet Style Blower Housings) |
| 346    | 794845   |     | SCREW<br>-(Spark Arrestor)   |
| 387    | 808656   |     | PUMP, Fuel   |
| 431B   | 797901   |     | ELBOW, Intake<br>-(EVAP)   |
| 445B   | 591583   |     | FILTER, A/C Cartridge<br>-(Canister)                               |
| 601    | 791850   |     | CLAMP, Hose<br>-(Green)  |
| 613    | 691416   |     | SCREW<br>-(Muffler)  |
| 613A   | 691678   |     | SCREW<br>-(Muffler)  |
| 613B   | 690297   |     | SCREW<br>-(Muffler)  |
| 670    | 796175   |     | SPACER, Fuel Tank  |
| 676    | 795036   |     | DEFLECTOR, Muffler   |
| 676A   | 396903   |     | DEFLECTOR, Muffler   |
| 676B   | 795038   |     | DEFLECTOR, Muffler   |
| 677    | 690367   |     | SCREW<br>-(Muffler Deflector) (#8-18 x 0.563 lg)                   |
| 677    | 690661   |     | SCREW<br>-(Muffler Deflector) (#8-18 x 0.375 lg)                   |
| 705    | 790561   |     | NUT<br>-(Fuel Tank)  |
| 773    | 796448   |     | RETAINER   |
| 823    | 698941   |     | SCREW<br>-(Muffler Adapter)  |
| 832    | 790244   |     | GUARD, Muffler   |
| 832A   | 595029   |     | GUARD, Muffler   |
| 832B   | 706336   |     | GUARD, Muffler   |
| 836    | 690367   |     | SCREW<br>-(Muffler Guard)  |

## ***Air Cleaner, Blower Housing, Exhaust System, Fuel Supply***

| <b>REF NO</b> | <b>PART NO</b> | <b>QTY</b> | <b>DESCRIPTION</b>   |
|---------------|----------------|------------|--|
| 864           | 796002         |            | ADAPTER, Muffler<br>-(2 1/4" Long)                                   |
| 883           | 692236         |            | GASKET, Exhaust  |
| 957           | 795027         |            | CAP, Fuel Tank<br>-(Standard)  |
| 957A          | 799719         |            | CAP, Fuel Tank<br>-(Carbon In Cap)                                   |
| 958           | 698183         |            | VALVE, Fuel Shut Off   |
| 964           | 799159         |            | CAP, Connector<br>-(EVAP)  |
| 968B          | 591646         |            | COVER, Air Cleaner<br>-(Black-Compatible With Canister Style Filter) |
| 972           | 799111         |            | TANK, Fuel<br>-(Fluorinated)   |
| 994           | 794945         |            | ARRESTOR, Spark  |
| 1040A         | 697381         |            | PLATE, Trim  |
| 1139          | 796449         |            | WASHER<br>-(Fuel Pump Bracket)                                       |
| 1266          | 691917         |            | SEAL, O-Ring<br>-(Intake Elbow)                                      |

Not For Reproduction



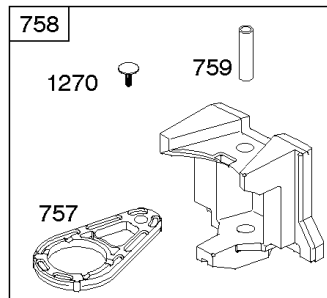
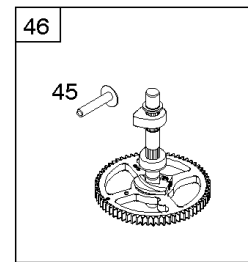
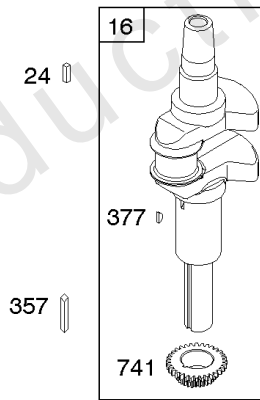
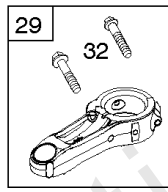
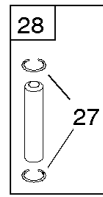
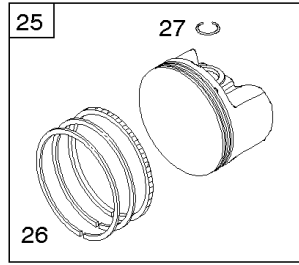
## Alternator, Controls, Governor Spring, Ignition

| REF NO | PART NO | QTY | DESCRIPTION  |
|--------|---------|-----|--|
| 188    | 691693  |     | SCREW<br>-(Control Bracket)  |
| 202    | 691841  |     | LINK, Mechanical Governor  |
| 203    | 691381  |     | CRANK, Bell  |
| 209    | 792602  |     | SPRING, Governor<br>-(Red)   |
| 216    | 691840  |     | LINK, Choke  |
| 216A   | 691281  |     | LINK, Choke  |
| 222    | 694042  |     | BRACKET, Control   |
| 227    | 691374  |     | LEVER, Governor Control  |
| 232    | 691842  |     | SPRING, Governor Link  |
| 265    | 691024  |     | CLAMP, Casing  |
| 267    | 794904  |     | SCREW<br>-(Casing Clamp) (#10-32x.62)  |
| 267    | 699891  |     | SCREW<br>-(Casing Clamp) (#8-32x.50)   |
| 268    | 691025  |     | CASING, Control Wire<br>-(Cut To Required Length)                                      |
| 269    | 691026  |     | WIRE, Control<br>-(Cut To Required Length)   |
| 270    | 691027  |     | NUT<br>-(Control Wire Casing)  |
| 271    | 691028  |     | LEVER, Control   |
| 333A   | 594626  |     | ARMATURE, Magneto<br>-Used After Code Date 16080800<br>-Used Before Code Date 16100100 |
| 333B   | 595304  |     | ARMATURE, Magneto<br>-(EMC Compliant)<br>-Used After Code Date 16093000                |
| 334    | 691061  |     | SCREW<br>-(Magneto Armature)   |
| 356    | 398808  |     | WIRE, Stop<br>-(Cut To Required Length)  |
| 356A   | 697397  |     | WIRE, Stop   |
| 356B   | 697089  |     | WIRE, Stop   |
| 359    | 691077  |     | WASHER<br>-(Ground Terminal)   |
| 373    | 845823  |     | NUT<br>-(Ground Terminal)  |
| 404    | 691691  |     | WASHER<br>-(Governor Crank)  |
| 474C   | 592829  |     | ALTERNATOR<br>-(Tri Circuit)   |
| 501    | 794360  |     | REGULATOR  |
| 505    | 691251  |     | NUT<br>-(Governor Control Lever)   |
| 507    | 691972  |     | INSULATOR  |
| 520    | 691084  |     | TERMINAL, Ground   |
| 521    | 690581  |     | SHIELD, Cable  |
| 526    | 697088  |     | SCREW<br>-(Regulator)  |
| 526B   | 697348  |     | SCREW<br>-(Regulator)  |
| 559A   | 693675  |     | SCREW<br>-(Remote Choke Stop) (Length .419 Inches)                                     |
| 562    | 691119  |     | BOLT<br>-(Governor Control Lever)  |
| 578    | 692306  |     | WIRE ASSEMBLY  |

## Alternator, Controls, Governor Spring, Ignition

| REF NO | PART NO | QTY | DESCRIPTION                                   |
|--------|---------|-----|---|
| 614    | 691620  |     | PIN, Cotter                                   |
| 616    | 692012  |     | CRANK, Governor                               |
| 621    | 692310  |     | SWITCH, Stop                                  |
| 789    | 698329  |     | HARNESS, Wiring                               |
| 789A   | 594433  |     | HARNESS, Wiring                               |
| 851    | 692424  |     | TERMINAL, Spark Plug                          |
| 877    | 393456  |     | WIRE/CONNECTOR, Alternator<br>-(Dual Circuit) |
| 877D   | 790544  |     | WIRE/CONNECTOR, Alternator                    |
| 878    | 398661  |     | HARNESS, Wiring<br>-(Dual Circuit)            |
| 878A   | 691955  |     | HARNESS, Alternator<br>-(Tri Circuit)         |
| 1059   | 698516  |     | KIT, Screw/Washer                             |
| 1119   | 691183  |     | SCREW<br>-(Alternator)                        |
| 1448   | 690260  |     | WASHER<br>-(Magneto Armature)                 |

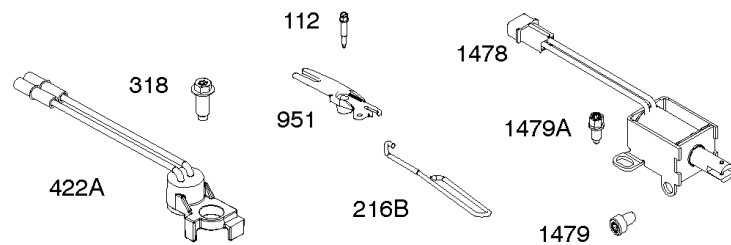
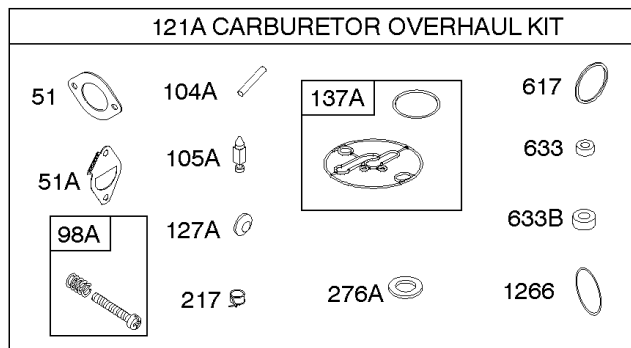
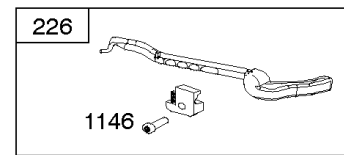
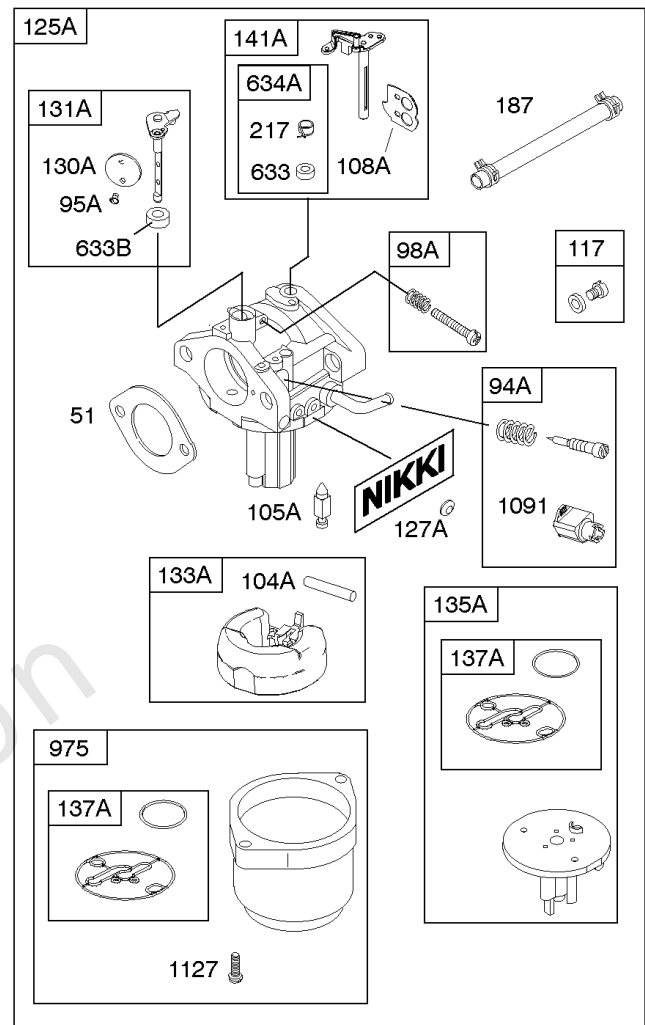
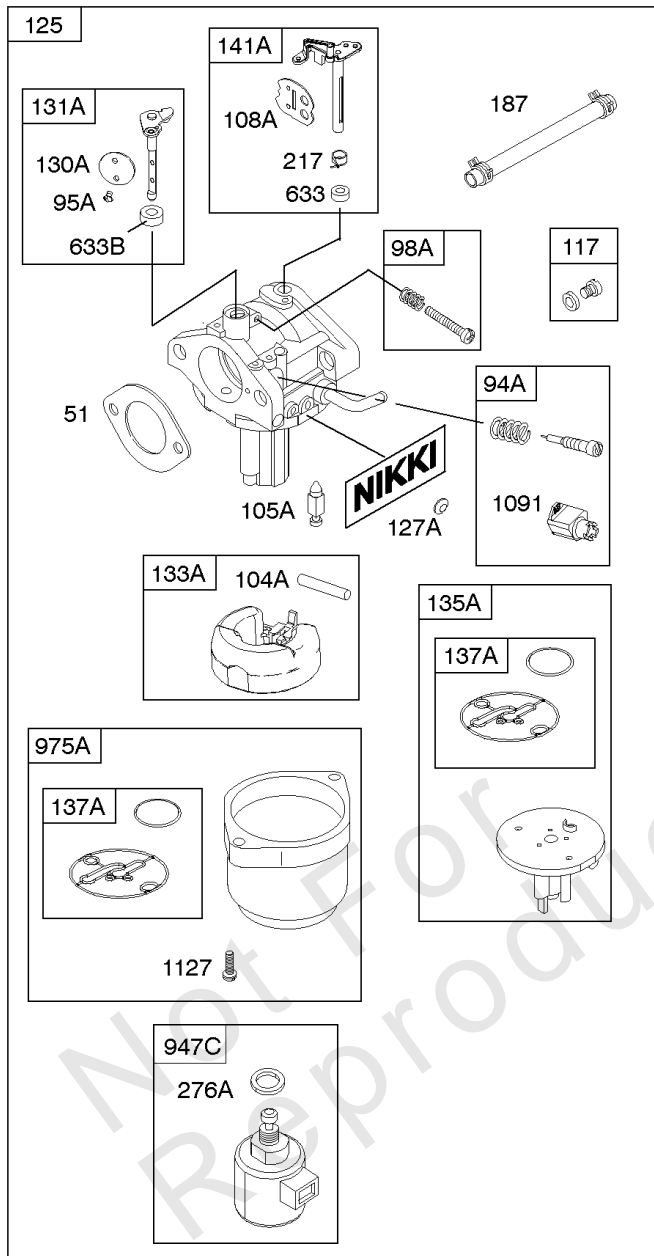
Not For Reproduction





## ***Camshaft, Crankshaft, Counter Weight, Piston, Rings, Connecting Rod***

| REF NO | PART NO | QTY | DESCRIPTION                          |
|--------|---------|-----|--------------------------------------|
| 16     | 593417  |     | CRANKSHAFT                           |
| 24     | 591757  |     | KEY, Flywheel                        |
| 25     | 595053  |     | PISTON ASSEMBLY<br>-(Standard)       |
| 25     | 595054  |     | PISTON ASSEMBLY<br>-(.020" Oversize) |
| 26     | 792643  |     | SET, Ring<br>-(.020 Oversize)        |
| 26     | 797011  |     | SET, Ring<br>-(Standard)             |
| 27     | 698469  |     | LOCK, Piston Pin                     |
| 28     | 797013  |     | PIN, Piston                          |
| 29     | 791633  |     | ROD, Connecting<br>-(Standard)       |
| 32     | 791118  |     | SCREW<br>-(Connecting Rod)           |
| 43     | 691968  |     | SLINGER, Governor/Oil                |
| 45     | 690564  |     | TAPPET, Valve                        |
| 46     | 793880  |     | CAMSHAFT                             |
| 357    | 691483  |     | KEY, Drive Pulley                    |
| 377    | 691639  |     | KEY, Timing                          |
| 741    | 697128  |     | GEAR, Timing                         |
| 757    | 793242  |     | LINK, Counterweight                  |
| 758    | 593418  |     | COUNTERWEIGHT                        |
| 759    | 697392  |     | PIN, Counterweight                   |
| 1270   | 793243  |     | PLUG, AVS Counterweight              |

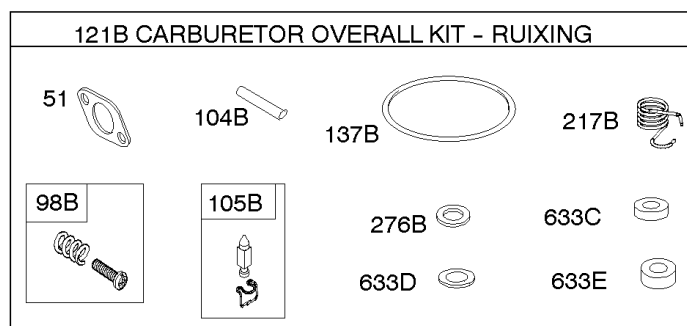
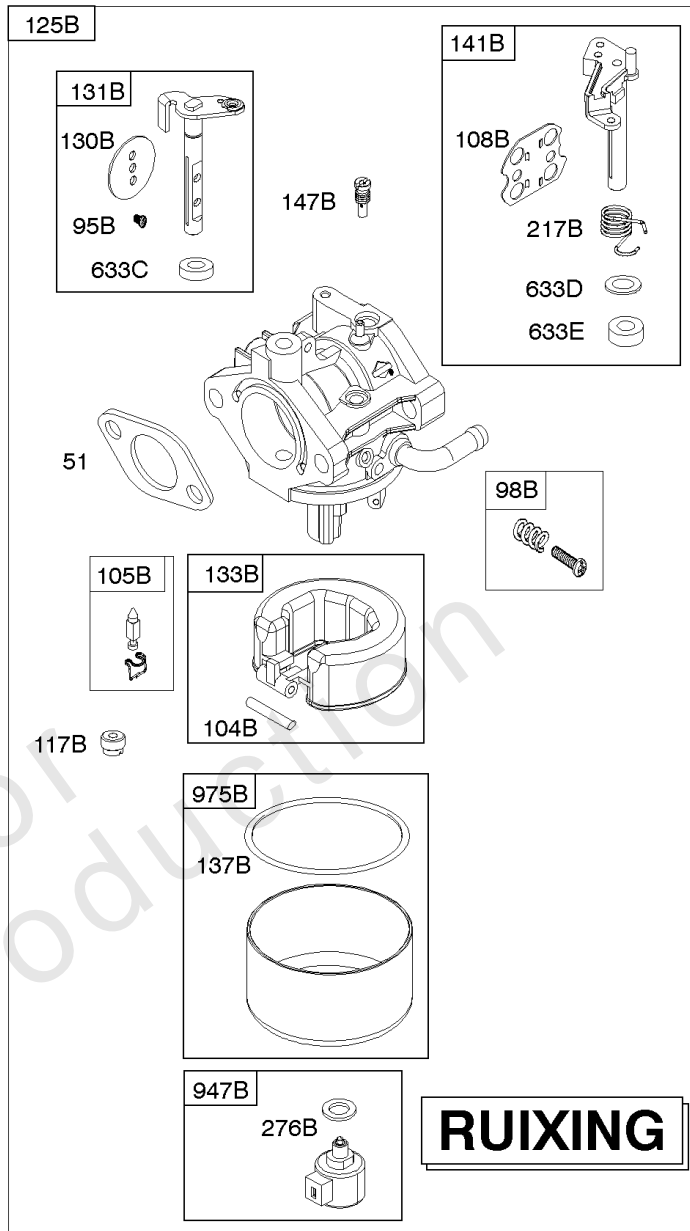


## Carburetor - Nikki

| REF NO | PART NO | QTY | DESCRIPTION  |
|--------|---------|-----|--|
| 51     | 692137  |     | GASKET, Intake   |
| 51A    | 796081  |     | GASKET, Intake   |
| 94A    | 793610  |     | KIT, Idle Mixture<br>-(Nikki)  |
| 95A    | 690718  |     | SCREW<br>-(Throttle Valve) (Nikki)                                     |
| 98A    | 695408  |     | KIT, Idle Speed<br>-(Nikki)  |
| 104A   | 694918  |     | PIN, Float Hinge<br>-(Nikki)   |
| 105A   | 696136  |     | VALVE, Float Needle<br>-(Nikki)  |
| 108A   | 698773  |     | VALVE, Choke<br>-(Nikki)   |
| 112    | 593040  |     | SCREW<br>-(Choke Lever) (Ready Start System)                           |
| 117    | 791405  |     | JET, Main<br>-(Standard) (Standard)                                    |
| 118    | 698788  |     | JET, Main<br>-(High Altitude) (5000 Feet)                              |
| 121A   | 796184  |     | KIT, Carburetor Overhaul<br>-(Nikki)                                   |
| 125A   | 590399  |     | CARBURETOR<br>-(Nikki Without Solenoid)                                |
| 127A   | 690727  |     | PLUG, Welch<br>-(Nikki)  |
| 130A   | 698774  |     | VALVE, Throttle<br>-(Nikki)  |
| 131A   | 698776  |     | KIT, Throttle Shaft<br>-(Nikki)  |
| 133A   | 694914  |     | FLOAT, Carburetor<br>-(Nikki)  |
| 135A   | 698780  |     | TUBE, Fuel Transfer<br>-(Nikki)(Gravity Feed)(Does Not Include Jet)    |
| 137A   | 698781  |     | GASKET, Float Bowl<br>-(Nikki)   |
| 141A   | 698778  |     | KIT, Choke Shaft<br>-(Nikki)   |
| 187    | 791766  |     | LINE, Fuel<br>-(15" Long)(Cut to Required Length)                      |
| 216B   | 593043  |     | LINK, Choke<br>-(Ready Start System)                                   |
| 217    | 695409  |     | SPRING, Choke Return   |
| 226    | 793386  |     | KIT, Choke Shaft<br>-(Manual Choke)                                    |
| 276A   | 695410  |     | WASHER, Sealing  |
| 318    | 594384  |     | SCREW<br>-(Mounting Bracket)   |
| 422A   | 593056  |     | SWITCH, Snap<br>-(Ready Start System)                                  |
| 617    | 692138  |     | SEAL, O-Ring<br>-(Intake Manifold) (TEMP/MAP Sensor) (Intake Manifold) |
| 633    | 699813  |     | SEAL, Choke/Throttle Shaft<br>-(Nikki)                                 |
| 633B   | 690998  |     | SEAL, Choke/Throttle Shaft<br>-(Nikki)                                 |
| 634A   | 698779  |     | SPRING/SEAL ASSEMBLY<br>-(Nikki)                                       |
| 947C   | 596038  |     | SOLENOID, Fuel   |

## Carburetor - Nikki

| REF NO | PART NO | QTY | DESCRIPTION  |
|--------|---------|-----|--|
| 951    | 593039  |     | LEVER, Choke<br>-(Ready Start System)                  |
| 975    | 698783  |     | BOWL, Float<br>-(Nikki Without Solenoid)               |
| 975A   | 699502  |     | BOWL, Float<br>-(Nikki With Solenoid)                  |
| 1091   | 691333  |     | CAP, Limiter   |
| 1127   | 695407  |     | SCREW<br>-(Float Bowl) (Float Bowl to Carburetor Body) |
| 1146   | 793380  |     | SCREW<br>-(Choke Shaft) (Manual Choke)                 |
| 1266   | 691917  |     | SEAL, O-Ring<br>-(Intake Elbow)                        |
| 1478   | 593037  |     | SOLENOID, Choke<br>-(Ready Start System)               |
| 1479   | 593041  |     | SCREW<br>-(Choke Solenoid) (Ready Start System)        |
| 1479A  | 593042  |     | SCREW<br>-(Choke Solenoid) (Ready Start System)        |



## Carburetor - Ruixing

| REF NO | PART NO | QTY | DESCRIPTION                              |
|--------|---------|-----|--|
| 51     | 692137  |     | GASKET, Intake                           |
| 95B    | 593897  |     | SCREW<br>-(Throttle Valve) (Ruixing)     |
| 98B    | 846817  |     | KIT, Idle Speed<br>-(Ruixing)            |
| 104B   | 594860  |     | PIN, Float Hinge<br>-(Ruixing)           |
| 105B   | 594868  |     | VALVE, Float Needle<br>-(Ruixing)        |
| 108B   | 594863  |     | VALVE, Choke<br>-(Ruixing)               |
| 121B   | 594886  |     | KIT, Carburetor Overhaul<br>-(Ruixing)   |
| 130B   | 594858  |     | VALVE, Throttle<br>-(Ruixing)            |
| 131B   | 594856  |     | KIT, Throttle Shaft<br>-(Ruixing)        |
| 133B   | 594859  |     | FLOAT, Carburetor<br>-(Ruixing)          |
| 137B   | 594861  |     | GASKET, Float Bowl<br>-(Ruixing)         |
| 141B   | 594862  |     | KIT, Choke Shaft<br>-(Ruixing)           |
| 147B   | 594872  |     | JET, Pilot<br>-(Ruixing)                 |
| 217B   | 594864  |     | SPRING, Choke Return<br>-(Ruixing)       |
| 276B   | 846640  |     | WASHER, Sealing<br>-(Ruixing)            |
| 633C   | 594866  |     | SEAL, Choke/Throttle Shaft<br>-(Ruixing) |
| 633E   | 797629  |     | SEAL, Choke/Throttle Shaft<br>-(Ruixing) |
| 633D   | 594865  |     | SEAL, Choke/Throttle Shaft<br>-(Ruixing) |
| 947B   | 846639  |     | SOLENOID, Fuel<br>-(Ruixing)             |
| 975B   | 594867  |     | BOWL, Float<br>-(Ruixing)                |



## Cylinder Head, Gasket Set - Engine, Gasket Set - Valve, Intake Manifold, Valves

| REF NO | PART NO | QTY | DESCRIPTION  |
|--------|---------|-----|--|
| 3      | 391086S |     | SEAL, Oil<br>-(Magneto Side)   |
| 5      | 796183  |     | HEAD, Cylinder   |
| 7      | 273280S |     | GASKET, Cylinder Head  |
| 12     | 697110  |     | GASKET, Crankcase<br>-(.015" Thick)(Standard)                          |
| 13     | 690360  |     | SCREW<br>-(Cylinder Head)  |
| 20     | 795387  |     | SEAL, Oil<br>-(PTO Side)   |
| 33     | 792868  |     | VALVE, Exhaust<br>-(Chrome)  |
| 34     | 791935  |     | VALVE, Intake  |
| 35     | 691279  |     | SPRING, Valve<br>-(Intake)   |
| 36     | 691279  |     | SPRING, Valve<br>-(Exhaust)  |
| 42     | 499586  |     | KEEPER, Valve  |
| 45     | 690564  |     | TAPPET, Valve  |
| 50     | 592845  |     | MANIFOLD, Intake   |
| 51     | 692137  |     | GASKET, Intake   |
| 51A    | 796081  |     | GASKET, Intake   |
| 53     | 591260  |     | STUD<br>-(Carburetor)  |
| 54     | 691148  |     | SCREW<br>-(Intake Manifold)  |
| 186    | 794873  |     | CONNECTOR, Hose<br>-(TEMP/MAP Sensor) (Intake Manifold)                |
| 192    | 691986  |     | ADJUSTER, Rocker Arm   |
| 238    | 691843  |     | CAP, Valve   |
| 337    | 792015  |     | PLUG, Spark<br>-(Resistor EMS)   |
| 337    | 491055S |     | PLUG, Spark<br>-(Resistor)   |
| 337    | 691043  |     | PLUG, Spark<br>-(EMS)  |
| 358    | 796181  |     | GASKET SET, Engine   |
| 383    | 19576S  |     | WRENCH, Spark Plug   |
| 415    | 794903  |     | PLUG<br>-(TEMP/MAP Sensor) (Intake Manifold)                           |
| 524    | 691032  |     | SEAL, O-Ring   |
| 617    | 692138  |     | SEAL, O-Ring<br>-(Intake Manifold) (TEMP/MAP Sensor) (Intake Manifold) |
| 635    | 691909  |     | BOOT, Spark Plug   |
| 654    | 690958  |     | NUT<br>-(Carburetor)   |
| 691    | 692407  |     | SEAL, Governor Shaft   |
| 830    | 691095  |     | STUD, Rocker Arm   |
| 842    | 691031  |     | SEAL, O-Ring<br>-(Dipstick Tube)                                       |
| 850    | 100106  |     | SEALANT, Liquid<br>-(Rocker Cover Gasket and Breather Gasket)          |
| 868    | 690968  |     | SEAL, Valve  |
| 883    | 692236  |     | GASKET, Exhaust  |
| 914    | 691108  |     | SCREW<br>-(Rocker Cover)   |
| 1022   | 272475S |     | GASKET, Rocker Cover   |



## ***Cylinder Head, Gasket Set - Engine, Gasket Set - Valve, Intake Manifold, Valves***

| <b>REF NO</b> | <b>PART NO</b> | <b>QTY</b> | <b>DESCRIPTION</b>              |
|---------------|----------------|------------|---------------------------------|
| 1023          | 797421         |            | COVER, Rocker                   |
| 1026          | 794573         |            | ROD, Push<br>-(Exhaust)         |
| 1026          | 697394         |            | ROD, Push<br>-(Intake)          |
| 1029          | 691751         |            | ARM, Rocker                     |
| 1034          | 690822         |            | GUIDE, Push Rod                 |
| 1095          | 796189         |            | GASKET SET, Valve               |
| 1266          | 691917         |            | SEAL, O-Ring<br>-(Intake Elbow) |

Not For Reproduction



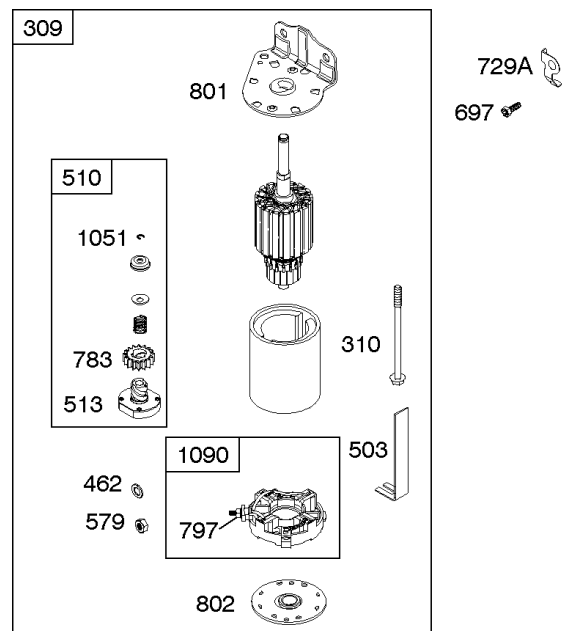
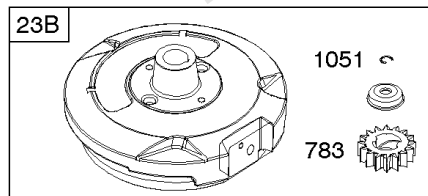
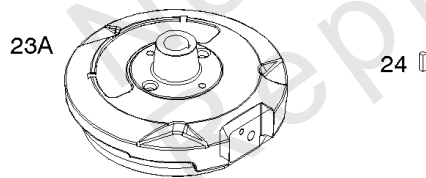
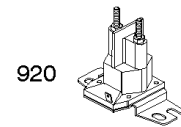
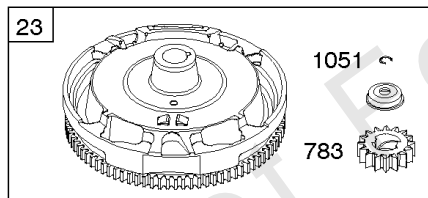
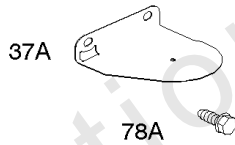
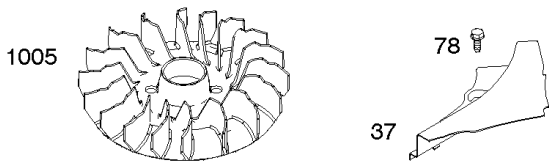
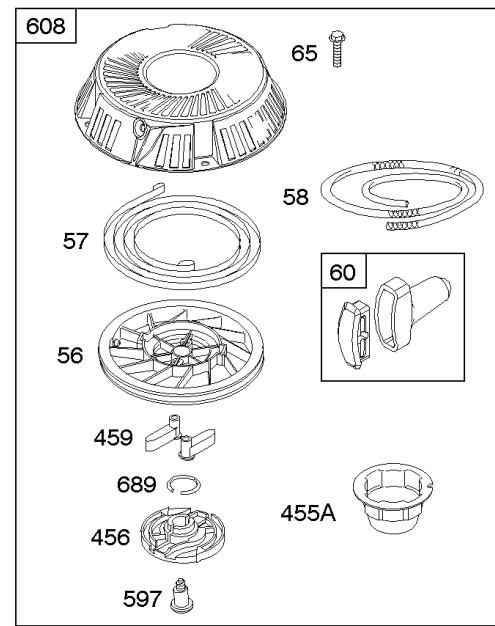
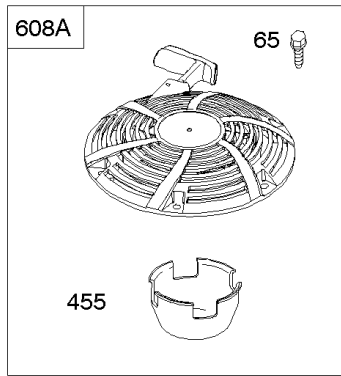
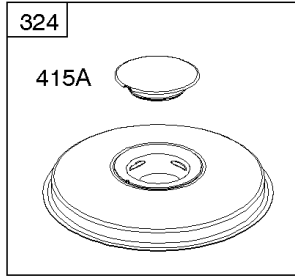
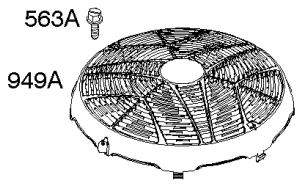
## Cylinder, Engine Sump, Lubrication, Oil Fill

| REF NO | PART NO | QTY | DESCRIPTION   |
|--------|---------|-----|---|
| 1      | 697377  |     | CYLINDER ASSEMBLY   |
| 2      | 797673  |     | KIT, Bushing/Seal<br>-(Magneto Side)                                |
| 3      | 391086S |     | SEAL, Oil<br>-(Magneto Side)  |
| 4      | 697106  |     | SUMP, Engine  |
| 11     | 794683  |     | TUBE, Breather  |
| 12     | 697110  |     | GASKET, Crankcase<br>-(.015" Thick)(Standard)                       |
| 15     | 690946  |     | PLUG, Oil Drain<br>-(3/8" Standard)                                 |
| 20     | 795387  |     | SEAL, Oil<br>-(PTO Side)  |
| 22     | 692125  |     | SCREW<br>-(Crankcase Cover/Sump)                                    |
| 37A    | 697626  |     | GUARD, Flywheel   |
| 43     | 691968  |     | SLINGER, Governor/Oil   |
| 78A    | 690364  |     | SCREW<br>-(Flywheel Guard)  |
| 186A   | 796532  |     | CONNECTOR, Hose   |
| 239    | 694115  |     | SWITCH, Oil Pressure  |
| 306    | 592778  |     | SHIELD, Cylinder  |
| 307    | 691693  |     | SCREW<br>-(Cylinder Shield)   |
| 415    | 794903  |     | PLUG<br>-(TEMP/MAP Sensor) (Intake Manifold)                        |
| 512    | 594200  |     | HOSE, Oil Drain   |
| 523    | 699908  |     | DIPSTICK  |
| 524    | 691032  |     | SEAL, O-Ring  |
| 525    | 697085  |     | TUBE, Dipstick<br>-(With Side Tube Connector)                       |
| 525A   | 697184  |     | TUBE, Dipstick<br>-(Standard Dipstick Tube)                         |
| 552    | 697144  |     | BUSHING, Governor Crank   |
| 584    | 794682  |     | COVER, Breather Passage<br>-(Use with Liquid Sealant Reference 850) |
| 598    | 799739  |     | SHIM, End Play<br>-(Crankshaft or Camshaft Bearing)                 |
| 684    | 697157  |     | SCREW<br>-(Breather Passage Cover)                                  |
| 691    | 692407  |     | SEAL, Governor Shaft  |
| 718    | 690959  |     | PIN, Locating   |
| 750    | 790832  |     | SCREW<br>-(Oil Pump Cover)  |
| 842    | 691031  |     | SEAL, O-Ring<br>-(Dipstick Tube)                                    |
| 847    | 790443  |     | DIPSTICK/TUBE ASSEMBLY<br>-(With Side Tube Connector)               |
| 847A   | 790442  |     | DIPSTICK/TUBE ASSEMBLY<br>-(Standard Dipstick Tube)                 |
| 850    | 100106  |     | SEALANT, Liquid<br>-(Rocker Cover Gasket and Breather Gasket)       |
| 943    | 690589  |     | SEAL, O-Ring<br>-(Oil Pump Cover)                                   |
| 965    | 499613  |     | COVER, Oil Pump   |
| 1017   | 796981  |     | SCREEN, Oil Pump  |
| 1024A  | 794644  |     | SHAFT, Pump   |

## Cylinder, Engine Sump, Lubrication, Oil Fill

| REF NO | PART NO | QTY | DESCRIPTION  |
|--------|---------|-----|--|
| 1027   | 798576  |     | FILTER, Oil<br>-(Premium)(Orange)  |
| 1027   | 492932S |     | FILTER, Oil<br>-(Standard)(Black)  |
| 1036   | -----   |     | Label-Emissions<br>-(Available From A Briggs & Stratton Authorized Dealer) |
| 1263   | 697124  |     | REED, Breather   |
| 1264   | 697104  |     | SCREW<br>-(Breather Reed)  |
| 1319   | 794467  |     | LABEL, Warning   |
| 1319A  | 797669  |     | LABEL, Warning<br>-(International)   |

Not For Reproduction



## Electric & Rewind Starter, Flywheel

| REF NO | PART NO | QTY | DESCRIPTION                           |
|--------|---------|-----|---------------------------------------|
| 23     | 591759  |     | FLYWHEEL                              |
| 24     | 591757  |     | KEY, Flywheel                         |
| 37     | 697352  |     | GUARD, Flywheel                       |
| 37A    | 697626  |     | GUARD, Flywheel                       |
| 56     | 695129  |     | PULLEY, Starter                       |
| 57     | 695131  |     | SPRING, Rewind Starter                |
| 58     | 695132  |     | ROPE, Starter                         |
| 60     | 490652  |     | HANDLE, Starter Rope                  |
| 65     | 690940  |     | SCREW<br>-(Rewind Starter)            |
| 78     | 691693  |     | SCREW<br>-(Flywheel Guard)            |
| 78A    | 690364  |     | SCREW<br>-(Flywheel Guard)            |
| 309    | 593934  |     | MOTOR, Starter                        |
| 310    | 690323  |     | BOLT<br>-(Starter Motor)              |
| 324    | 593933  |     | SCREEN/CUP ASSEMBLY                   |
| 363    | 19203   |     | PULLER, Flywheel                      |
| 415A   | 794129  |     | COVER, Flywheel<br>-(Cover/Retainer)  |
| 455A   | 796615  |     | CUP, Flywheel<br>-(Non Washable)      |
| 456    | 695128  |     | PLATE, Pawl Friction                  |
| 459    | 281505S |     | PAWL, Ratchet                         |
| 462    | 691261  |     | WASHER<br>-(Starter Cable)            |
| 503    | 691532  |     | STRAP, Starter                        |
| 510    | 693699  |     | DRIVE, Starter                        |
| 513    | 692024  |     | CLUTCH, Drive                         |
| 563A   | 799359  |     | SCREW<br>-(Debris Screen Guard)       |
| 579    | 691029  |     | NUT<br>-(Starter Cable)               |
| 597    | 691696  |     | SCREW<br>-(Pawl Friction Plate)       |
| 608A   | 591606  |     | STARTER, Rewind                       |
| 689    | 691855  |     | SPRING, Friction                      |
| 697    | 791680  |     | SCREW<br>-(Starter Motor) (Drive Cap) |
| 729A   | 691224  |     | CLIP, Wire<br>-(Starter Motor)        |
| 783    | 593935  |     | GEAR, Pinion                          |
| 797    | 693167  |     | NUT<br>-(Brush Retainer)              |
| 801    | 691283  |     | CAP, Drive                            |
| 802    | 691286  |     | CAP, End                              |
| 949A   | 799358  |     | GUARD, Debris Screen                  |
| 1005   | 796082  |     | FAN, Flywheel                         |
| 1044   | 698139  |     | SCREW<br>-(Flywheel)                  |
| 1051   | 691265  |     | RING, Retaining                       |
| 1090   | 691293  |     | RETAINER, Brush                       |

