



SERVICE PARTS LIST

BULLETIN NO.
54-06-2155

SPECIFY CATALOG NO. AND SERIAL NO. WHEN ORDERING PARTS		REVISED BULLETIN	DATE
LED 700W TEMPORARY SITE LIGHT			Oct. 2019
CATALOG NO.	2155-AC	STARTING SERIAL NO.	J46A
WIRING INSTRUCTION			

EXAMPLE:

00	0
----	---

 Component Parts (Small #)
 Are Included When Ordering
 The Assembly (Large #).

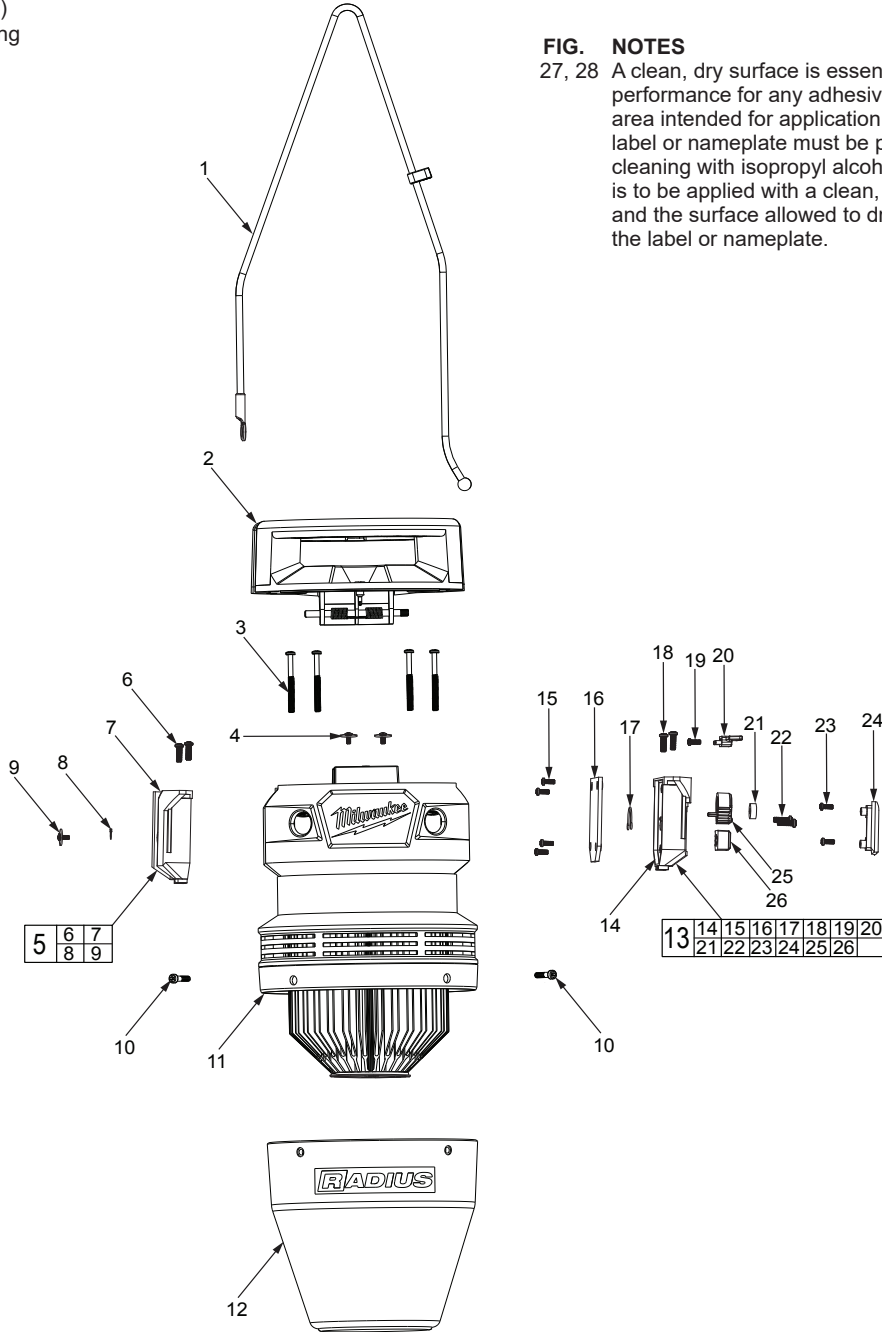


FIG. NOTES
 27, 28 A clean, dry surface is essential for proper performance for any adhesive system. The area intended for application of any adhesive label or nameplate must be prepared by cleaning with isopropyl alcohol. The solvent is to be applied with a clean, lint free applicator and the surface allowed to dry before applying the label or nameplate.

FIG.	PART NO.	DESCRIPTION OF PART	NO. REQ.	FIG.	PART NO.	DESCRIPTION OF PART	NO. REQ.
1	14-36-2155	Cable Assembly	(1)	16	-----	Right Support Cover	(1)
2	14-38-2155	Cover Assembly	(1)	17	-----	Clip	(1)
3	06-82-2160	M4 x 45 Screw	(4)	18	-----	M4 x 12 Screw	(2)
4	06-82-2155	Terminal Screw	(8)	19	-----	M3 x 8 Screw	(1)
5	14-38-2160	Left Support Kit	(1)	20	-----	Mounting Plate	(1)
6	-----	M4 x 12 Screw	(2)	21	-----	Plastic Washer	(1)
7	-----	Left Support	(1)	22	-----	M4 x 12 Screw	(2)
8	45-88-2155	Spring Washer	(1)	23	-----	M3 x 8 Screw	(2)
9	06-82-2170	M3 x 10 Screw	(1)	24	-----	Right Support Cap	(1)
10	06-82-2165	M4 x 15 Screw	(4)	25	-----	Cleat	(1)
11	-----	Base	(1)	26	-----	Fixed Plate	(1)
12	44-06-0155	Lens	(1)	27	12-20-2155	Service Nameplate (Not Shown)	(1)
13	14-38-2165	Right Support Kit	(1)	28	10-20-2191	Warning Label (Not Shown)	(1)
14	-----	Right Support	(1)	29	22-64-4410	Optional Female Cord (Not Shown)	(1)
15	-----	M3 x 8 Screw	(4)				