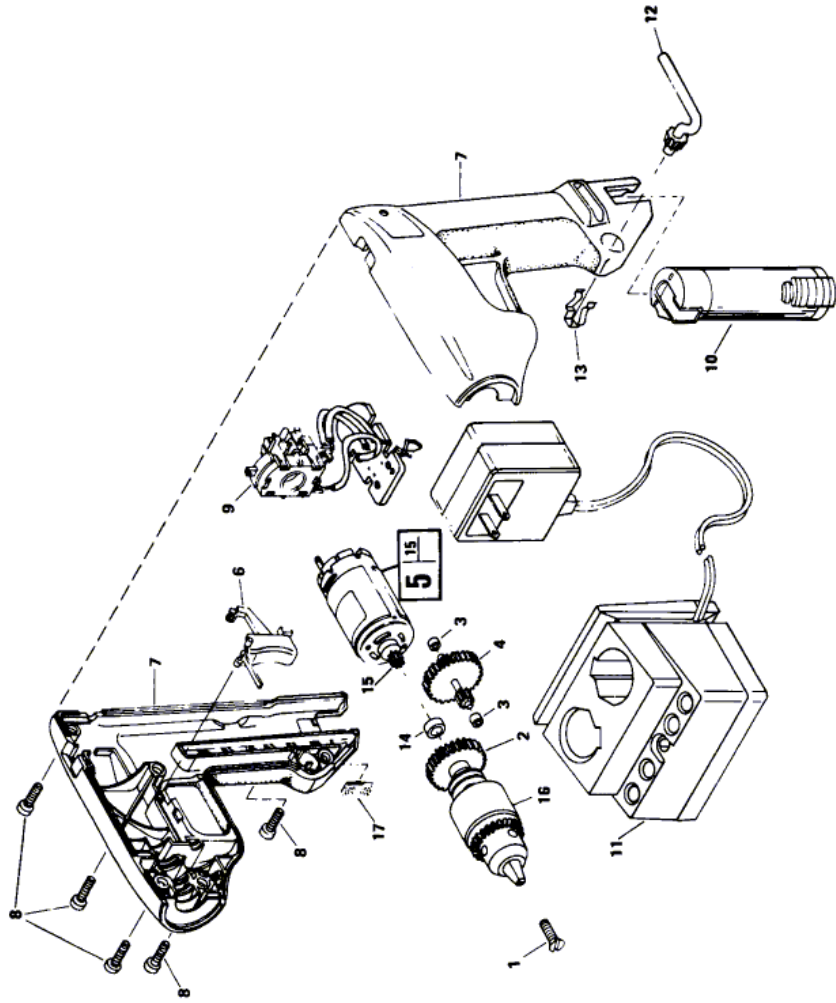


11.08.2015 |

## Cordless Drill - F 012 213 100 - 2131 TYPE 1

Item	Part Number	Description	Illustration	Price	Quantity	Price Group
1	2 610 068 005	Screw	1	-,-	1	11
2	2 610 354 721	Conversion Gear	1	-,-	1	-
3	2 610 352 629	Bearing	1	-,-	2	13
4	2 610 353 294	Toothed Gear	1	-,-	1	26
5	2 610 353 292	Motor 3,6V	1	-,-	1	-
6	2 610 352 624	Lever	1	-,-	1	11
7	2 610 358 064	Housing Set	1	-,-	1	-
8	2 610 315 386	Screw ST3,9x19	1	-,-	5	11
9	2 610 358 569	On-Off Switch	1	-,-	1	-
10	2 610 902 304	Battery 3.6V	1	-,-	1	-
11	2 610 902 302	Battery Charger 120V	1	-,-	1	33
12	2 610 315 835	Key	1	-,-	1	19
13	2 610 351 023	Support	1	-,-	1	11
14	2 610 351 034	Bearing	1	-,-	1	13
15	2 610 352 613	Pinion	1	-,-	1	11
16	2 610 907 640	Chuck	1	-,-	1	30
17	2 610 358 063	Cover	1	-,-	1	-

Illustration - Type E



Änderungen vorbehalten  
Modifications reserved  
Modificacions reserves  
Salvo modificaciones

F012213100  
Stand }  
Issue } 00-04-24  
**Fig./Abb. 1**

Information subject to change without further notice.