



# SERVICE PARTS LIST

**BULLETIN NO.**  
**54-06-2121**

SPECIFY CATALOG NO. AND SERIAL NO. WHEN ORDERING PARTS				REVISED BULLETIN	DATE
<b>M18™ UTILITY BUCKET LIGHT</b>				54-06-2120	May 2018
<b>CATALOG NO.</b>	<b>2122-20</b>	<b>STARTING SERIAL NO.</b>	<b>H72B</b>	WIRING INSTRUCTION	

**EXAMPLE:**  

00	0
----	---

 Component Parts (Small #) Are Included  
 When Ordering The Assembly (Large #).

★ = Part number change from previous service parts list.

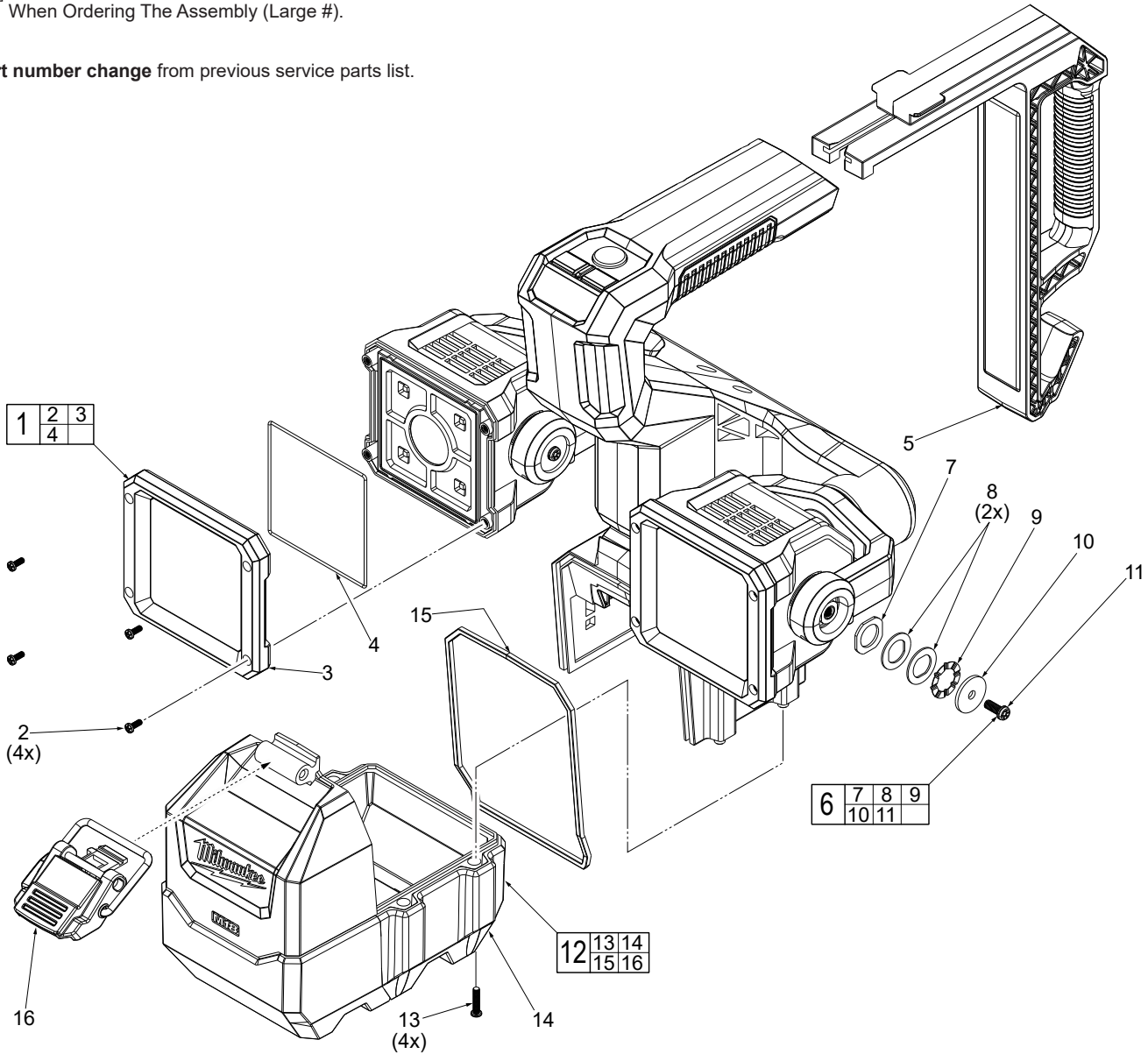


FIG.	PART NO.	DESCRIPTION OF PART	NO. REQ.	FIG.	PART NO.	DESCRIPTION OF PART	NO. REQ.
1	44-06-0185	Lens Kit (One per side)	(2)	★ 15	43-44-0096	Battery Door Gasket	(1)
2	-----	M3 x 8 Screw (Four per side)	(8)	★ 16	42-68-0066	Buckle Kit	(1)
3	-----	Lens w/ Bracket (One per side)	(2)	★ 17	42-55-2123	Light Bag (Not Shown)	(1)
4	-----	Lens Gasket (One per side)	(2)	18	12-20-2122	Service Nameplate (Not Shown)	(1)
5	14-34-0210	Handle Kit	(1)				
6	45-88-1835	Washer Kit (One per side)	(2)				
7	-----	Washer A (One per side)	(2)				
8	-----	Washer B (Two per side)	(4)				
9	-----	Washer C (One per side)	(2)				
10	-----	Washer D (One per side)	(2)				
11	-----	M5 x 12 Screw (One per side)	(2)				
★ 12	31-21-0116	Battery Door Kit	(1)				
13	-----	M5 x 16 Screw	(4)				
14	-----	Battery Door	(1)				

**FIG. NOTES**  
 18 A clean, dry surface is essential for proper performance for any adhesive system. The area intended for application of any adhesive label or nameplate must be prepared by cleaning with isopropyl alcohol. The solvent is to be applied with a clean, lint free applicator and the surface allowed to dry before applying the label or nameplate.