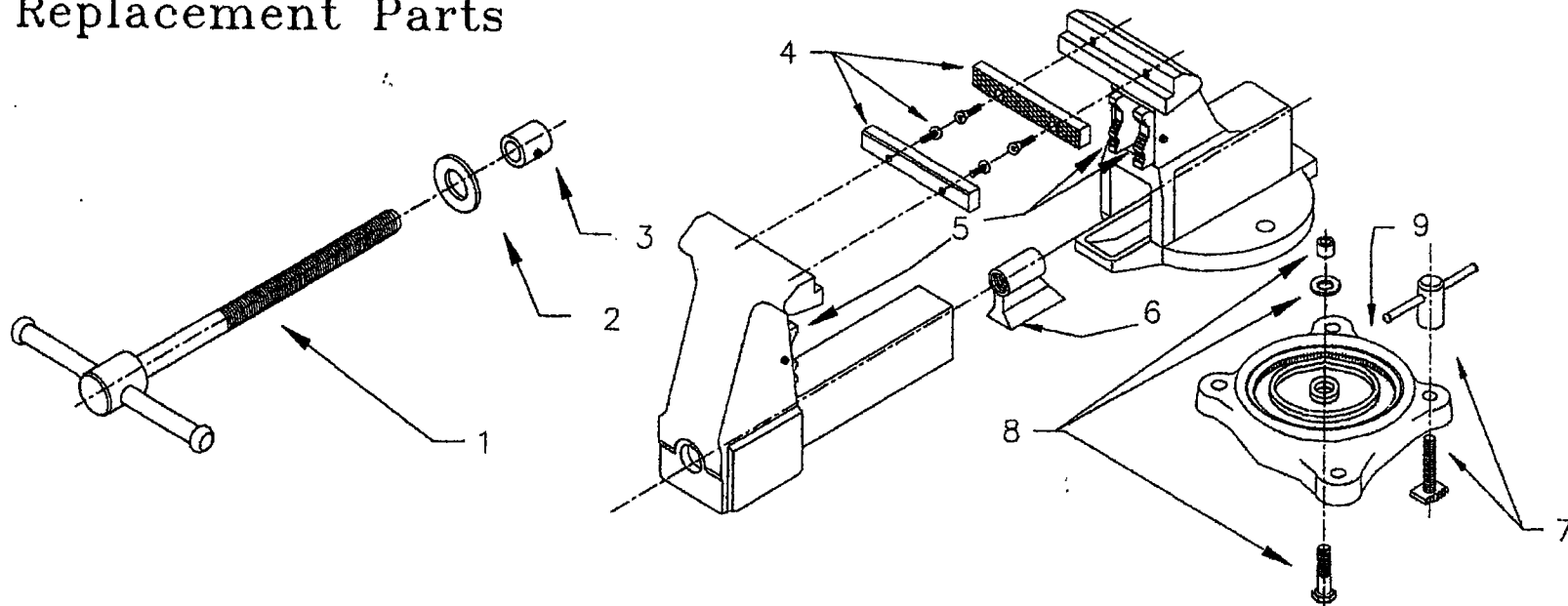


COLUMBIAN COMBINATION PIPE & BENCH VISES W/ SWIVEL BASES

Replacement Parts



WILTON MODEL NUMBER	WIDTH OF JAWS (ITEM #4)	ITEM #1 SPINDLE & HANDLE ASSEMBLY	ITEM #2 SPINDLE HEAD WASHER	ITEM #3 COLLAR WITH SET SCREW	ITEM #4 T-SLOT* JAW INSERTS W/SCREWS	ITEM #4a FLAT JAW INSERTS W/ SCREWS	ITEM #5 PIPE JAWS EACH (3) REQ'D	ITEM #6 SPINDLE NUT W/ PIN	ITEM #7 LOCK NUT AND BOLT ASSEMBLY	ITEM #8 CENTER SWIVEL BOLT	ITEM #9 OUTER RING ONLY
203-1/2	3 1/2"	10102S23	10102S24	10102S25	10102S41*		10403S46	NOT AVAIL.	10203S51	10203S50	10201S03
203-1/2 M2	3 1/2"	10102S23	10102S24	10102S25	10102S41*		10403S46	10102S04	10203S51	10203S50	10201S03
203-1/2 M3	3 1/2"	10102S23	10102S24	10102S25		10102S40	10403S46	10102S04	10203S51	10203S50	10201S03
204-1/2 M2	4 1/2"	10103S23	10103S24	10103S25	10104S41*		10404S46	10103S04	10203S51	10203S50	10204S03
204-1/2 M3	4 1/2"	10103S23	10103S24	10103S25		10104S40	10404S46	10103S04	10203S51	10203S50	10204S03
205	5 1/2"	10405S23	10106S24	10106S25	10405S41*		10405S46	NOT AVAIL.	10205S51	10205S50	10205S03
205 M2	5 1/2"	10405S23	10106S24	10106S25	10405S41*		10405S46	10106S04	10205S51	10205S50	10205S03
205 M3	5 1/2"	10405S23	10106S24	10106S25		10405S40	10405S46	10106S04	10205S51	10205S50	10205S03
206/206 M2	6"	10406S23	10406S24	10406S25	10106S41*		10405S46	10406S44	10205S51	10208S50	10406S03
206 M3	6"	10406S23	10406S24	10406S25		10106S40	10405S46	10406S44	10205S51	10208S50	10406S03

*T-Slot Jaws - Purchase from BeeJax 330-373-0500