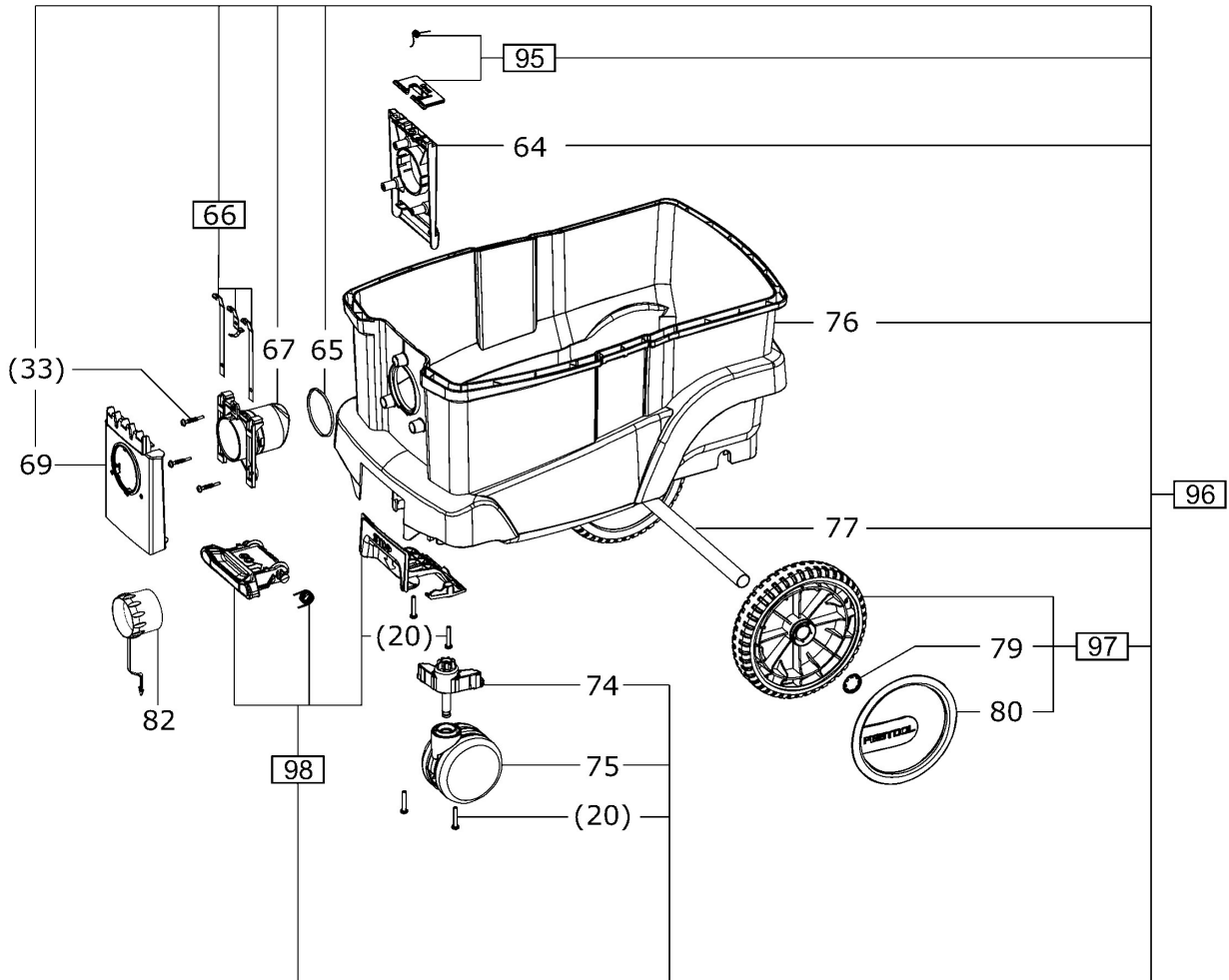
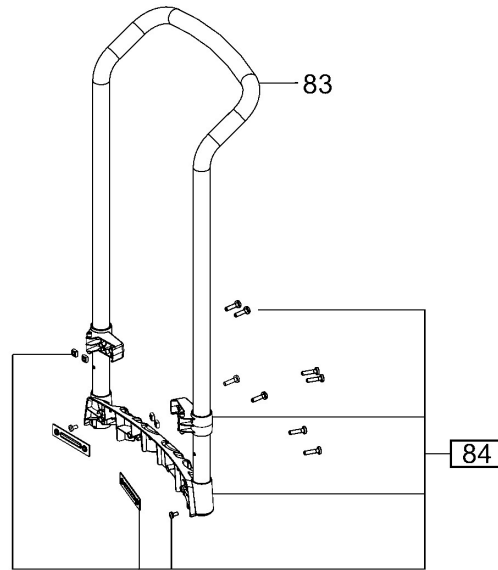
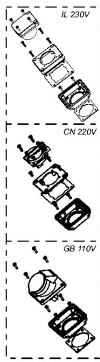
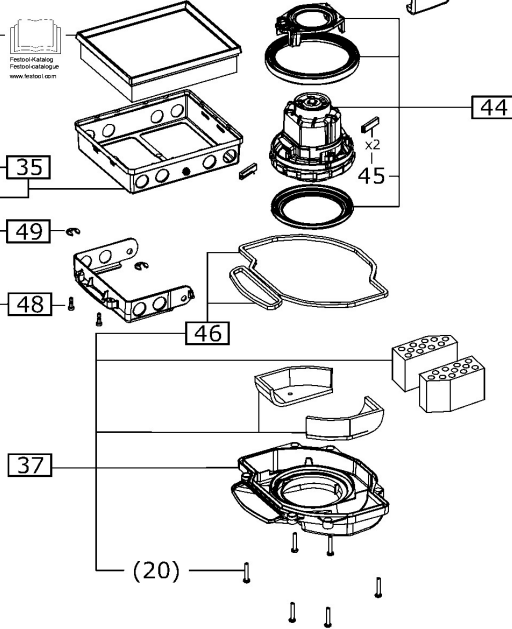
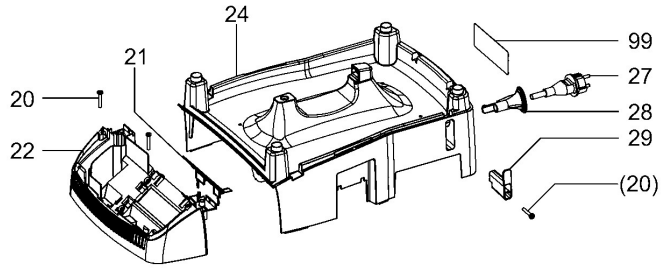
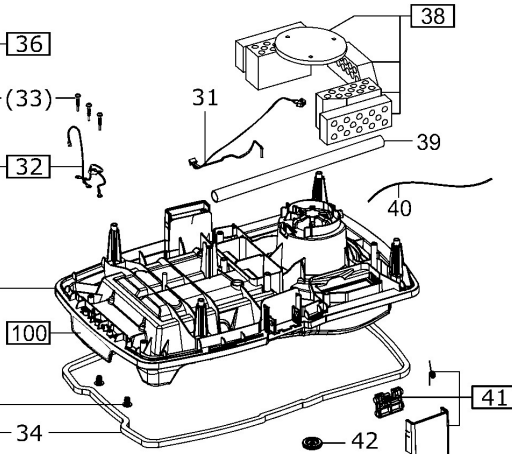
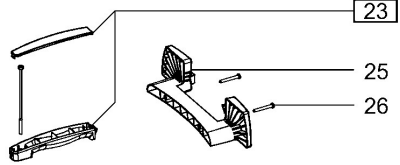
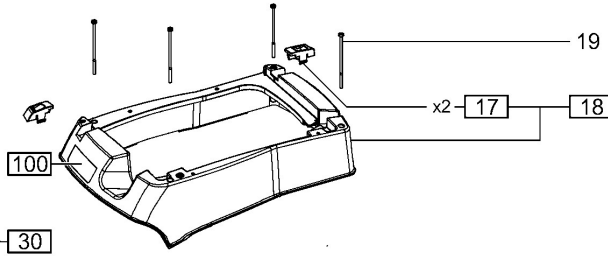
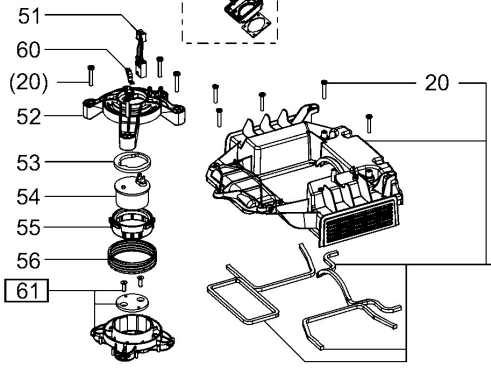
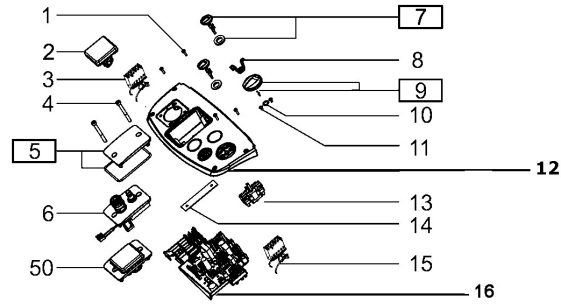


202148 - CT 26 E HEPA 120V

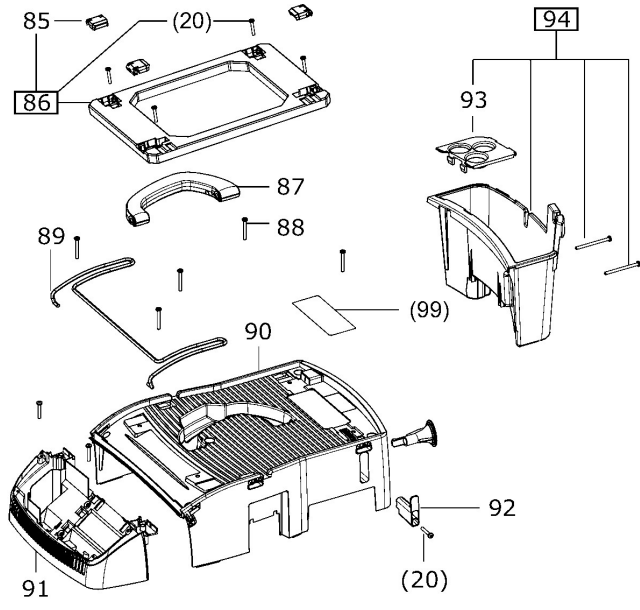




81



CT 36 E AC HD





 Festool Katalog

 Festool-Katalog.de

 www.festool.com

Pos	Part No.	Description	Quantity
1	452450	Raised-head screw 3,5 x 14 mm	4
2	704570	Socket USA	1
3	499491	Cable harness	1
4	476004	Cheese head screw	2
5	496234	Cover	1
7	496249	Rotary knob CT/CTL/CTM/CTH	1
7	496249	Rotary knob CT/CTL/CTM/CTH	2
9	496247	Rotary knob auto/man/off	1
10	452051	O-ring	1
11	452452	Flat head screw M4 x 8	2
12	496297	Screen CTL	1
13	201792	Conversion kit CT 26/36	1
14	200599	Board segment	3
15	200628	Cable harness	1
16	202317	Electronic 120V	1
17	496236	Clamp	1
18	204040	Hood	1
19	474911	Cheese head screw	5
20	452447	Raised-head screw 5,0 x 30 mm	20
21	200657		1
22	496238	Housing insert	1
23	496244	Grip	1
24	496243	Housing	1
25	203722	Cable holder	1
26	476795	Raised-head screw	2
27	200857	Cable with plug	1
28	200590	Inlet bush	1
29	200586	Cable clamp	1
30	496250	Suction hood	1
31	496252	Cable harness CT/CTL	1
32	496773	Flexible lead pack AUS / USA	1
33	467456	Raised-head screw	6
34	201007	Container seal	1
35	496255	Filter holder	1
36	201875	Filter housing	1
37	201975	Cover	1
38	496258	Noise insulation	1
39	200584	Cable bushing	1
40	200822	Cable harness	1
41	496262	Clamp	2
44	496270	Turbine 120V	1
45	496269	Carbon set 100-120V	1
46	496256	Seal kit	1
51	200889	Cable harness	1
52	200855	Holder	1
52	200887	Holder	1
53	200854	Dampening ring	1
54	200874	Solenoid	1
55	200853	Magnetic holder	1

55	xxx	No longer available	1
56	201004	Spring	1
60	200528	Spring plate	1
61	498828	Valve collar	1
64	200591	Holder	1
65	200574	Gasket	1
66	496221	Contact	1
67	200568	Sleeve	1
69	496223	Screen CT26	1
74	200593	Support Support	2
75	452840	Roller	2
76	496233	Container CT26	1
77	200571	Pipe	1
79	202484	Tooth ring	2
80	200570	Wheel cover	2
82	---	See catalogue	1
83	---	See catalogue	1
84	500252	Assembly set	1
85	200873	Locking latch	4
86	---	See catalogue	1
87	500318	Grip	1
88	452449	Raised-head screw 5,0 x 40 mm	6
89	35000546	Bracket	1
90	500320	Housing	1
91	500319	Housing insert	1
92	201023	Cable clamp	1
93	500321	Container	1
94	35000553	Container	1
95	500314	Bracket	1
96	500315	Container	1
96	500327	Container	1
96	500328	Container	1
97	500316	Wheel	1
98	500317	Pedal	1
99	700346	Warning plate	1
100	717485	Nameplate	1