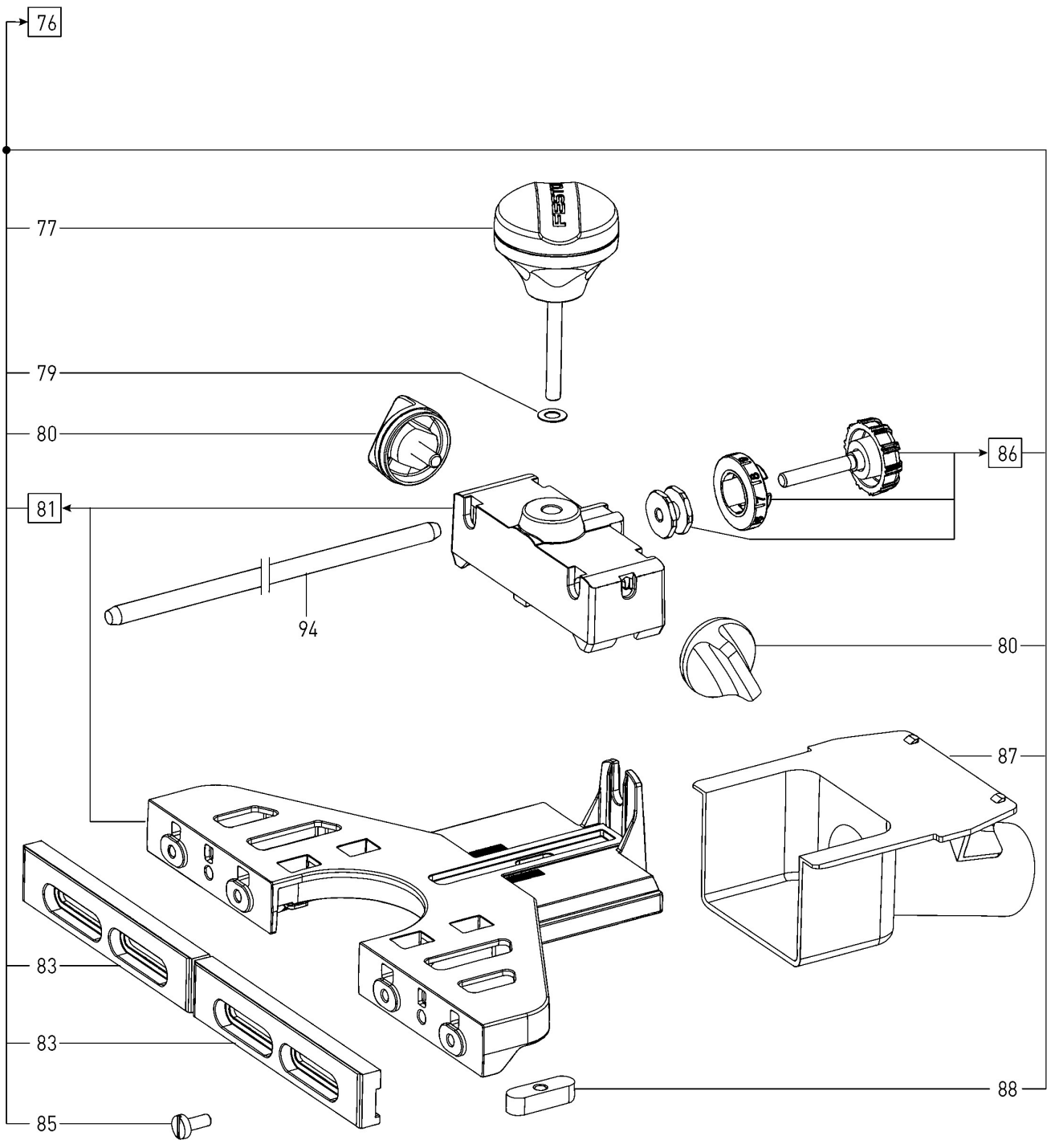


201147 - OF 1400 EQ-F 120V





Pos	Part No.	Description	Quantity
1	204660	Armature	1
2	492083	Field assembly 120V	1
3	492085	Switch 120V	1
4	---	See catalogue	1
5	491996	Socket housing 120V	1
6	400468	Raised-head screw 3,5 x 14 mm	7
7	462603	Housing cover	1
8	219031	Raised-head screw 3,5 x 10 mm	4
9	492084	Brush holder (pair) 120V	1
10	457920	Tachometer coil	1
11	462604	Holder	1
12	400725	Snap ring	2
13	10019601	Motor housing	1
14	462606	Pusher	1
15	228709	Raised-head screw 5,0 x 70 mm	2
16	203777	Compensating washer 14 x 21,8 x 0,3 mm	1
17	401524	Ball bearing	1
18	491353	Solenoid ring	1
19	462619	Air guide washer	1
20	462620	Fan	1
21	400636	Snap ring	2
22	462602	Part of grip	1
23	491995	Electronic 120V	1
24	491590	Grip	1
25	465166	Clamping element	1
26	462608	Axle	1
27	492416	Fine adjustment	1
28	200929	O-ring	1
29	228518	Washer	1
30	463998	Stop angle	1
31	400050	Raised-head screw M4 x 12	7
32	492004	Lever	1
33	492086	Depth stop	1
34	401191	Snap ring	1
35	462628	Washer	1
36	462621	Adjusting Knob	1
37	400220	Compensating washer 17,3 x 23,8 x 0,3 mm	1
38	462653	Bush	4
39	492003	Bearing flange	1
40	462615	Pressure spring	1
41	462616	Switch plate	1
42	462613	Flange bushing	1
43	228707	Raised-head screw 4 x 50 mm	4
44	400635	Ball bearing	1
45	465184	Gear	1
46	492001	Rocker	1
47	462611	Cover	1
48	494459	Collet D 6,0	1

48	494460	Collet D 8,0	1
48	494461	Collet D 10,0	1
48	494462	Collet D 12,0	1
48	494463	Collet D 6,35	1
48	494464	Collet D 9,53	1
48	494465	Collet D 12,7	1
49	451536	Threaded pin M5 x 25	1
50	451537	Threaded pin M5 x 30	1
51	451535	Threaded pin M5 x 20	1
52	400859	Cheese head screw M6 x 25	1
53	200578	Washer 6,4 mm	1
54	436300	Bush	1
55	436520	Stop	1
56	783305	Ball	1
57	436528	Pressure spring	1
58	436195	Rotary knob	1
59	10019109	Support	1
60	492007	Buckle	1
61	455791	Bolt	1
62	465842	Pressure spring	2
63	462668	Rotary knob	1
64	400643	Washer 6 x 12 x 0,1 mm	2
65	492006	Plate	1
66	400648	O-ring	1
67	444754	Pressure spring	1
68	462635	Clamp	1
69	462647	Adjustment washer	1
70	228738	Raised-head screw M4 x 10	2
71	462637	Plate	1
72	228737	Flat head screw M4 x 8	5
73	202471	Dust extraction attachment	1
74	772051	Open ended spanner SW 24 (->2008)	1
75	492635	Cap	1
76	492636	Parallel side fence	1
77	492412	Grip	1
79	228700	Spring disc	1
80	482110	Rotary knob	2
81	493183	Stop angle	1
83	463148	Jaws	2
85	400142	Raised-head screw M6 x 18 DIN 7985 PZV	4
86	492311	Thumbwheel	1
87	445497	Chip guard	1
88	465333	Nutenstein	1
89	465165	Collet	2
90	444127	Pressure spring	1
91	200861	Ball 3 mm	1
92	466390	Hood	1
93	---	See catalogue	1
94	463147	Rod	2
95	469725	Gasket	1
96	10019131	Scale	1

97	10277744	Washer	1
----	----------	--------	---