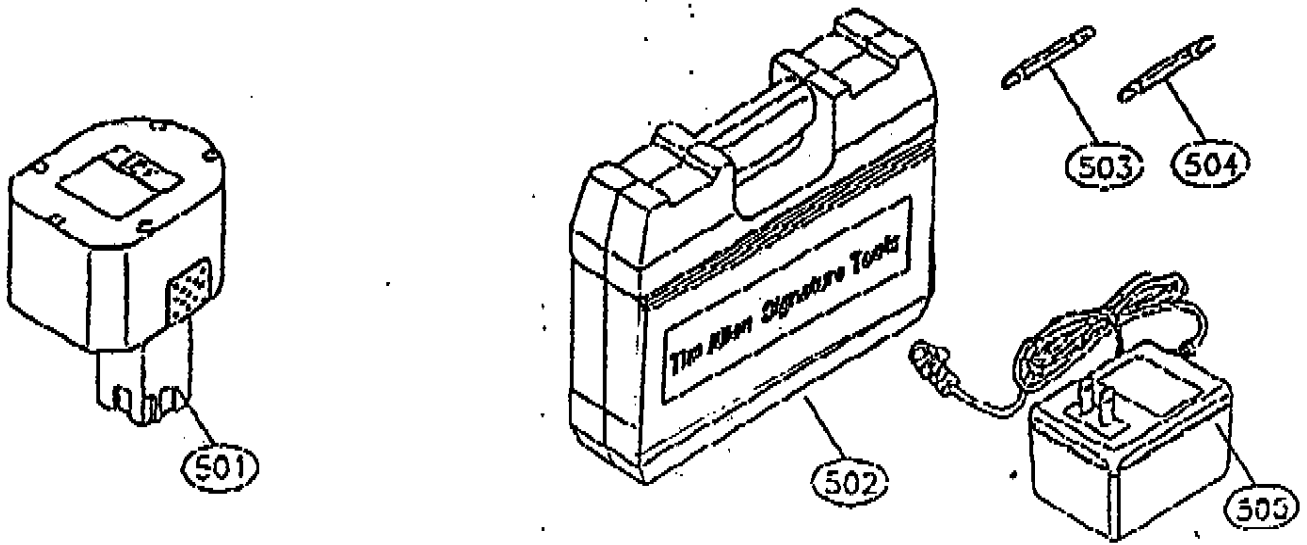
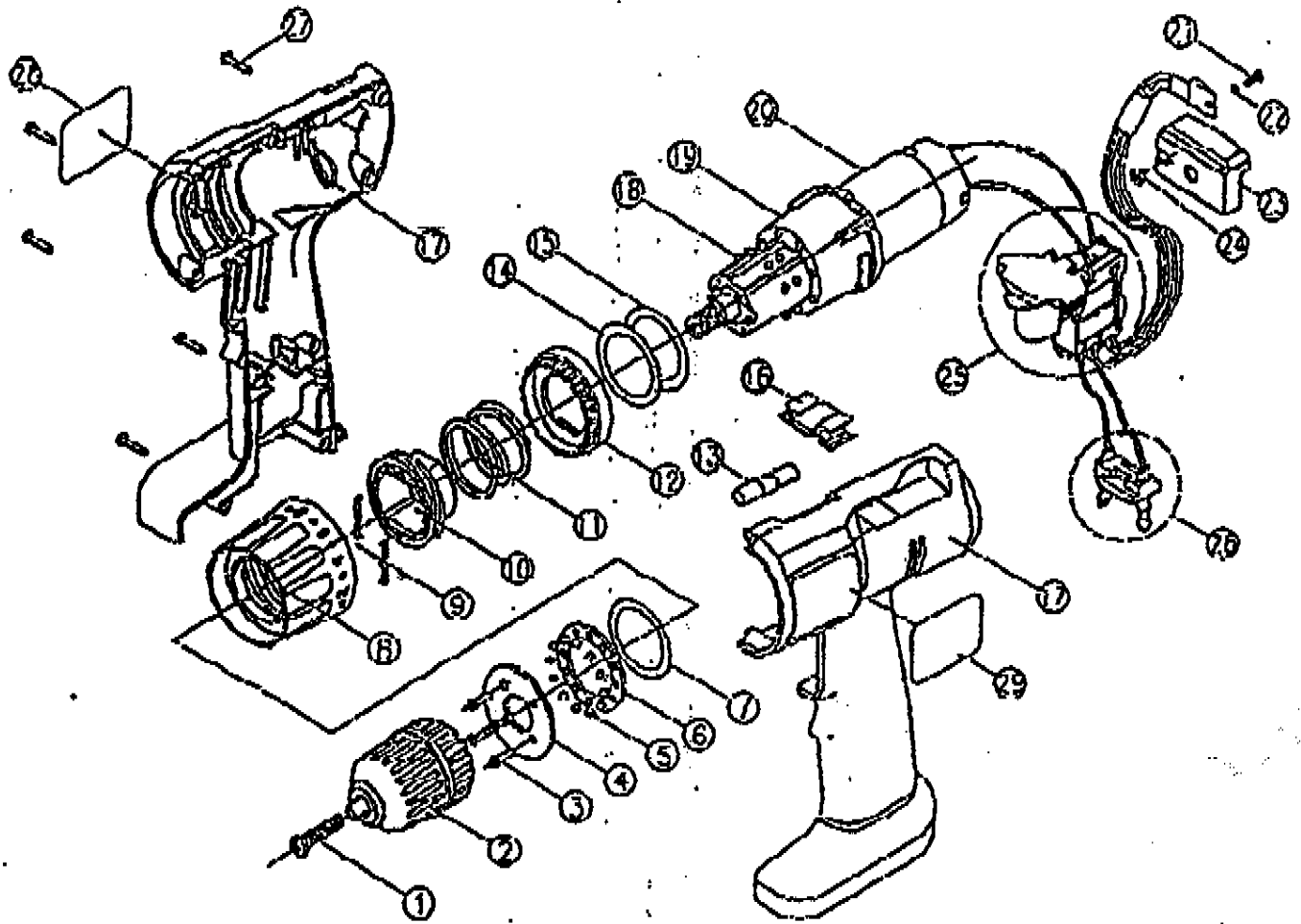


# 20008/20010

*TIM ALLEN*



**PARTS LIST FOR AFTER SALES SERVICE**  
**MODELS 20008/20010**

REF	PART NO.	DESCRIPTION	QTY	REF	PART NO.	DESCRIPTION	QTY
1	1130049	SCREW M5X0.8X26MM	1	<b>STANDARD ACCESSORIES</b>			
2	1940015	CHUCK	1	501	20013	BATTERY PACK-20008	2
3	1130302	SCREW M3X14	4		20014	BATTERY PACK-20010	2
4	4900094	MOUNTING PLATE	1	503	4770042	CARRYING CASE	1
5	1290C21	STEEL BALL 3MM	8	504	4240014	DOUBLE BIT PH #2/SLOT#6	1
6	4190002	BALL HOLDER, PLASTIC	1	505	4240015	DOUBLE BIT PH #3/SLOT#7	1
7	4900095	WASHER	1	506	DU41110040C	ADAPTOR 120V-20008	1
8	4900117	CLUTCH CAP	1		SA41-400A	ADAPTOR 120V-20010	1
9	4180026	SPRING PLATE	2				
10	4900097	PLASTIC SLEEVE	1				
11	4180030	TORQUE SPRING	1				
12	4360009	LOCATION CUP, PLASTIC	1				
13	4950034	LEVELLER ASSY	1				
14	4900099	CLUTCH WASHER	1				
15	4900104	STAINLESS WASHER	1				
16	4360006	BIT HOLDER, PLASTIC	1				
17	4800046	HOUSING-20008	1				
	4800047	HOUSING-20010					
18	4750013	BALL,STEEL 4.0MM	16				
19	4050010	GEAR BOX	1				
20	4030014	MOTOR ASSY-20008	1				
	4030015	MOTOR ASSY-20010	1				
21	1130050	STEEL M3X8MM	1				
22	4900103	SPRING WASHER	1				
23	4590010	HEAT SINK	1				
24	4130280	STEEL HEX NUT	1				
25	4550043	SWITCH ASSY 20008	1				
	4550044	SWITCH ASSY 20010	1				
26	4560028	PLATE HOLDER ASSY	1				
27	1130304	SET SCREW M3.5X16MM	8				
28	4910063	RATING LABEL-20008	1				
	4910065	RATING LABEL-20010	1				
29	4910062	BRAND LABEL-20008	1				
	4910062	BRAND LABEL-20010	1				

**SERVICE NOTES**