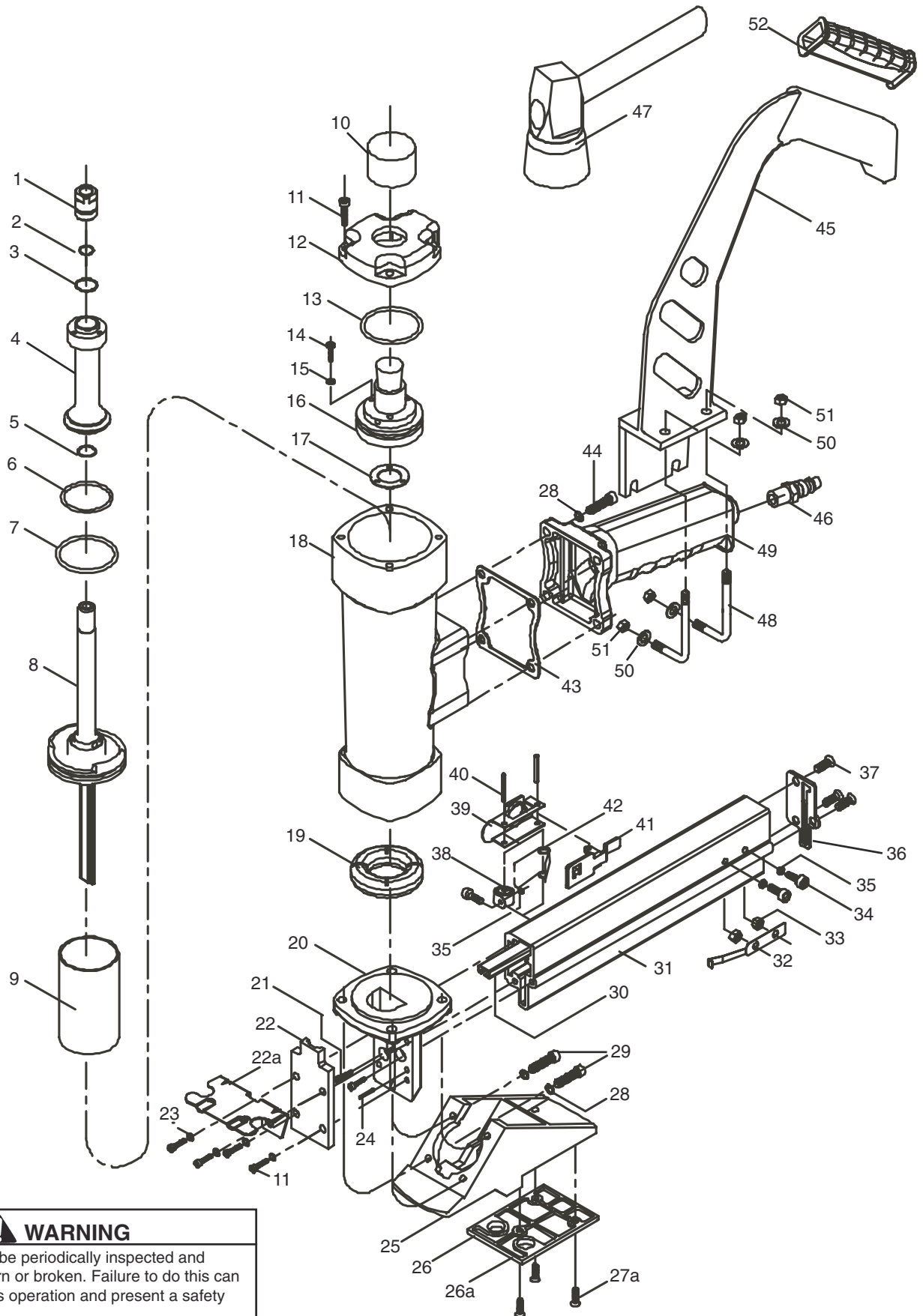


EXPLODED VIEW

L Cleat Nailer #502190



WARNING

All parts must be periodically inspected and replaced if worn or broken. Failure to do this can affect the tool's operation and present a safety hazard.

PARTS LEGEND

L Cleat Nailer - 502190

Key#	Part#	Description	Key#	Part#	Description
1	501783	Plunger	27a	501809	Screw
2	501784	O-Ring	28	501810	Spring Washer
* 3	501785	O-Ring	29	502114	Screw
4	501786	Poppet	30	502208	Rail
* 5	501787	O-Ring	31	502209	Magazine
* 6	501788	O-Ring	32	502211	Spring
* 7	501789	O-Ring	33	502212	Nut
8	502202	Piston Assembly	34	502213	Screw
9	501791	Cylinder Bushing	35	502214	Washer
10	501792	Hammer Face	36	502215	Magazine Cap
11	501793	Screw	37	502216	Screw
12	501794	Cylinder Cap	38	502217	Coil Spring Assembly
* 13	501795	O-Ring	39	502218	Bracket
14	501796	Screw	40	502219	Lock Pin
15	501797	Spring Washer	41	502220	Feeder Shoe
16	501798	Poppet Actuator	42	502221	Torsion Spring
* 17	501799	Gasket	43	501826	Seal
18	501800	Body	44	501827	Screw
* 19	501801	Bumper	45	502196	Arm
20	502203	Nose	46	501829	Air Plug
21	501803	Screw	47	219297	Mallet
22	502204	Blade Guide	48	502197	Clamp Screw
22a	502205	Baffle Plate	49	502198	Short Arm
23	502206	Spring Washer	50	502199	Washer
24	502207	Spring Pin	51	502201	Nut
25	502111	Shoe	52	502252	Soft Grip Sleeve
26	501808	Spacer-installed for 3/4" flooring			
26a	501996	Spacer-included for 1/2" flooring			

SAFETY INSTRUCTIONS

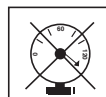
WEAR EYE AND HEARING PROTECTION



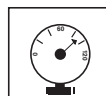
Always wear hearing protection and eye protection devices, including side shields when operating or working in the vicinity of a tool.



DO NOT EXCEED MAXIMUM RECOMMENDED AIR PRESSURE



Operate the tool using only the recommended air pressure. Do not exceed the maximum air pressure marked on the tool. Be sure the air pressure gauge is operating properly and check it at least twice a day.



Never use any bottled air or gases such as oxygen to operate the tool since they could cause the tool to explode.

* Denotes Normal Wear Items.

→ Denotes New Change