



BOSCH

Angle Grinder

1974-8 | 3 601 H90 N10

Table of Content

Spare parts list.....	2
Illustration - Type.....	4

Angle Grinder | 1974-8 | 3 601 H90 N10

Spare parts list

Item	Part Number	Description	Illustration
1	1 605 108 264	Motor Housing BLUE	1
5	1 604 460 133	Power supply cord USA/CDN 2,15m 2 x 2,08mm SJ 14/2	1
6	1 600 703 036	Grommet Ø10,5-Ø11,0x100 MM	1
7	1 601 302 018	Fastening Clamp	1
8	1 601 11A 155	Nameplate	1
9	1 601 118 R97	Manufacturer's nameplate 1974-8	1
13	1 600 905 034	groove ball bearing 9x26x8	1
14	1 600 905 035	groove ball bearing 12x37x12	1
23	1 605 500 266	Cover BLACK	1
24	1 605 132 19K	Handle	1
29	1 600 210 045	O-Ring 8,0x1,0 MM	1
30	1 600 591 041	Air Distributor	1
31	1 600 591 05U	Air-Deflector Ring	1
33	1 600 290 064	Rotary shaft lip seal 16 MM BLUE	1
38	1 600 206 037	Rubber Ring	1
43	1 605 500 264	Sealing cap BLACK	1
44	1 605 500 265	Sealing cap BLACK	1
50	1 602 388 036	Cable routing	1
51	1 600 200 031	Plain bearing Ø14 MM	1
53	1 605 190 068	Socket Housing	1
60	1 603 435 023	Thread-forming tap. Screw TT M5x18 MM	1
61	1 603 490 005	Torx Oval-Head Screw	1
63	1 603 410 014	Pan head screw M4x10 MM	1
64	2 603 490 021	Torx Oval-Head Screw 4x12	1
65	2 603 490 023	Torx Oval-Head Screw 4x20	1
66	2 910 211 019	Tapping Screw DIN 7971-ST3,9x16-F	1
68	1 601 006 011	Sealing Plate	1
75	1 600 290 060	Damper	1
76	1 603 414 025	Collar Screw	1
131	1 601 118 R92	Manufacturer's nameplate	1
802	1 600 A01 ZG6	Field assembly	1
803	1 604 010 BG9	Armature	1
804	1 607 000 704	On-Off Switch	1
810	1 607 014 194	Carbon-Brush Set	1

Spare parts list

Item	Part Number	Description	Illustration
816	1 604 336 053	Brush Holder	1
821	1 607 000 C17	Gear Housing	1
835	1 606 610 150	Fan	1
840	1 607 000 431	Push-Button	1
846	1 607 000 432	Retaining Washer	1
851	2 600 910 001	Needle-Roller Bearing Ø14 MM	1
28	1 600 210 033	O-Ring 79,0x1,78 MM	2
32	1 600 290 019	Retaining snap ring	2
34	1 600 190 020	Shim 0,15 MM THICK	2
34	1 600 190 021	Shim 0,3 MM THICK	2
34	1 600 190 022	Shim 0,1 MM THICK	2
34	1 600 190 037	Shim 0,2 MM THICK	2
34	1 600 190 038	Shim 0,25 MM THICK	2
34	1 600 190 039	Shim 0,35 MM THICK	2
34	1 600 190 040	Shim 0,4 MM THICK	2
35	1 600 205 034	Felt Washer	2
37	1 600 290 036	Seal Ring BLACK	2
45	1 603 300 019	Hex Nut M10, SW14	2
69	2 916 650 905	Spring retaining ring	2
78	1 619 P09 476	O-Ring	2
79	1 600 A01 KK9	Locking Washer	2
822	1 607 000 CP1	Bearing Flange	2
823	1 605 808 OED	Bearing Flange	2
825	1 607 000 CU6	Grinding Spindle	2
826	1 600 A02 4YV	Bevel Gear Set	2
651	1 605 510 410	Protective Cover 7"	3
660	1 602 025 051	Auxiliary Handle M14 BLACK	3
891	1 602 025 0A1	Auxiliary Handle	3
892	1 607 950 062	Pin-Type Face-Wrench	3
893	3 603 340 501	Clamping-Flange 5/8"-FL+B	3
894	3 603 340 503	Round Nut 5/8"	3

Illustration - Type - E

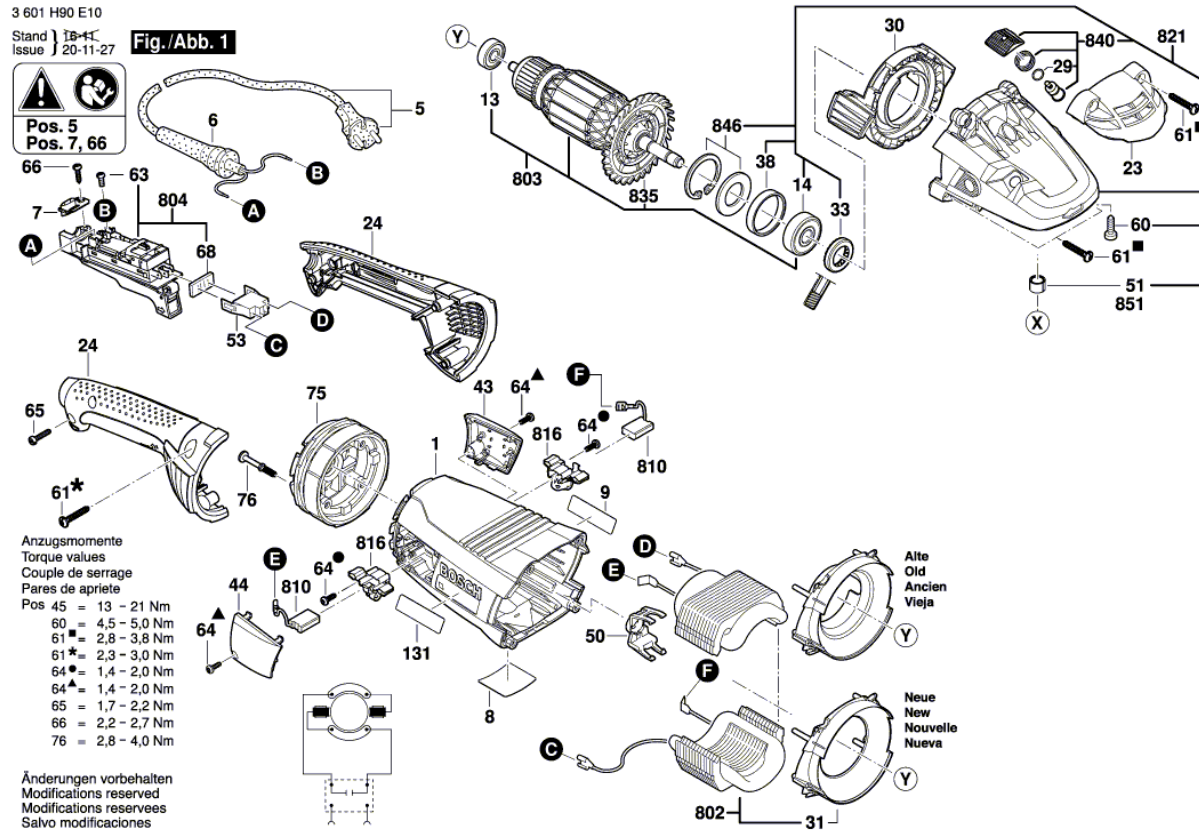
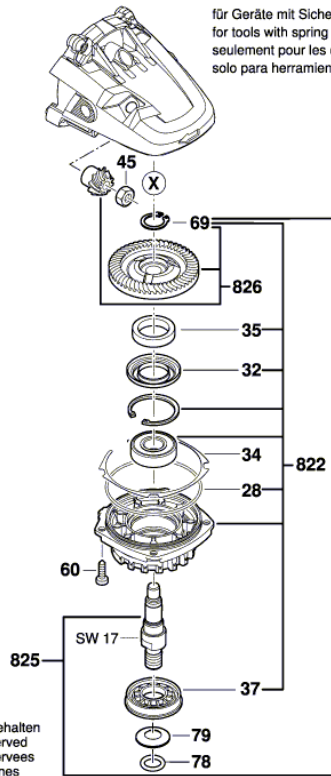


Illustration - Type - E

3 601 H90 E10
 Stand } 20-12-01
 Issue } **Fig./Abb. 2**

für Geräte mit Sicherungsring
 for tools with spring retaining ring
 seulement pour les outils avec anneau de retenue
 solo para herramientas con anillo de seguridad



Änderungen vorbehalten
 Modifications reserved
 Modifications reserves
 Salvo modificaciones

für Geräte ohne Sicherungsring
 for tools without spring retaining ring
 seulement pour les outils sans anneau de retenue
 solo para herramientas sin anillo de seguridad

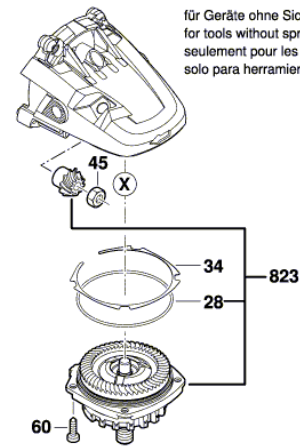
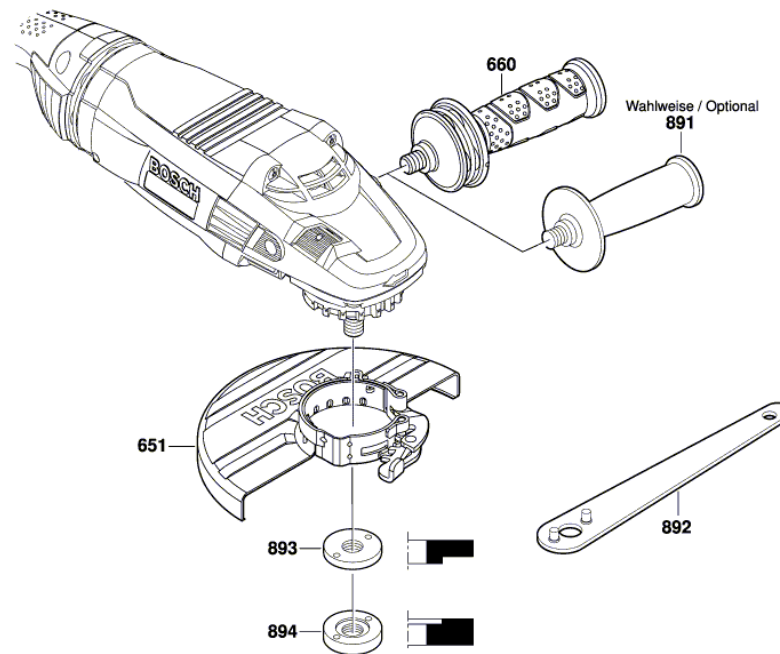


Illustration - Type - E

3 601 H90 E10
Stand } 20-11-27
Issue } **Fig./Abb. 3**



Änderungen vorbehalten
Modifications reserved
Modificaciones reserves
Salvo modificaciones