

## Cordless Fabric Saw - 0 601 925 139 - 1925 A

www.powertools-aftersaleservice.com

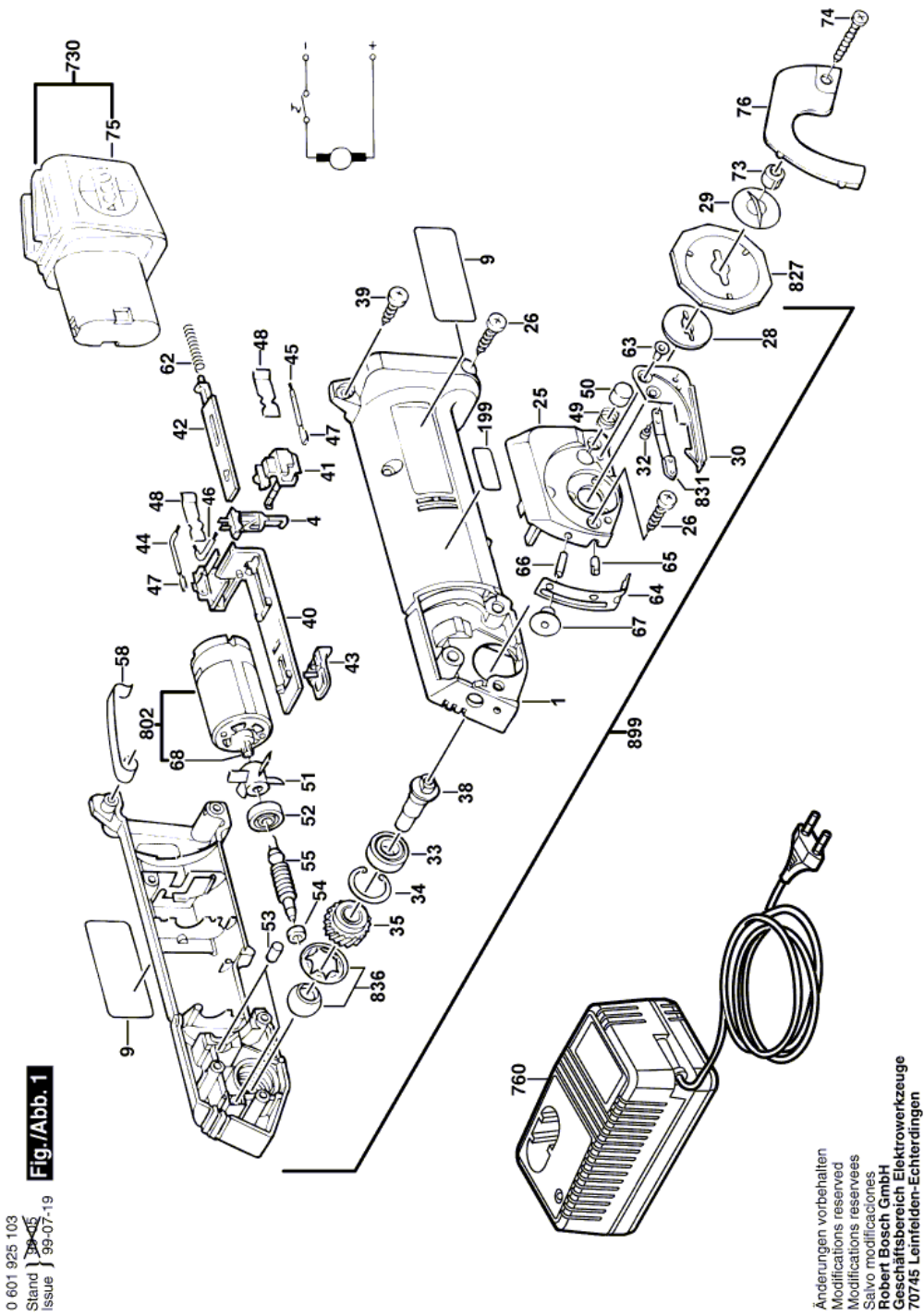


**BOSCH**

Item	Part Number	Description	Illustration	Price	Quantity	Price Group
1	2 605 104 227	Housing Section BLUE	1	-,-	1	29
4	2 607 200 196	On-Off Switch	1	-,-	1	25
9	2 601 116 150	Manufacturer's nameplate	1	-,-	1	-
25	2 605 806 394	Bearing Housing	1	-,-	1	33
26	2 603 490 023	Torx Oval-Head Screw 4x20	1	-,-	4	10
28	2 606 440 000	Driver Disc	1	-,-	1	15
29	2 603 490 000	Pan head screw	1	-,-	1	23
30	2 608 042 013	Blade Holder	1	-,-	1	36
32	2 603 430 002	Round-Head Screw	1	-,-	2	12
33	3 600 905 039	groove ball bearing 9x24x7 MM	1	-,-	1	24
34	2 916 660 008	Spring retaining ring DIN 472-24x1,2 MM	1	-,-	1	11
35	2 606 329 001	Cylindrical Gear Z=33	1	-,-	1	26
38	2 603 124 043	Output Shaft	1	-,-	1	36
39	2 603 490 022	Screw 4x16	1	-,-	1	10
40	2 608 018 003	Contact retainer	1	-,-	1	12
41	2 608 018 001	Contact retainer	1	-,-	1	13
42	2 601 099 028	Adjusting Slide BLUE	1	-,-	1	14
43	1 602 026 060	Switch Handle GRAY	1	-,-	1	12
44	2 604 412 019	Cable	1	-,-	1	11
45	2 604 412 020	Cable	1	-,-	1	11
46	2 604 412 021	Connecting Cable L = 52 MM WHITE	1	-,-	1	11
48	2 601 324 012	Contact Spring	1	-,-	2	14
49	2 604 616 003	Compression Spring	1	-,-	1	10
50	2 603 212 001	Lubricating Felt	1	-,-	1	10
51	2 606 610 052	Fan	1	-,-	1	15
52	1 900 905 019	groove ball bearing 6x19x6	1	-,-	1	26
53	1 603 100 036	Rubber Buffer	1	-,-	2	11
54	1 900 301 403	Sintered-Metal Bushing 4x8x4 MM	1	-,-	1	21
55	2 606 338 001	Drive Shaft	1	-,-	1	36
58	2 601 251 003	Holding Spring Ø8,7 MM	1	-,-	1	14
62	1 604 611 026	Compression Spring	1	-,-	1	10
63	2 910 541 118	Countersunk-Head Screw DIN 7991-M4x8-8.8	1	-,-	2	14
64	2 605 510 057	Protecting Cover	1	-,-	1	14

Item	Part Number	Description	Illustration	Price	Quantity	Price Group
65	2 912 031 120	Set screw DIN 551-M4x10-5.8	1	-,-	1	10
66	2 912 031 128	Set screw DIN 551-M4x18-5.8	1	-,-	1	10
67	2 915 111 004	Knurled Nut DIN 466-M4x5MM	1	-,-	1	19
68	2 606 316 112	Pinion Z=11	1	-,-	1	16
73	2 600 320 001	Spacer Bushing	1	-,-	1	15
74	2 603 490 025	Torx Oval-Head Screw 4x30	1	-,-	1	10
76	2 605 510 058	Guard Plate	1	-,-	1	21
199	2 601 116 151	Reference Plate	1	-,-	1	-
730	2 607 335 176	Slide-In Accu Package 9,6V,1,7Ah,NiCd	1	-,-	1	-
755	2 607 000 087	Strip Cutter	N/A	-,-	1	-
756	2 607 000 088	Edge Cutter	N/A	-,-	1	-
760	2 607 224 431	Fast Charger USA 120/7,2-24V, 1h	1	-,-	1	48
760	2 607 224 708	Fast Charger USA 120/7,2-14,4V, 30 MIN.	1	-,-	1	-
802	2 607 022 924	DC motor 9,6V	1	-,-	1	31
827	2 608 635 126	Upper Blade	1	-,-	1	-
831	2 608 635 125	Lower Blade	1	-,-	1	-
836	2 607 001 084	Parts Set	1	-,-	1	20

Illustration - Type E



Information subject to change without further notice.