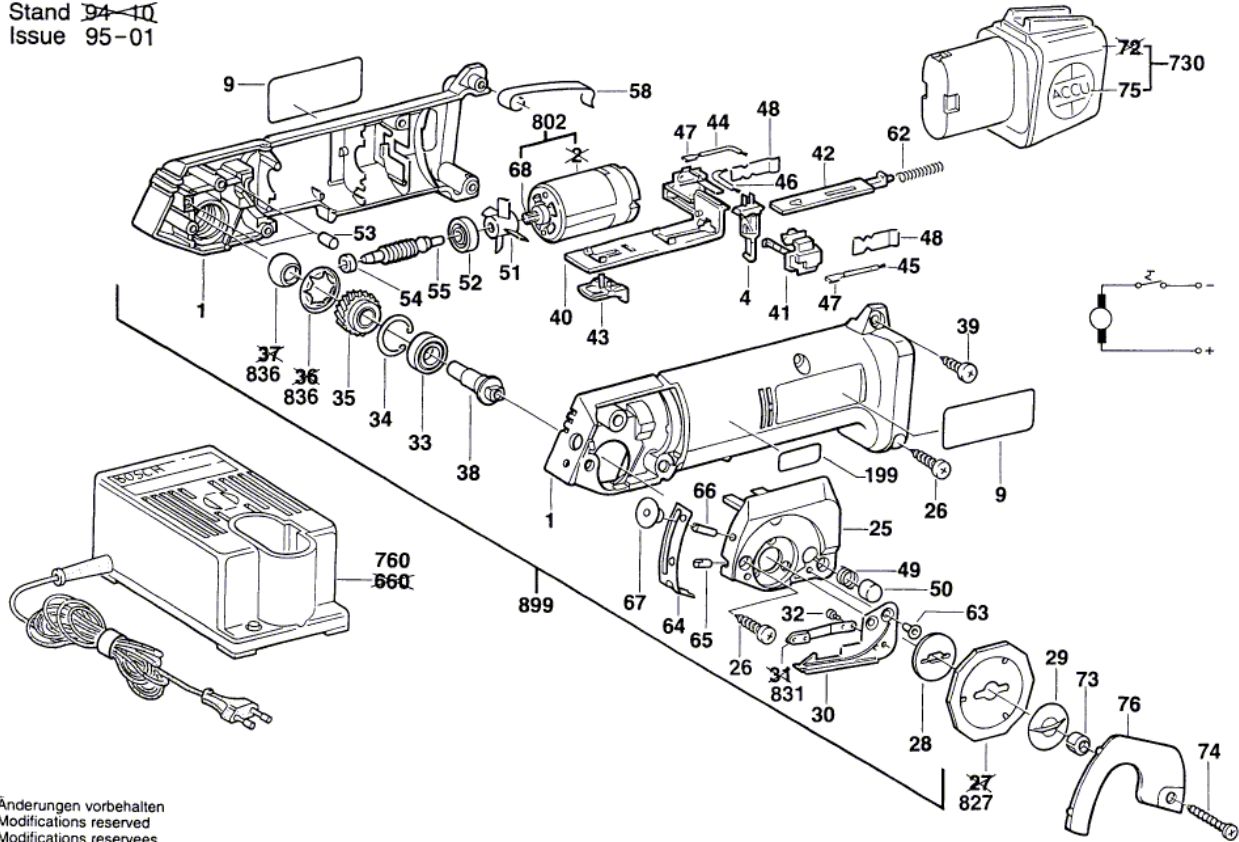


Typ 0 601 925 0... = GUS 7,2V

Stand ~~94-10~~
Issue 95-01



Änderungen vorbehalten
Modifications reserved
Modifications reserves
Salvo modificaciones
Robert Bosch GmbH
Geschäftsbereich Elektrowerkzeuge
70745 Leinfelden-Echterdingen

Pos.	Part Number	Description	Pos.	Part Number	Description
1	2 605 104 227	Housing Section			
4	2 607 200 196	On-Off Switch			
9	2 601 110 816	Sticker			
25	2 605 806 394	Bearing Housing			
26	2 603 490 023	Lens Head Screw			
28	2 606 440 000	Driver Disc			
29	2 603 490 000	Pan head screw			
30	2 608 042 013	Blade Holder			
32	2 603 430 002	Round-Head Screw			
33	3 600 905 039	Deep-Groove Ball Bearing			
34	2 916 660 008	Spring retaining ring			
35	2 606 329 001	Cylindrical Gear			
38	2 603 124 043	Output Shaft			
39	2 603 490 022	Torx Oval-Head Screw			
40	2 608 018 003	Contact retainer			
41	2 608 018 001	Contact retainer			
42	2 601 099 028	Adjusting Slide			
43	1 602 026 060	Switch Handle			
44	2 604 412 019	Cable			
45	2 604 412 020	Cable			
46	2 604 412 021	Connecting Cable			
48	2 601 324 012	Contact Spring			
49	2 604 616 003	Compression Spring			
50	2 603 212 001	Lubricating Felt			
51	2 606 610 052	Fan			
52	1 900 905 019	Deep-Groove Ball Bearing			
53	1 603 100 036	Rubber Buffer			
54	1 900 301 403	Sintered-Metal Bushing			
55	2 606 338 001	Drive Shaft			
58	2 601 251 002	Holding Spring			
62	2 604 610 024	Compression Spring			
63	2 910 541 118	Countersunk-Head Screw			
64	2 605 510 057	Protecting Cover			
65	2 912 031 120	Set screw			
66	2 912 031 128	Set screw			
67	2 915 111 004	Knurled Nut			
68	2 606 316 112	Pinion			
73	2 600 320 001	Spacer Bushing			
74	2 603 490 025	Torx Oval-Head Screw			
75	2 601 110 461	Sticker			
76	2 605 510 058	Guard Plate			
730	2 607 300 001	Slide-In Accu Package			
760	2 607 224 431	Fast Charger			
760	2 607 224 708	Fast Charger			
802	2 607 022 903	DC motor			
827	2 608 635 126	Upper Blade			
831	2 608 635 125	Lower Blade			
836	2 607 001 084	Parts Set			
899	0 601 925 023				
899	0 601 925 061				