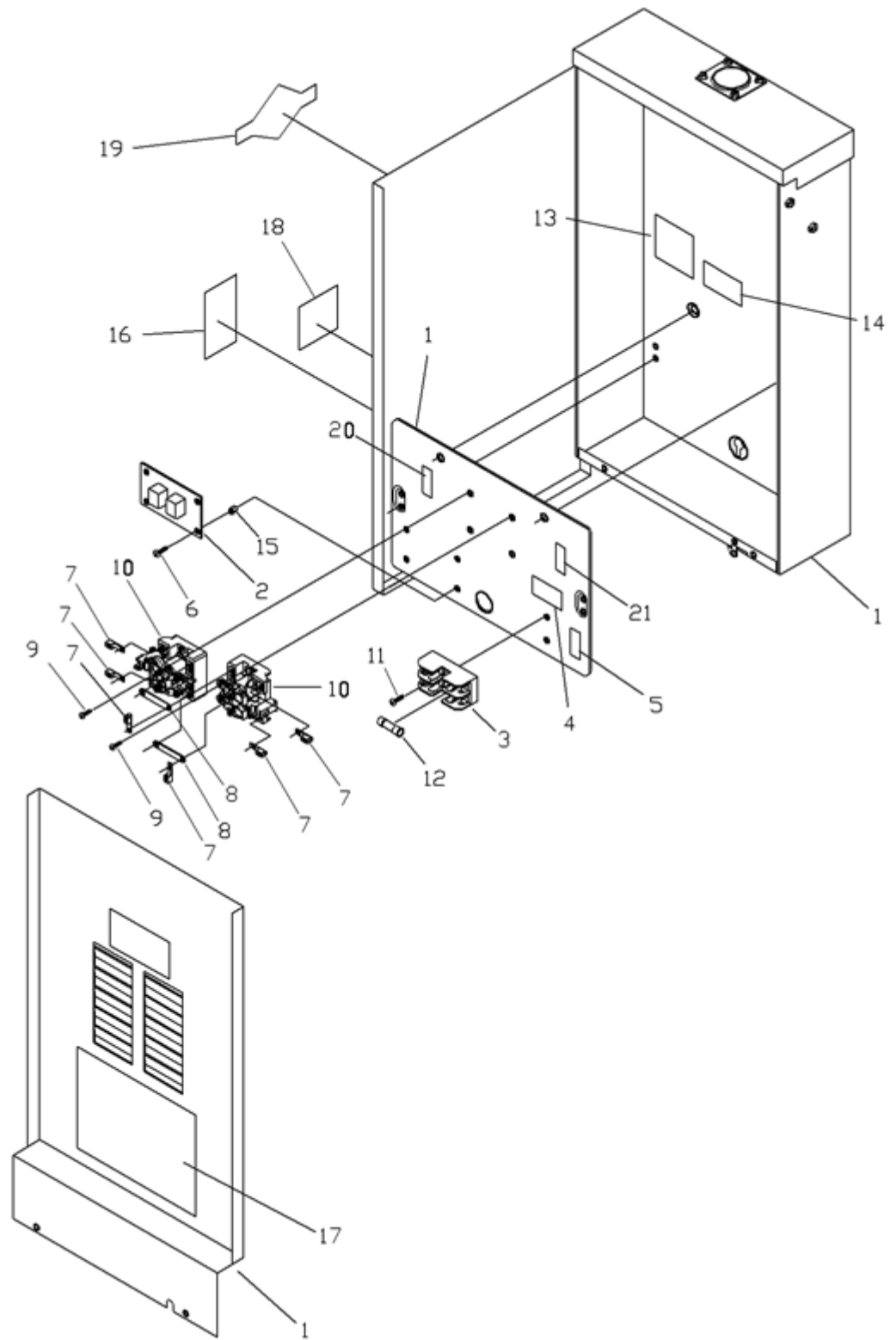


Model 01918



Ref #	Part #	Description	Context Note	Foot Note
1	NSP	LOADCENTER		
2	192909GS	CONTROL BOARD		
3	192151GS	HOLDER, Fuse		
4	190984GS	DECAL, Fuse		
5	192597GS	DECAL, Utility, 240VAC		
6	193626GS	TAPTITE, #6 - 32 x 5/8"		
7	B4854GS	TERMINAL, SLS, 14-6 AWG		
8	189916GS	BAR, BUS, Copper		
9	194205GS	TAPTE, #8 - 32 x 5/8`		
10	185891GS	RELAY, 50 Amp		
11	193239GS	TAPTITE, #6-32 x 1/4"		
12	B4857GS	FUSE, 2A		
13	190983GS	DECAL, Torque		
14	190982GS	DECAL, Lug		
15	192701GS	SPACER, 5/16" OD		
16	190992GS	DECAL, Warning		
17	192713GS	DECAL, 50A, ATS		
18	192714GS	DECAL, Identification		
19	198136GS	DECAL, Logo		
20	B5106GS	DECAL, Utility Connection		
21	B5107GS	DECAL, Gen. Connection		
	189883GS	BREAKER, Circuit, 15A	Parts Not Illustrated	
	189883AGS	BREAKER, Circuit, 20A	Parts Not Illustrated	