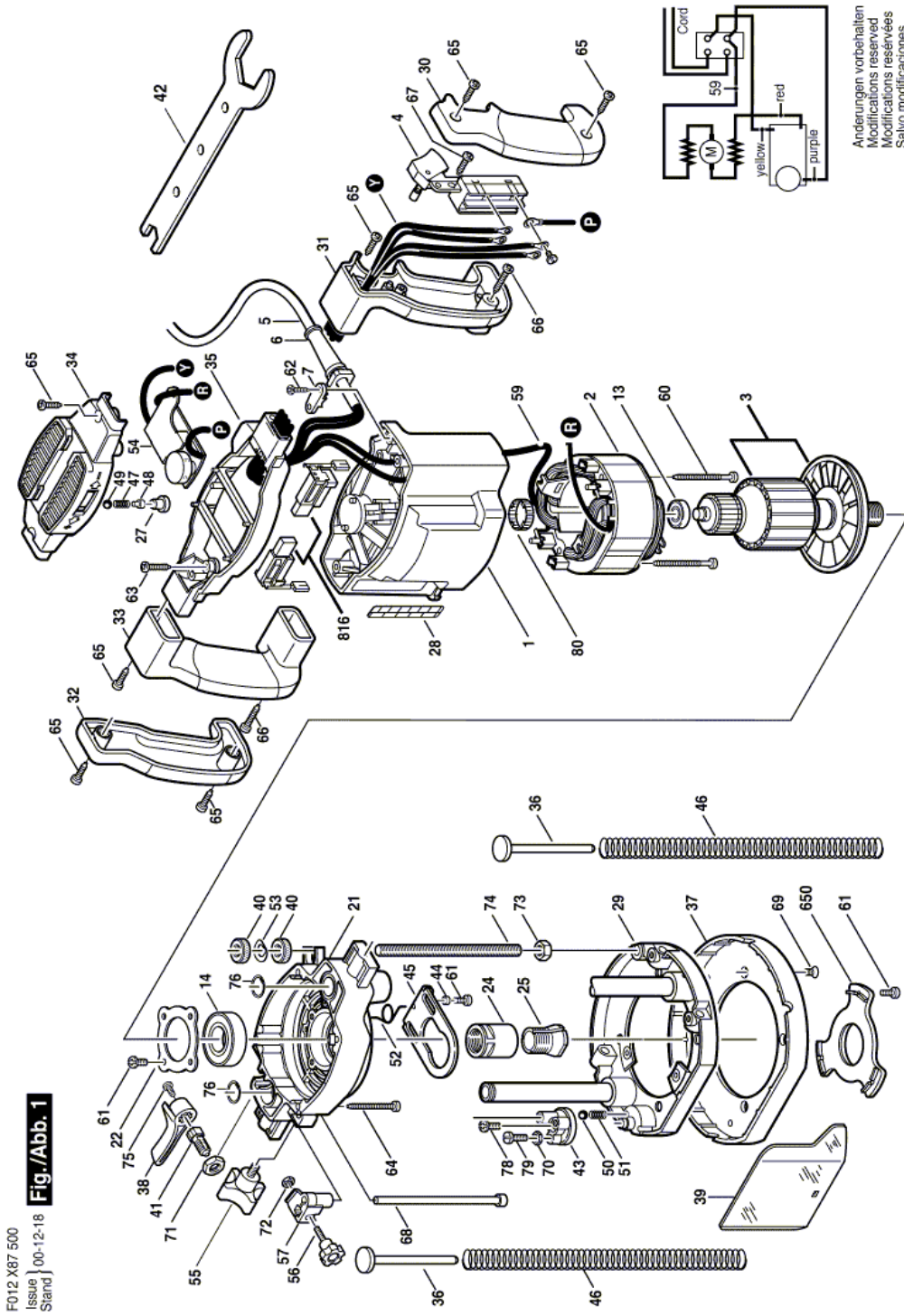


Router - F 012 X87 500 - 1875 TYPE 1

Item	Part Number	Description	Illustration	Price	Quantity	Price Group
1	2 610 905 333	Housing	1	-,-	1	25
2	2 610 355 673	Pole Shoe 120V	1	-,-	1	-
3	2 610 355 675	Armature 120V	1	-,-	1	-
4	2 610 329 995	On-Off Switch	1	-,-	1	-
5	2 610 904 118	Power supply cord	1	-,-	1	-
6	2 610 313 327	Grommet	1	-,-	1	14
7	2 610 364 033	Cable Clip	1	-,-	1	13
13	1 619 P01 511	Ball Bearing	1	-,-	1	19
14	2 610 018 923	Deep-Groove Ball Bearing	1	-,-	1	24
21	2 610 355 665	Bearing cover	1	-,-	1	36
22	2 610 355 669	Bearing Holder	1	-,-	1	16
24	2 610 355 680	Clamping Nut	1	-,-	1	33
25	2 610 355 691	Collet 1/2"	1	-,-	1	37
25	2 610 355 693	Collet 1/4"	1	-,-	1	37
27	2 610 350 655	Rubber Buffer	1	-,-	2	11
28	2 610 353 149	Reference Plate	1	-,-	1	15
29	2 610 355 684	Base Plate	1	-,-	1	40
30	2 610 355 699	Cover BLACK	1	-,-	1	15
31	2 610 355 697	Handle BLACK	1	-,-	1	17
32	2 610 355 703	Cover BLACK	1	-,-	1	15
33	2 610 355 701	Handle BLACK	1	-,-	1	17
34	2 610 905 332	Cover	1	-,-	1	20
35	2 610 905 330	Cover	1	-,-	1	21
36	2 610 355 668	Guide Piece	1	-,-	2	13
37	2 610 355 683	Base Plate	1	-,-	1	28
38	2 610 355 685	Lever	1	-,-	1	13
39	2 610 353 395	Plate	1	-,-	1	15
40	2 610 355 654	Nut	1	-,-	2	-
41	2 610 353 433	Bolt	1	-,-	1	11
42	2 610 355 679	Key	1	-,-	1	19
43	2 610 353 421	Rotary Head	1	-,-	1	22
44	2 610 355 661	Shim washer	1	-,-	2	12
45	2 610 355 678	Plate	1	-,-	1	15

Item	Part Number	Description	Illustration	Price	Quantity	Price Group
46	2 610 355 651	Spring	1	-,-	2	13
47	2 610 355 709	Spring	1	-,-	1	13
48	2 610 355 715	Pin	1	-,-	1	13
49	2 610 006 913	Ball	1	-,-	1	11
50	2 610 350 998	Ball	1	-,-	1	11
51	2 610 353 427	Spring	1	-,-	1	11
52	2 610 355 655	Spring	1	-,-	1	13
53	2 610 070 890	Washer	1	-,-	1	13
54	2 610 355 736	Toggle Switch	1	-,-	1	-
55	2 610 355 663	Knob	1	-,-	1	15
56	2 610 355 662	Knob	1	-,-	1	15
57	2 610 355 674	Support	1	-,-	1	14
59	2 610 038 959	Connecting Cable	1	-,-	1	13
60	1 619 P01 508	Screw	1	-,-	2	10
61	2 610 329 929	Screw	1	-,-	9	11
62	2 610 350 996	Screw	1	-,-	2	11
63	2 610 348 622	Screw	1	-,-	2	11
64	2 610 350 943	Screw	1	-,-	4	11
65	1 619 X00 504	Screw	1	-,-	8	10
66	2 610 329 930	Screw	1	-,-	2	11
67	2 610 990 024	Screw	1	-,-	1	12
68	2 610 355 658	Depth Measure	1	-,-	1	22
69	2 610 355 706	Screw	1	-,-	3	11
70	2 610 001 309	Nut	1	-,-	3	11
71	2 610 353 386	Nut	1	-,-	1	11
72	2 610 001 628	Nut	1	-,-	1	11
73	2 610 317 009	Nut	1	-,-	1	11
74	2 610 355 657	Bolt	1	-,-	1	13
75	2 610 350 698	Screw	1	-,-	1	10
76	2 610 355 660	Ring	1	-,-	2	11
78	2 615 298 025	Tapping Screw	1	-,-	1	11
79	2 610 991 280	Pan head screw	1	-,-	3	11
80	2 610 911 048	Ring 22 MM THICK	1	-,-	1	13
650	2 610 355 686	Insert	1	-,-	1	15
816	2 610 355 594	Brush Holder	1	-,-	1	31

Illustration - Type E



Information subject to change without further notice.