

Angle Grinder - 0 601 851 B64 - 1873-8D

www.powertools-aftersaleservice.com



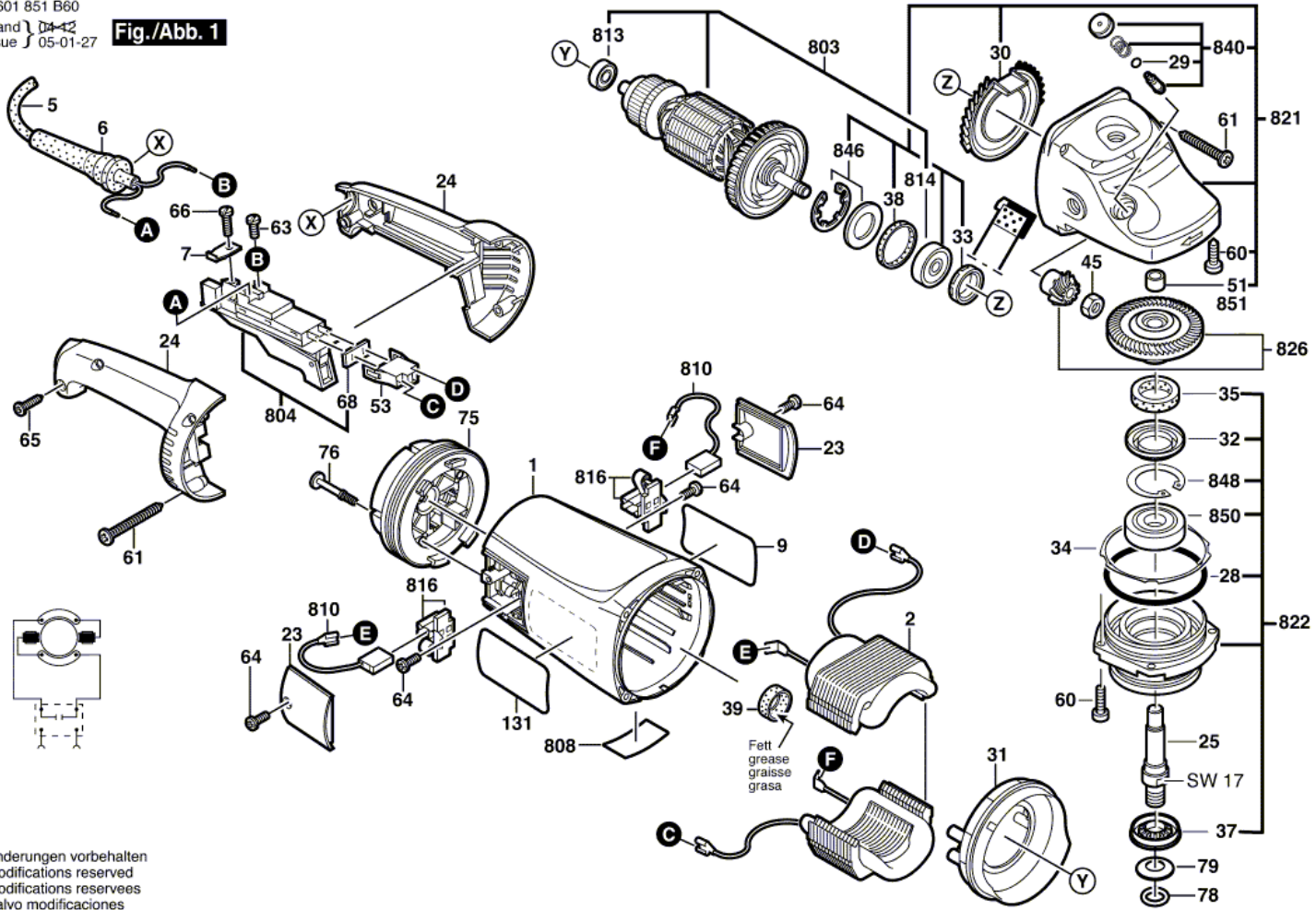
BOSCH

Item	Part Number	Description	Illustration	Price	Quantity	Price Group
1	1 605 108 240	Motor Housing BLUE	1	-,-	1	28
2	1 604 220 385	Field 100-120V	1	-,-	1	38
5	1 604 460 133	Power supply cord USA/CDN 2,15m 2 x 2,08mm SJ 14/2	1	-,-	1	27
6	1 600 703 023	Grommet Ø 10,5-Ø11,0x100 MM	1	-,-	1	13
7	1 601 302 018	Fastening Clamp	1	-,-	1	11
9	1 601 118 F38	Manufacturer's nameplate	1	-,-	1	15
23	1 605 500 206	Sealing cap BLUE	1	-,-	2	16
24	1 605 132 141	Handle BLUE	1	-,-	1	22
25	1 603 123 05Y	Grinding Spindle	1	-,-	1	28
28	1 600 210 033	O-Ring 79,0x1,78 MM	1	-,-	1	11
29	1 600 210 045	O-Ring 8,0x1,0 MM	1	-,-	1	11
30	1 600 591 029	Air Distributor	1	-,-	1	13
31	1 600 591 028	Air-Deflector Ring	1	-,-	1	13
32	1 600 290 019	Retaining snap ring	1	-,-	1	11
33	1 600 290 013	Rotary shaft lip seal 18,7 MM RED	1	-,-	1	13
34	1 600 190 020	Shim 0,15 MM THICK	1	-,-	1	11
34	1 600 190 021	Shim 0,3 MM THICK	1	-,-	1	11
34	1 600 190 022	Shim 0,1 MM THICK	1	-,-	1	11
34	1 600 190 037	Shim 0,2 MM THICK	1	-,-	1	10
34	1 600 190 038	Shim 0,25 MM THICK	1	-,-	1	10
34	1 600 190 039	Shim 0,35 MM THICK	1	-,-	1	10
34	1 600 190 040	Shim 0,4 MM THICK	1	-,-	1	10
35	1 600 205 034	Felt Washer	1	-,-	1	11
37	1 600 290 036	Seal Ring BLACK	1	-,-	1	12
38	1 600 206 020	Rubber Ring 7 MM WIDE	1	-,-	1	11
39	1 600 206 030	Rubber Ring	1	-,-	1	11
45	1 603 300 019	Hex Nut M10, SW14	1	-,-	1	11
51	1 600 200 031	Plain bearing Ø14 MM	1	-,-	1	13
53	1 605 190 068	Socket Housing	1	-,-	1	11
60	1 603 435 023	Thread-forming tap. Screw TT M5x18 MM	1	-,-	4	11
61	2 912 401 038	Tapping Screw DIN 7981-4,8x38-C-Z-ST	1	-,-	6	10
63	1 603 410 014	Pan head screw M4x10 MM	1	-,-	2	11
64	1 603 435 042	Plastic-Cutting Screw St3,9x12	1	-,-	4	11

Item	Part Number	Description	Illustration	Price	Quantity	Price Group
65	2 912 401 020	Tapping Screw DIN 7981-3,9x19-C-Z-ST	1	-,-	2	10
66	2 910 211 019	Tapping Screw DIN 7971-ST3,9x16-F	1	-,-	1	10
68	1 601 006 011	Sealing Plate	1	-,-	1	13
75	1 600 290 057	Damper	1	-,-	1	29
76	1 603 414 016	Collar Screw TORX-PLUS-20-IP	1	-,-	4	11
78	1 900 210 111	O-Ring 12x3 MM	1	-,-	1	13
79	1 600 171 001	Locking Washer	1	-,-	1	11
131	1 601 118 F78	Reference Plate	1	-,-	1	15
650	1 602 025 030	Auxiliary Handle M14, Ø37x115 MM BLACK	2	-,-	1	28
651	1 605 510 353	Protective Cover	2	-,-	1	37
800	1 607 000 380	Parts Set	2	-,-	1	30
803	1 604 011 178	Armature 100-120V	1	-,-	1	48
804	1 607 000 745	Switch	1	-,-	1	37
808	1 601 11A 3H3	Nameplate	1	-,-	1	13
810	1 607 014 178	Carbon-Brush Set	1	-,-	1	26
813	1 600 905 011	groove ball bearing 8x22x7	1	-,-	1	18
814	1 600 905 028	groove ball bearing	1	-,-	1	24
816	1 604 336 048	Brush Holder	1	-,-	2	19
821	1 607 000 C03	Gear Housing	1	-,-	1	38
822	1 607 000 C04	Bearing Flange Ø180 MM	1	-,-	1	35
826	1 619 P02 775	Bevel Gear Set	1	-,-	1	33
840	1 607 000 354	Push-Button	1	-,-	1	19
846	1 607 000 342	Retaining Washer	1	-,-	1	15
848	1 600 119 010	Retaining clip	1	-,-	1	11
850	1 600 905 026	groove ball bearing 17x40x12	1	-,-	1	21
851	2 600 910 001	Needle-Roller Bearing Ø14 MM	1	-,-	1	16

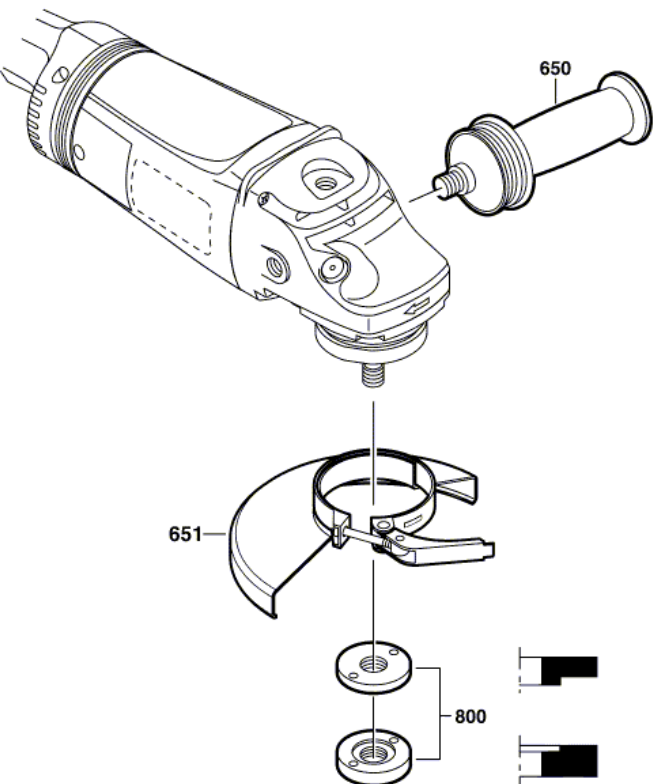
0 601 851 B60
 Stand } 04-12
 Issue } 05-01-27

Fig./Abb. 1



Änderungen vorbehalten
 Modifications reserved
 Modifications reserves
 Salvo modificaciones

Illustration - Type E



0 601 851 B60
Stand } ~~04-12~~
Issue } 04-12-07

Fig./Abb. 2

Änderungen vorbehalten
Modifications reserved
Modificacions reserves
Salvo modificaciones

Information subject to change without further notice.