



# SERVICE PARTS LIST

BULLETIN NO.  
54-12-1304

SPECIFY CATALOG NO. AND SERIAL NO. WHEN ORDERING PARTS		REVISED BULLETIN 54-12-1303	DATE Mar. '94
<b>SUPER HOLE-SHOOTER</b>			
CATALOG NO. 1854-1	SERIAL NUMBER 567A	WIRING INSTRUCTION <b>58-01-0940</b>	

00  
0

EXAMPLE:  
Component Parts (Small #)  
Are Included When Ordering  
The Assembly (Large #).

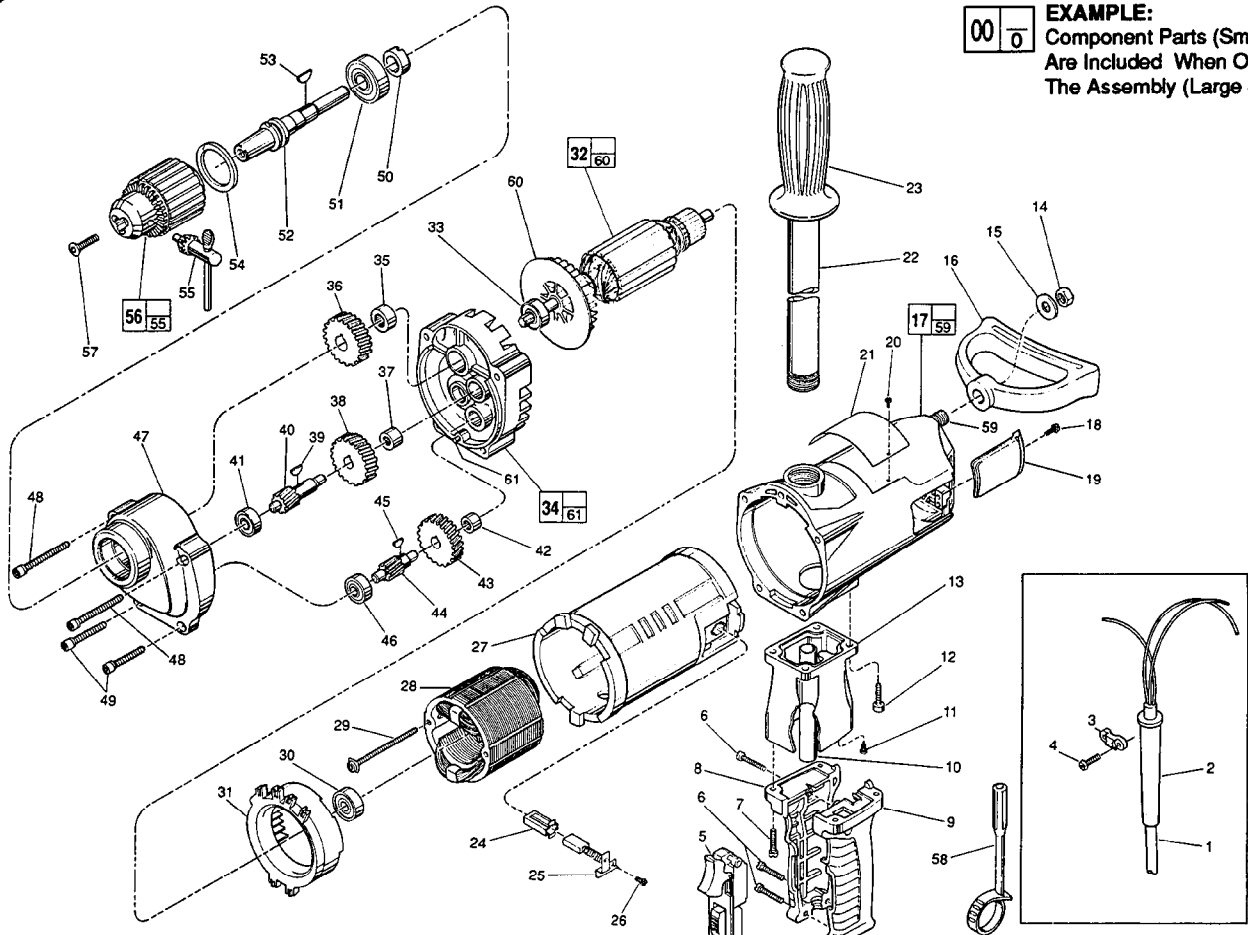


FIG.	PART NO.	DESCRIPTION OF PART	NO.	REQ.
	1	22-64-0121	1	1
	2	44-76-0140	1	1
	3	31-17-0156	1	1
	4	06-82-7270	1	2
	5	23-66-1420	1	1
	6	06-82-7326	1	3
	7	06-82-5358	1	4
	8	31-44-1440	1	1
	9	31-44-1445	1	1
	10	23-16-1440	1	1
	11	06-95-5200	1	2
	12	06-95-5645	1	4
*	13	25-86-1610	1	1
	14	06-55-2850	1	1
*	15	45-88-5253	1	1
	16	31-44-1450	1	1
	17	28-50-6365	1	1
*	18	06-82-5316	1	2
	19	22-32-0350	1	2
*	20	06-72-1720	1	2
*	21	12-15-7510	1	1
	22	43-62-0121	1	2
	23	43-62-0246	1	2
	24	22-20-0680	1	2
*	25	22-18-0701	1	2
	26	06-82-8835	1	2
	27	23-16-1420	1	2
	28	18-70-0310	1	2
	29	06-82-9072	1	2
	30	02-04-1041	1	1
	31	42-14-0291	1	1
	32	16-70-0340	1	1
	33	02-04-1229	1	1
	34	14-13-0241	1	1
	35	02-50-4040	1	1
	36	32-75-1001	1	1
	37	02-50-2450	1	1
	38	32-44-1181	1	1

FIG.	PART NO.	DESCRIPTION OF PART	NO.	REQ.
	39	06-42-1600	1	1
	40	36-66-0501	1	1
	41	02-04-0910	1	1
	42	02-50-2450	1	1
	43	32-40-1001	1	1
	44	36-66-2601	1	1
	45	06-42-1200	1	1
	46	02-04-0910	1	1
*	47	28-14-0402	1	1
	48	06-82-8440	1	2
*	49	06-82-8396	1	2
	50	45-36-0200	1	1
	51	02-04-2031	1	1
	52	38-50-5500	1	1
	53	06-42-2400	1	1
	54	34-80-3450	1	1
	55	48-66-3160	1	1
	56	48-66-2085	1	1
	57	06-81-3100	1	1
	58	48-66-4020	1	1
	59	06-14-0010	1	1
	60	22-84-0790	1	1
	61	06-65-1155	1	1

FIG. LUBRICATION  
47 7-3/4 Oz. "E" Grease, No. 49-08-4122.

FIG. NOTES  
12 Tighten one screw until lockwasher is touching handle spacer. Tighten the diagonally opposite screw (70-80 lbs./in. on new motor housing) and then sequentially tighten the other screws.

48,49 Apply Type 242 Blue Loctite.

**MILWAUKEE ELECTRIC TOOL CORPORATION**  
13135 W. LISBON RD., BROOKFIELD, WI 53005