



# SERVICE PARTS LIST

**BULLETIN NO.**  
54-12-1302

SPECIFY CATALOG NO. AND SERIAL NO. WHEN ORDERING PARTS		REVISED BULLETIN	DATE
3/4" ELECTRIC DRILL		54-12-1301	April '86
CATALOG NO. 1854-1	STARTING SERIAL NO. 567-17100	WIRING INSTRUCTION 58-01-0566	

FOR CAT. NO. 1854-3  
(240V) TOOL USE:  
18-76-0070 FIELD  
16-76-0090 ARMATURE  
22-64-4155 CORD SET

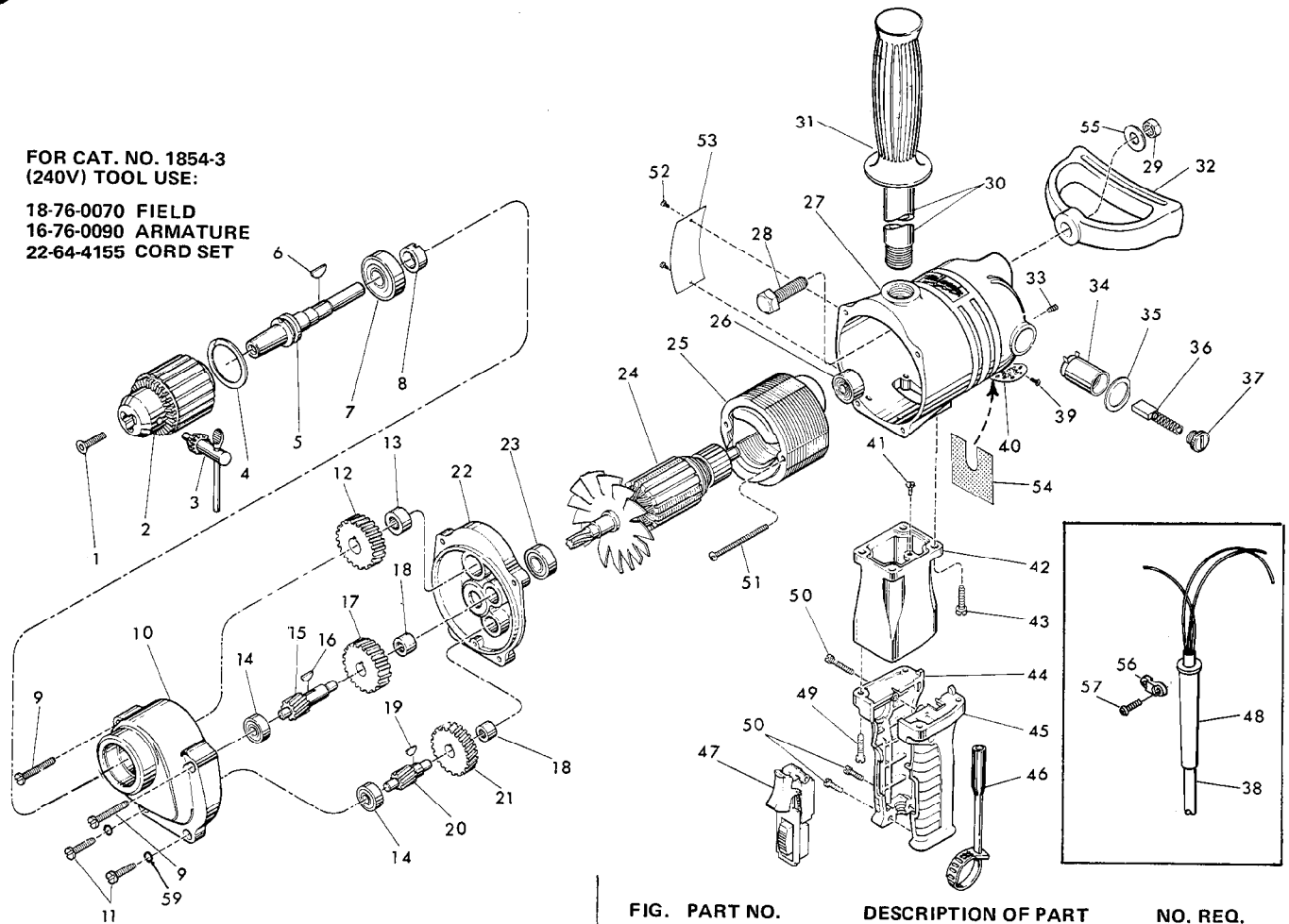


FIG.	PART NO.	DESCRIPTION OF PART	NO. REQ.
	1	06-81-3100 5/16 x 1 Skt. Hd. Screw	(1)
★	2	48-66-2085 3/4" Chuck (Includes Fig. No. 3)	(1)
	3	48-66-3160 Chuck Key	(1)
	4	34-80-3450 Retaining Ring	(1)
★	5	38-50-5500 Reversing Spindle	(1)
	6	06-42-2400 Woodruff Key	(1)
★	7	02-04-2031 Ball Bearing	(1)
	8	45-36-0200 Spacer for Tapered Spindle	(1)
	9	06-81-7950 1/4-20 x 1" Machine Screw	(2)
	10	28-14-0401 Gear Case	(1)
★	11	06-81-1820 1/4-20 x 1" Machine Screw	(2)
	12	32-75-1001 Spindle Gear	(1)
	13	02-50-4040 Needle Bearing	(1)
	14	02-04-0910 Ball Bearing	(2)
	15	36-66-0501 Intermediate Pinion Shaft	(1)
	16	06-42-1600 Woodruff Key	(1)
	17	32-44-1181 Intermediate Gear	(1)
	18	02-50-2450 Needle Bearing	(2)
	19	06-42-1200 Woodruff Key	(1)
	20	36-66-2601 Intermediate Pinion Shaft	(1)
	21	32-40-1001 Intermediate Gear	(1)
	22	28-28-0102 Diaphragm (Includes 06-65-1206 Pin)	(1)
	23	02-04-1260 Ball Bearing	(1)
	24	16-70-0090 120 Volt Armature	(1)
	25	18-70-0070 120 Volt Field	(1)
	26	02-04-1070 Ball Bearing	(1)
	27	28-50-4161 Motor Housing (Includes 45-30-0110 BB Rtnng. Slug & Rig. Nos. 28 & 29)	(1)
	28	06-75-0850 1/2-13 x 1-1/2 Hex Hd. Screw	(1)

FIG.	PART NO.	DESCRIPTION OF PART	NO. REQ.
	29	06-55-2850 1/2-13 Hex Nut	
	30	43-62-0120 Pipe Handle	(1)
★	31	43-62-0246 Handle Grip	(1)
	32	31-44-1050 Spade Handle	(1)
	33	06-83-2650 1/4-20 x 3/8 Knrl. Set Screw	(2)
	34	22-22-1015 Brush Holder	(2)
	35	23-86-0060 Insulating Washer	(2)
	36	22-18-0055 Carbon Brush	(2)
	37	23-44-0030 Brush Retaining Screw	(2)
	38	22-64-0121 Cord Set	(1)
	39	06-81-8650 6-32 x 1/4 Rd. Hd. Sem	(2)
	40	44-66-0180 Cover Plate	(1)
	41	06-81-8625 6-32 x 1/4 Ground Screw	(1)
	42	28-86-1601 Spacer	(1)
	43	06-81-7800 1/4-20 x 3/4 Fil. Hd. Sem	(4)
★	44	31-44-1440 Right Handle Half	(1)
★	45	31-44-1445 Left Handle Half	(1)
	46	48-66-4020 Key Holder	(1)
	47	23-66-0581 Reversing Switch	(1)
	48	44-76-0150 Cord Protector	(1)
★	49	06-82-5358 12 - 24 x 3/4" Pan Hd. Taptite Screw	(4)
★	50	06-82-7326 8-16 x 1" Plastite Screw	(3)
	51	06-81-9190 10-24 x 2-1/4 Rd. Hd. Sem	(2)
	52	06-85-0200 Nameplate Screw	(2)
	53	12-15-7010 Service Nameplate	(1)
	54	23-16-0830 Arc Insulator	(1)
	55	45-88-0310 Flat Washer	(1)
	56	31-17-0156 Cord Clamp	(2)
	57	06-95-0216 8-16 x 5/8" Plastite Screw	(2)
	58	10-98-5986 Caution Label (Not Shown)	(1)
★	59	06-97-3800 No. 14 Split Ring Lockwasher	(2)