



SERVICE PARTS LIST

BUL. 54-12-9010

3/4" ELECTRIC DRILL

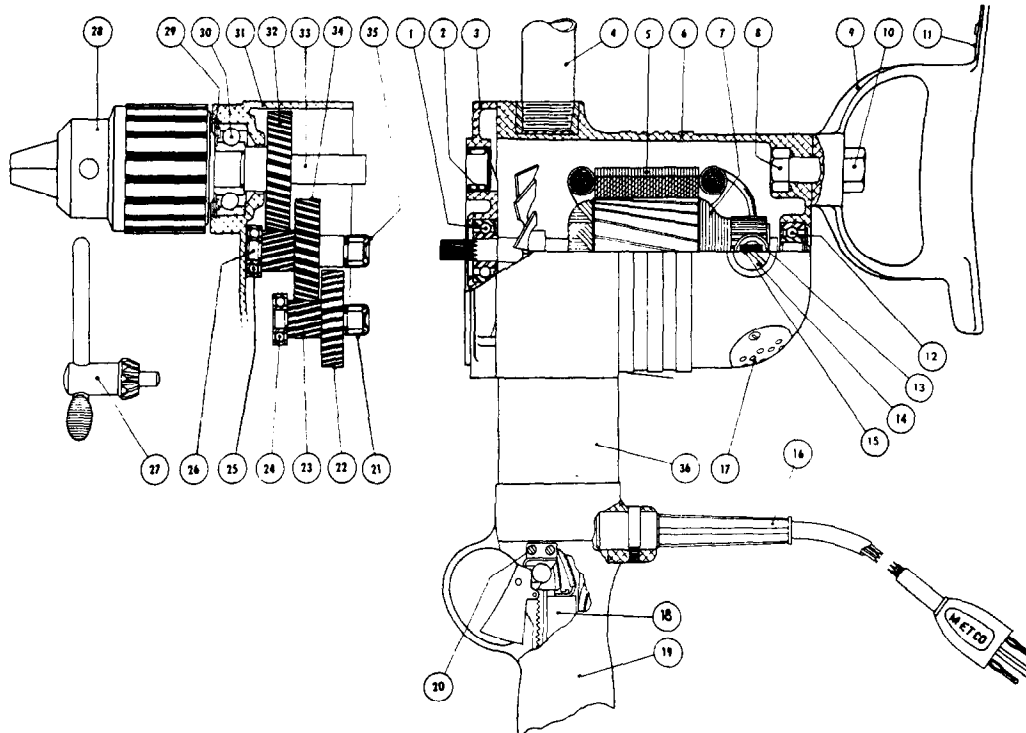
REVISED BUL 6303-1 DATE FEB. '68

Catalog No. 1850-8

Starting Serial No. 303-1001

WIRING INSTR.

Both Model and Serial No. must be furnished to obtain correct parts.



ILLUSTRATED PARTS

FIG. PART NO. DESCRIPTION OF PART

1	02-04-1260	Ball Bearing
2	02-04-1020	Ball Bearing
3	28-28-0103	Diaphragm
4	43-62-0230	Pipe Handle
5	18-82-1190	Field Assembly
6	28-50-4761	Motor Housing
7	16-82-1430	Armature Assembly
8	06-75-0850	1/2-13x1 1/2 Spade Handle Bolt (Hex. Hd.)
9	14-43-0100	Spade Handle (incl. item 11)
10	06-55-2850	Spade Handle Jam Nut
11	See item 9	Spade Handle Key Clip
12	02-04-1070	Ball Bearing
13	22-22-0100	Brush Holder Assembly
14	23-44-0081	Brush Retaining Screw Assembly
15	22-18-0115	Carbon Brush Assembly
16	22-64-0300	Cord Set
17	44-66-0180	Air Intake Cover Plate
18	23-66-0190	Switch
19	28-44-9241	Switch Handle

FIG. PART NO. DESCRIPTION OF PART

20	42-36-0230	Switch Bracket
21	02-50-2450	Needle Bearing
22	32-40-1001	Intermediate Gear
23	36-66-2601	1st Inter. Pinion Shaft
24	02-04-0910	Ball Bearing
25	02-04-0910	Ball Bearing
26	36-66-0501	2nd Inter. Pinion Shaft
27	48-66-3160	Chuck Key
28	48-66-2040	Chuck (5/8-16 Thread)
29	34-80-3450	Ball Brg. Retaining Ring
30	02-04-1780	Ball Bearing
31	28-14-0401	Gear Case
32	32-75-1001	Spindle Gear
(2)	33	38-50-4301 Spindle
(2)	34	32-44-1181 2nd Intermediate Gear
35	02-50-2450	Needle Bearing
36	23-62-0110	Suppression System

MISCELLANEOUS PARTS NOT SHOWN

PART NO. DESCRIPTION OF PART

12-98-0900	Name Plate
06-81-8650	6-32x1/4 Rd.Hd. Spade Handle Key Clip Sems
06-81-8650	6-32x1/4 Rd.Hd. Switch Mtg. Sems
06-81-3400	6-32x1/4 Oval Hd. Switch Bracket Scs. (2)
06-81-0050	4-40x1/4 Binder Hd. Name Plate Scs. (2)
06-85-0200	6-1/4 P.K. Air Intake Plate Screws (2)
06-81-7850	1/4-20x1 Fil.Hd. Gear Case Sems (2)
06-81-7950	1/4-20x1-3/4 Fil.Hd. Gear Case Sems (2)
06-81-2150	1/4-20x3-3/4 Fil.Hd. Switch Handle Screws (4)
06-81-3100	5/16-18x1 Flat Hd. Internal Socket Screw (1)
06-81-8950	8-32x2-1/4 Fil. Hd. Field Sems (2)

PART NO. DESCRIPTION OF PART

06-83-2670	1/4-20x1/2 Hd'less Brush Holder Set Scs. (2)
06-81-8625	6-32x1/4 Rd.Hd. Sems Brass Grounding Wire
06-97-3200	Kantlink Lock Washer
06-97-3800	Kantlink Lock Washer
06-42-1600	Woodruff Keys
06-42-1200	Woodruff Keys
06-42-2400	Woodruff Keys
45-04-0100	Cord Retaining Screw (2)
48-03-0010	Attachment Plug Adaptor (1)
23-86-0130	Brush Holder Washer (2)