



SERVICE PARTS LIST

BUL. 54-12-3021

3/4" ELECTRIC DRILL

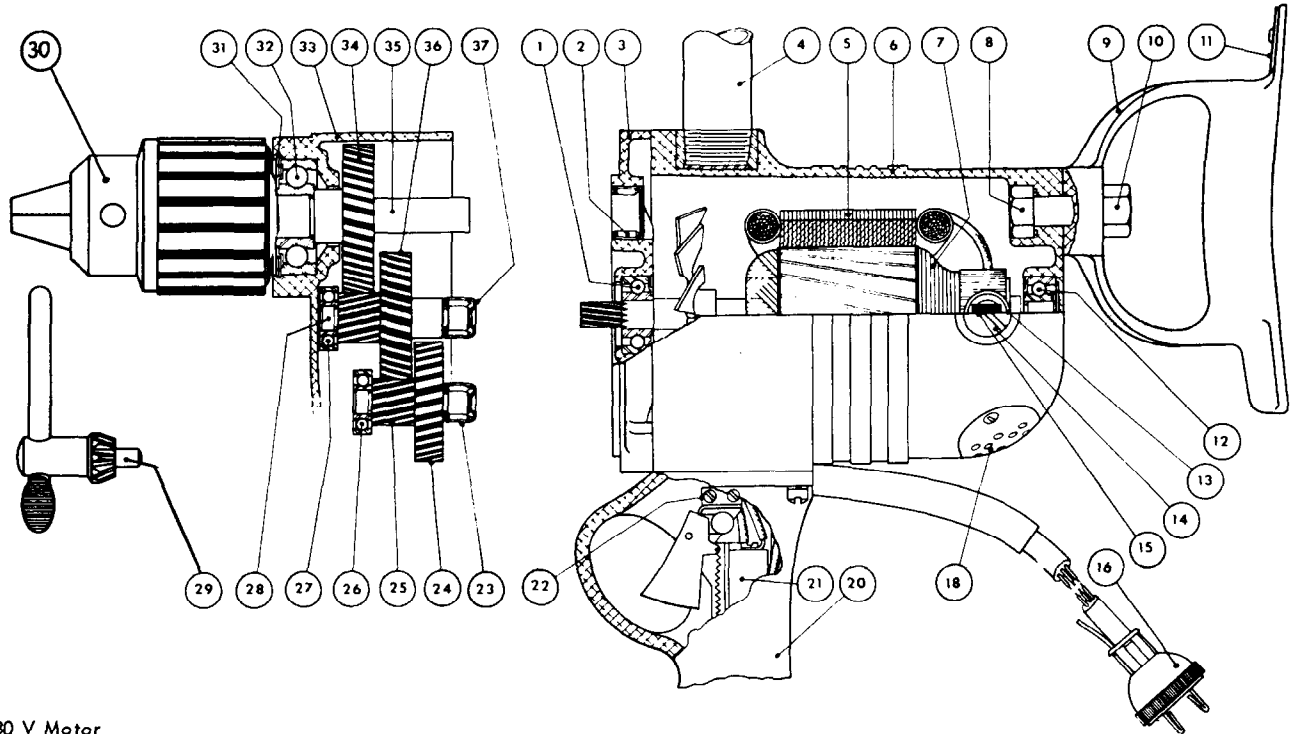
REVISED BUL 666-5 DATE May '68

Catalog No. 1850

Starting Serial No. 66-4910

WIRING INSTR. 58-01-0600

Both Model and Serial No. must be furnished to obtain correct parts.



230 V Motor
16-86-1350 Armature
18-86-1100 Field

ILLUSTRATED PARTS

FIG.	PART NO.	DESCRIPTION OF PART	FIG.	PART NO.	DESCRIPTION OF PART
1	02-04-1260	Ball Bearing	21	23-66-0190	Switch
2	02-50-4040	Needle Bearing	22	42-36-0230	Switch Bracket
3	28-28-0102	Diaphragm	23	02-50-2450	Needle Bearing
4	43-62-0230	Pipe Handle	24	32-40-1001	1st Intermediate Gear
5	18-82-1110	Field Assembly	25	36-66-2601	1st Intermediate Pinion Shaft
6	28-50-4761	Motor Housing	26	02-04-0910	Ball Bearing
7	16-82-1430	Armature Assembly	27	02-04-0910	Ball Bearing
8	06-75-0850	1/2"-13x1-1/2" Spade Handle Bolt (Hex.Hd.)	28	36-66-0501	2nd Intermediate Pinion Shaft
9	14-34-0100	Spade Handle (includes item 11)	29	48-66-3160	Chuck Key
10	06-55-2850	1/2-13 Spade Handle Jam Nut	30	48-66-2040	Chuck (5/8-16 Thread)
11	see item 9	Spade Handle Key Clip	31	34-80-3450	Ball Bearing Retaining Ring
12	02-04-1070	Ball Bearing	32	02-04-1780	Ball Bearing
★13	22-22-0100	Brush Holder Assembly (2)	33	28-14-0401	Gear Case
14	23-44-0081	Brush Retaining Screw Assembly (2)	34	32-75-1001	Spindle Gear
15	22-18-0115	Carbon Brush Assembly (2)	35	38-50-1201	Spindle
16	22-64-0080	Cord Set	36	32-44-1181	2nd Intermediate Gear
18	44-66-0180	Air Intake Cover Plate	37	02-50-2450	Needle Bearing
20	28-44-9241	Switch Handle			

MISCELLANEOUS PARTS NOT SHOWN

PART NO.	DESCRIPTION OF PART	PART NO.	DESCRIPTION OF PART
12-98-0900	Name Plate	06-81-7900	1/4-20x1 1/2 Fil.Hd. Switch Handle Sems (4)
06-81-8650	6-32x 1/4 Spade Handle Key Clip Sems	06-83-2670	1/4-20x 1/2 Hd'less Brush Holder Set Screw (2)
06-81-8650	6-32x 1/4 Rd.Hd. Switch Mounting Sems (2)	06-81-8625	6-32x 1/4 Rd.Hd. Sems Brass Grounding Wire
06-81-3400	6-32x 1/4 Oval Hd. Switch Bracket Screws (2)	06-42-1600	Woodruff Keys
★06-81-8400	4-40x 1/4 Rd.Hd. Name Plate Sems (2)	06-42-1200	Woodruff Keys
★06-81-8650	6-32x 1/4 Rd.Hd. Air Intake Plate Sems (2)	06-42-2400	Woodruff Keys
06-81-7850	1/4-20x1 Fil.Hd. Gear Case Sems (2)	45-04-0100	Cord Retaining Screw (2)
06-81-7950	1/4-20x1 1/4 Fil.Hd. Gear Case Sems (2)	23-86-0130	Brush Holder Washer (2)
48-03-0010	Attachment Plug Adaptor	★06-97-1800	Lock Washers (4)
06-81-8950	8-32x 1/4 Fil.Hd. Field Sems (2)		