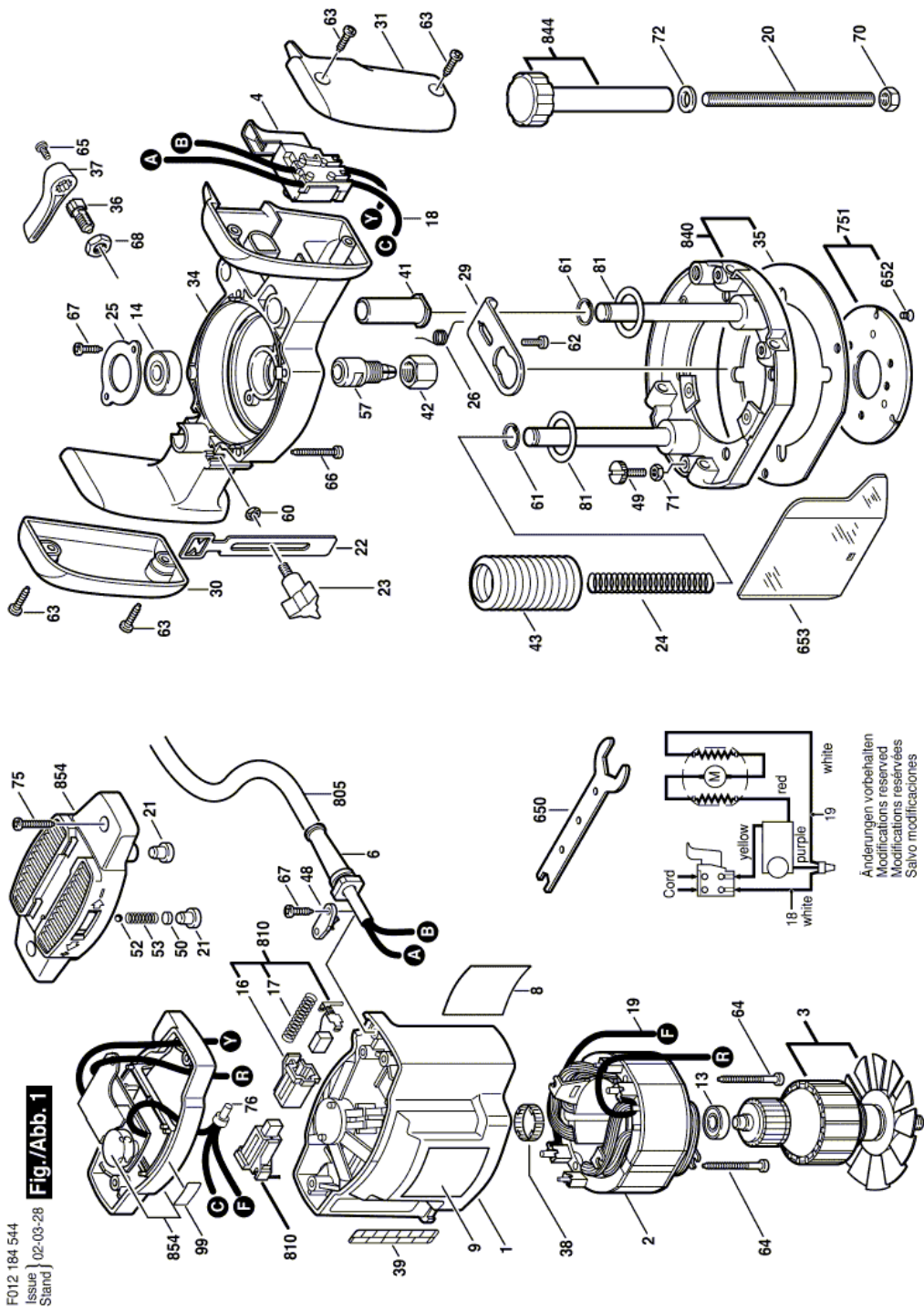


## Router - F 012 184 544 - 1845

Item	Part Number	Description	Illustration	Price	Quantity	Price Group
1	2 610 992 421	Housing	1	-,-	1	27
2	2 610 353 383	Pole Shoe 120V	1	-,-	1	-
3	2 610 353 355	Armature 120V	1	-,-	1	-
4	2 607 200 251	On-Off Switch	1	-,-	1	23
6	2 610 313 327	Grommet	1	-,-	1	14
8	2 610 994 101	Nameplate	1	-,-	1	-
9	2 610 994 100	Manufacturer's nameplate	1	-,-	1	-
13	1 619 P01 511	Ball Bearing	1	-,-	1	19
14	2 610 042 699	Deep-Groove Ball Bearing	1	-,-	1	22
16	2 610 341 257	Brush Holder	1	-,-	2	12
17	2 610 353 407	Spring	1	-,-	2	11
18	2 610 991 353	Connecting Cable 240 MM	1	-,-	1	-
19	2 610 991 354	Connecting Cable 195 MM	1	-,-	1	-
20	2 610 355 657	Bolt	1	-,-	1	13
21	2 610 350 655	Rubber Buffer	1	-,-	2	11
22	2 610 990 690	Guide	1	-,-	1	-
23	2 610 353 373	Knob	1	-,-	1	14
24	2 610 990 691	Compression Spring	1	-,-	2	-
25	2 610 353 378	Support	1	-,-	1	13
26	2 610 353 379	Spring	1	-,-	1	11
29	2 610 353 425	Plate	1	-,-	1	15
30	2 610 990 692	Handle Cover	1	-,-	1	-
31	2 610 990 693	Handle Cover	1	-,-	1	-
34	2 610 991 393	Pivot Plate	1	-,-	1	-
35	2 610 353 370	Base Plate	1	-,-	1	17
36	2 610 353 433	Bolt	1	-,-	1	11
37	2 610 353 434	Lever BLACK	1	-,-	1	11
38	2 610 911 048	Ring 22 MM THICK	1	-,-	1	13
39	2 610 994 102	Scale	1	-,-	1	-
41	2 610 990 695	Plain bearing	1	-,-	1	-
42	2 610 993 644	Nut	1	-,-	1	-
43	2 610 990 698	Bellows	1	-,-	2	23
48	2 610 364 033	Cable Clip	1	-,-	1	13

Item	Part Number	Description	Illustration	Price	Quantity	Price Group
49	2 610 353 372	Screw	1	-,-	1	11
50	2 610 355 715	Pin	1	-,-	1	13
52	2 610 006 913	Ball	1	-,-	1	11
53	2 610 355 709	Spring	1	-,-	1	13
57	2 610 993 645	Collet 1/4"	1	-,-	1	-
60	2 610 011 489	Nut	1	-,-	1	11
61	2 610 067 431	Ring	1	-,-	2	11
62	2 610 318 720	Screw	1	-,-	1	11
63	1 619 X00 504	Screw	1	-,-	4	10
64	2 610 347 103	Screw	1	-,-	2	12
65	2 610 350 698	Screw	1	-,-	1	10
66	2 610 350 943	Screw	1	-,-	4	11
67	2 610 315 386	Screw ST3,9x19	1	-,-	4	11
68	2 610 353 386	Nut	1	-,-	1	11
70	2 610 317 009	Nut	1	-,-	1	11
71	2 610 001 309	Nut	1	-,-	1	11
72	2 610 992 472	Washer	1	-,-	1	-
75	2 610 994 412	Torx SH cap screw	1	-,-	2	-
76	2 610 305 991	Connector	1	-,-	1	-
81	2 610 992 473	Washer	1	-,-	2	-
99	2 610 994 129	Label	1	-,-	1	-
650	2 610 993 579	Adjusting Wrench	1	-,-	1	-
652	2 610 309 249	Screw	1	-,-	1	11
653	2 610 353 395	Plate	1	-,-	1	15
751	2 610 091 803	Insert	1	-,-	1	22
805	3 604 460 555	Power supply cord USA/CDN 2,15m 2 x 0,82mm SJ 18/2	1	-,-	1	24
810	2 610 992 423	Carbon-Brush Set	1	-,-	1	23
840	2 610 994 405	Base	1	-,-	1	-
844	2 610 992 426	Adjusting Nut	1	-,-	1	-
854	2 610 916 038	Speed governor	1	-,-	1	-

Illustration - Type E



Information subject to change without further notice.