

ILLUSTRATED PARTS LIST

MODEL NUMBER 1830SB

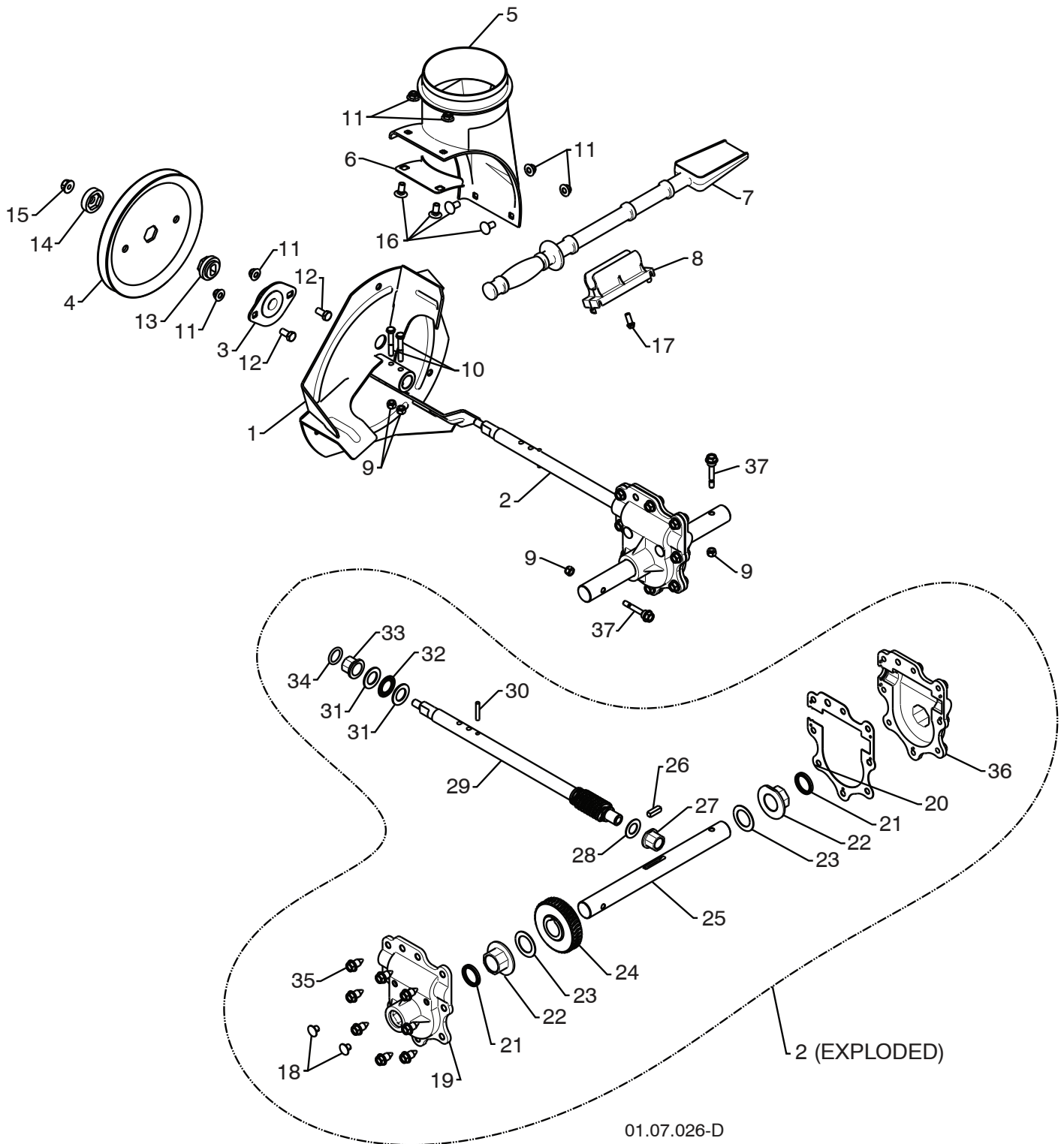
PRODUCT NUMBER 961 93 00-57

MFG. ID. NUMBER 96193005700

REPAIR PARTS

AUGER HOUSING / IMPELLER ASSEMBLY

SNOW THROWER - MODEL NO. 1830SB (96193005700), PRODUCT NO. 961 93 00-57



NOTE: All component dimensions given in U.S. inches. 1 inch = 25.4 mm
IMPORTANT: Use only Original Equipment Manufacturer (O.E.M.) replacement parts.
Failure to do so could be hazardous, damage your snow thrower and void your warranty.

REPAIR PARTS**AUGER HOUSING / IMPELLER ASSEMBLY****SNOW THROWER - MODEL NO. 1830SB (96193005700), PRODUCT NO. 961 93 00-57**

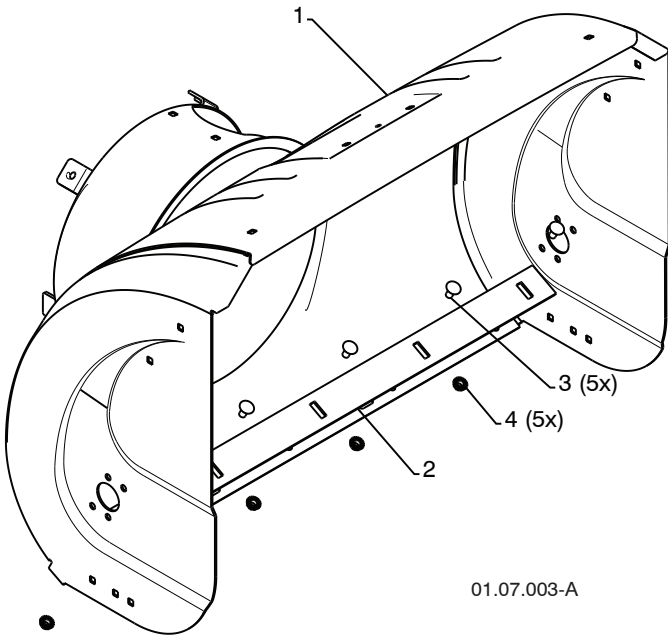
| KEY NO. | PART NO. | DESCRIPTION |
|----------------|-----------------|----------------------|
| 1 | 532 43 57-75 | IMPELLER |
| 2 | 532 42 71-48 | GEARBOX ASSEMBLY |
| 3 | 532 18 89-09 | BEARING |
| 4 | 532 42 71-46 | IMPELLER PULLEY |
| 5 | 532 17 53-22 | DISCHARGE BASE |
| 6 | 532 43 62-36 | CORNER BRACKET |
| 7 | 532 19 21-99 | CLEAN OUT TOOL |
| 8 | 532 40 54-00 | TOOL CLIP |
| 9 | 873 80 04-00 | NUT 1/4-20 |
| 10 | 874 78 04-26 | SCREW 1/4-20 X .625 |
| 11 | 532 42 79-42 | NUT 5/16-18 |
| 12 | 532 16 31-83 | SCREW 5/16-18 X .625 |
| 13 | 532 42 71-45 | IMPELLER HUB |
| 14 | 532 42 71-54 | IMPELLER SLEEVE |
| 15 | 873 90 06-00 | NUT 3/8-16 |
| 16 | 532 18 03-55 | CARRIAGE BOLT |
| 17 | 532 19 41-89 | SCREW 13-16 X .625 |
| 18 | 532 40 77-60 | PLUG |
| 19 | 532 42 73-02 | GEARBOX COVER RH |
| 20 | 532 42 73-45 | GASKET |
| 21 | 532 40 77-70 | SEAL |
| 22 | 532 40 77-62 | BEARING |
| 23 | 532 17 46-97 | THRUST WASHER 1.00 |
| 24 | 532 40 77-63 | WORM GEAR |
| 25 | 532 40 77-64 | AUGER SHAFT |
| 26 | 532 18 92-82 | SQUARE KEY |
| 27 | 532 40 77-58 | BEARING |
| 28 | 532 17 46-83 | THRUST WASHER |
| 29 | 532 42 71-47 | IMPELLER SHAFT |
| 30 | 532 18 42-05 | ROLL PIN |
| 31 | 532 17 46-81 | THRUST WASHER |
| 32 | 532 17 46-84 | THRUST BEARING |
| 33 | 532 40 77-69 | BEARING |
| 34 | 532 40 77-68 | O-RING |
| 35 | 532 40 77-67 | SCREW 5/16-18 X .750 |
| 36 | 532 42 73-17 | GEARBOX COVER LH |
| 37 | 532 19 20-90 | SHEAR BOLT |

NOTE: All component dimensions given in U.S. inches. 1 inch = 25.4 mm
IMPORTANT: Use only Original Equipment Manufacturer (O.E.M.) replacement parts.
Failure to do so could be hazardous, damage your snow thrower and void your warranty.

REPAIR PARTS

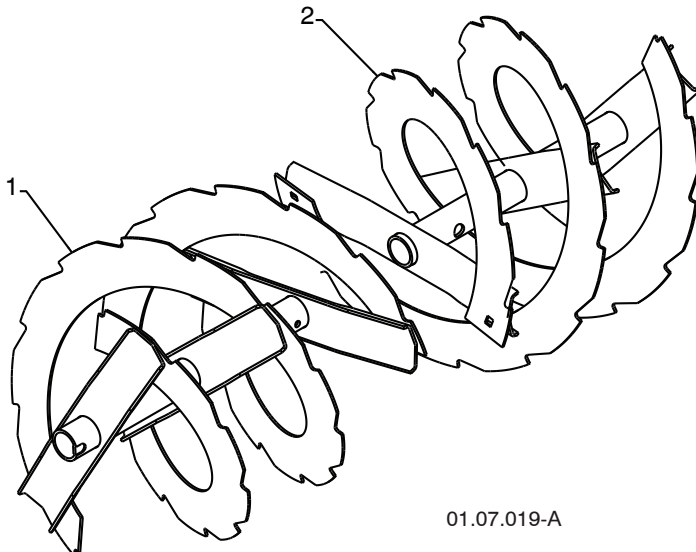
AUGER HOUSING / IMPELLER ASSEMBLY

SNOW THROWER - MODEL NO. 1830SB (96193005700), PRODUCT NO. 961 93 00-57



01.07.003-A

| KEY NO. | PART NO. | DESCRIPTION |
|---------|--------------|---------------------------|
| 1 | 532 41 77-07 | AUGER HOUSING |
| 2 | 532 43 58-30 | SCRAPER BAR |
| 3 | 872 27 05-05 | CARRIAGEBOLT 5/16-18X.625 |
| 4 | 532 15 53-77 | NUT 5/16-18 |



01.07.019-A

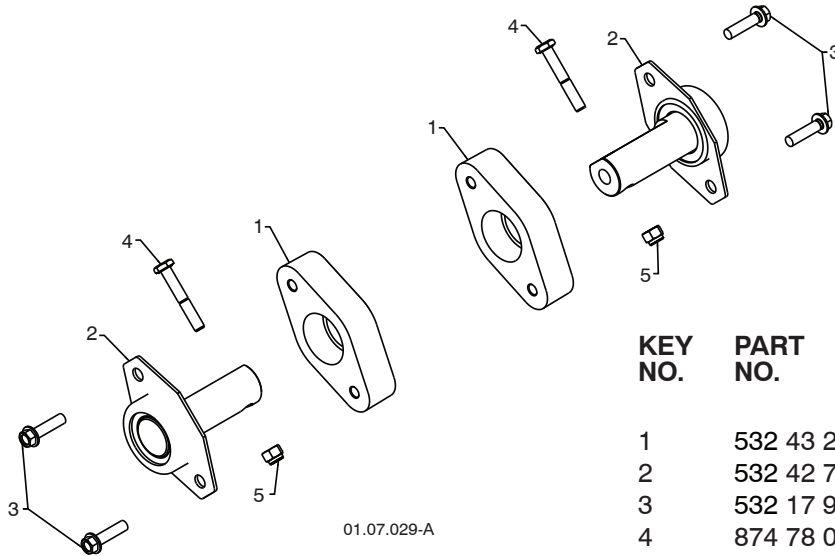
| KEY NO. | PART NO. | DESCRIPTION |
|---------|--------------|----------------------|
| 1 | 532 43 58-59 | AUGER ASSEMBLY 30 LH |
| 2 | 532 43 58-60 | AUGER ASSEMBLY 30 RH |

NOTE: All component dimensions given in U.S. inches. 1 inch = 25.4 mm
IMPORTANT: Use only Original Equipment Manufacturer (O.E.M.) replacement parts.
 Failure to do so could be hazardous, damage your snow thrower and void your warranty.

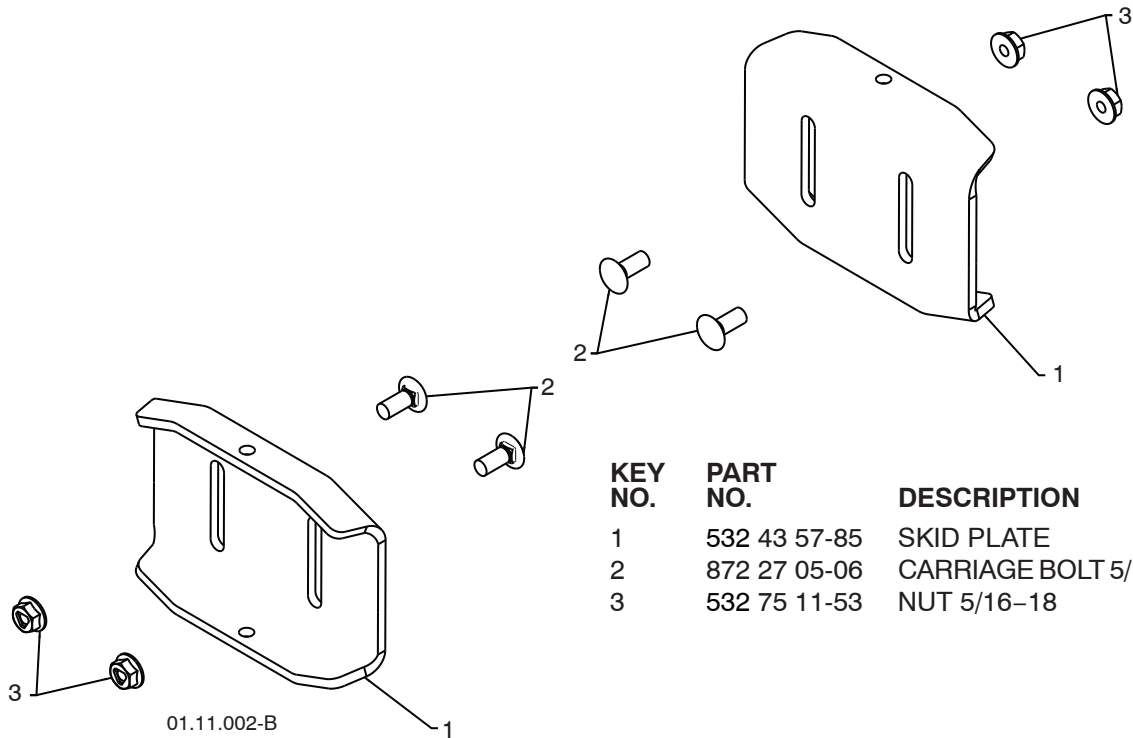
REPAIR PARTS

AUGER HOUSING / IMPELLER ASSEMBLY

SNOW THROWER - MODEL NO. 1830SB (96193005700), PRODUCT NO. 961 93 00-57



| KEY NO. | PART NO. | DESCRIPTION |
|---------|--------------|----------------------|
| 1 | 532 43 27-65 | PLASTIC RETAINER |
| 2 | 532 42 77-62 | AUGER BALL BEARING |
| 3 | 532 17 95-82 | SCREW 5/16-18 X 1.00 |
| 4 | 874 78 04-26 | SCREW 1/4-20 X .625 |
| 5 | 873 80 04-00 | NUT 1/4-20 |



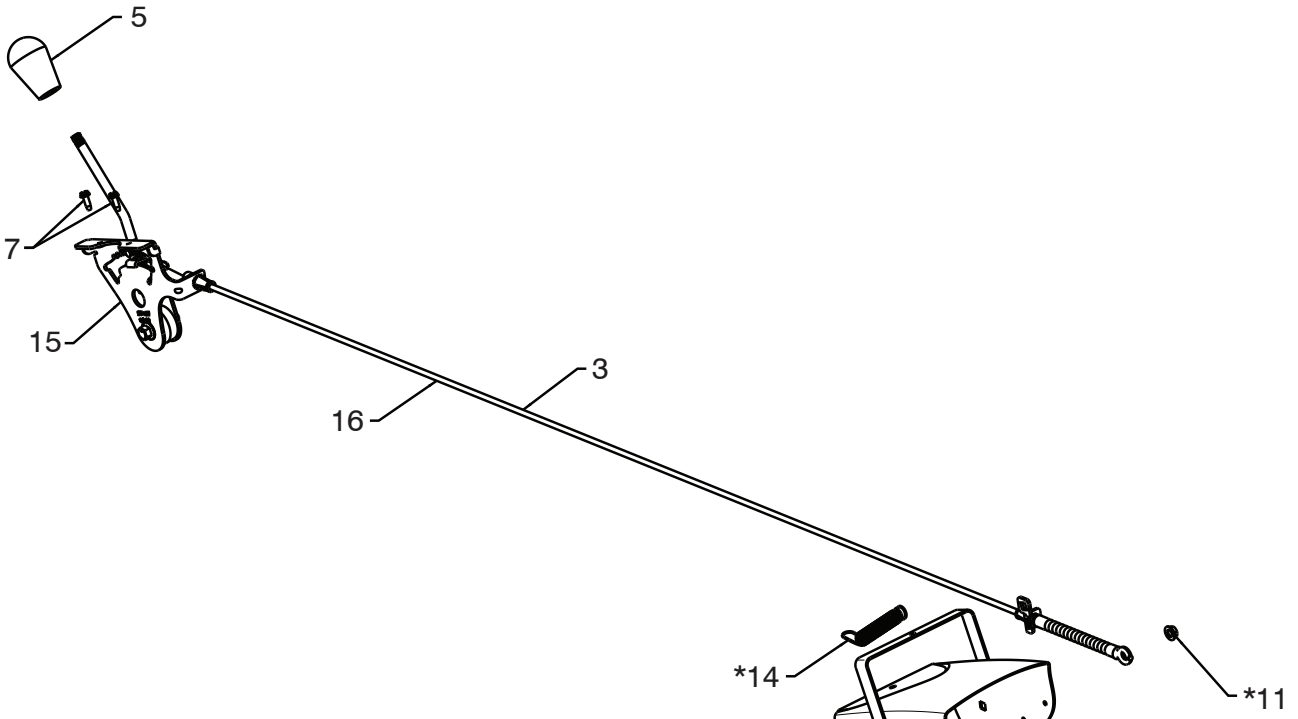
| KEY NO. | PART NO. | DESCRIPTION |
|---------|--------------|------------------------------|
| 1 | 532 43 57-85 | SKID PLATE |
| 2 | 872 27 05-06 | CARRIAGE BOLT 5/16-18 X .750 |
| 3 | 532 75 11-53 | NUT 5/16-18 |

NOTE: All component dimensions given in U.S. inches. 1 inch = 25.4 mm
IMPORTANT: Use only Original Equipment Manufacturer (O.E.M.) replacement parts.
 Failure to do so could be hazardous, damage your snow thrower and void your warranty.

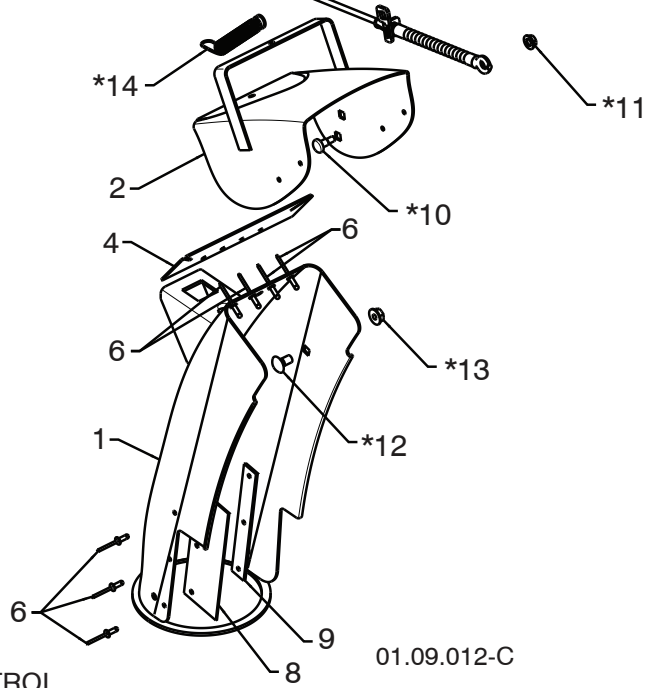
REPAIR PARTS

CONTROL PANEL / DISCHARGE CHUTE

SNOW THROWER - MODEL NO. 1830SB (96193005700), PRODUCT NO. 961 93 00-57



| KEY NO. | PART NO. | DESCRIPTION |
|---------|--------------|-------------------------------------|
| 1 | 532 43 57-91 | CHUTE WELDMENT |
| 2 | 532 18 41-13 | DEFLECTOR WELDMENT |
| 3 | 532 42 11-63 | DEFLECTOR CONTROL ASSEMBLY |
| 4 | 532 42 03-25 | DEFLECTOR SEAL |
| 5 | 532 41 42-80 | KNOB BLACK |
| 6 | 532 12 84-15 | POP RIVET |
| 7 | 817 50 10-10 | SCREW 10-24 X .625 |
| 8 | 532 43 03-24 | CHUTE SNOW SHIELD |
| 9 | 532 43 57-76 | SHIELD RETAINER STRAP |
| *10 | 532 17 98-29 | SHOULDER BOLT 1/4-20 X .375 |
| *11 | 532 19 17-30 | NUT 1/4-20 |
| *12 | 872 25 05-05 | CARRIAGE BOLT 3/8-16 X .625 |
| *13 | 532 75 11-53 | NUT 5/16-18 |
| *14 | 532 18 45-05 | DEFLECTOR SPRING |
| 15 | 532 42 06-79 | (SERVICE PART) DEFLECTOR CONTROL |
| 16 | 532 42 11-64 | (SERVICE PART) DEFLECTOR CABLE GRAY |



01.09.012-C

NOTE:

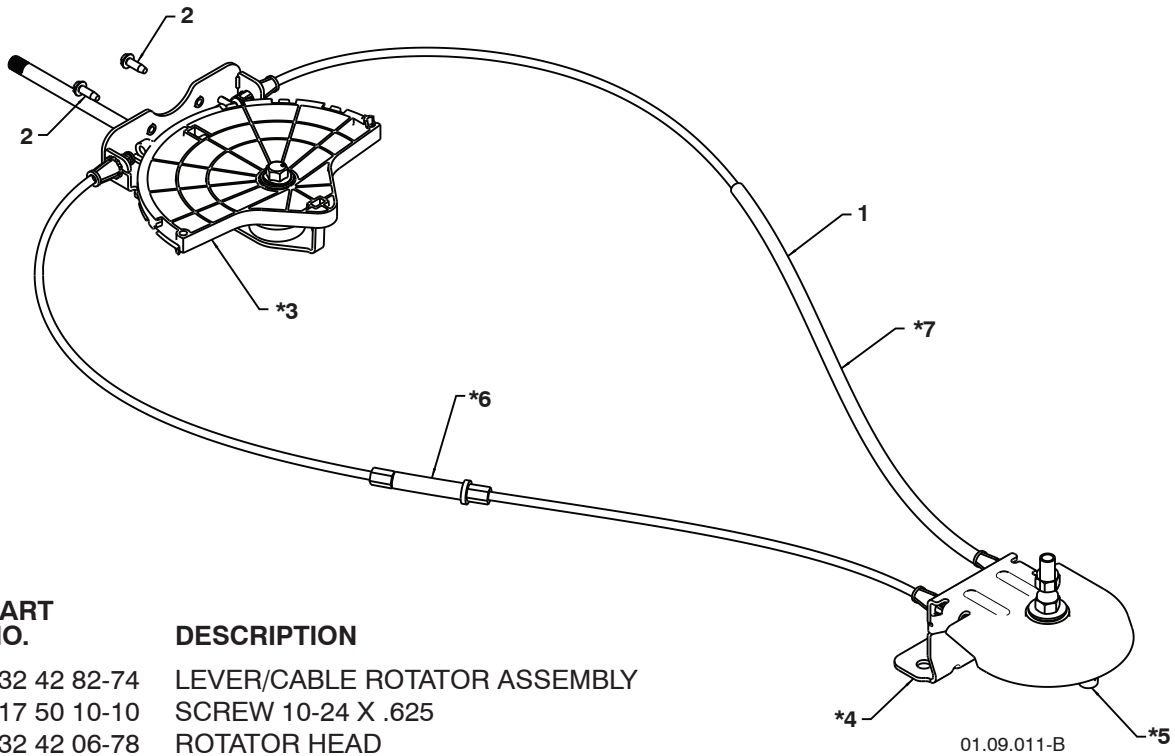
1. ALL ITEMS INDICATED WITH AN * ARE PROVIDED IN THE BAG OF ITEMS SHIPPED LOOSE WITH PRODUCT.
2. ITEMS 15 AND 16 ARE SERVICE PART NUMBERS TO ALLOW PURCHASE OF INDIVIDUAL ITEMS IF NECESSARY.

NOTE: All component dimensions given in U.S. inches. 1 inch = 25.4 mm
IMPORTANT: Use only Original Equipment Manufacturer (O.E.M.) replacement parts. Failure to do so could be hazardous, damage your snow thrower and void your warranty.

REPAIR PARTS

CONTROL PANEL / DISCHARGE CHUTE

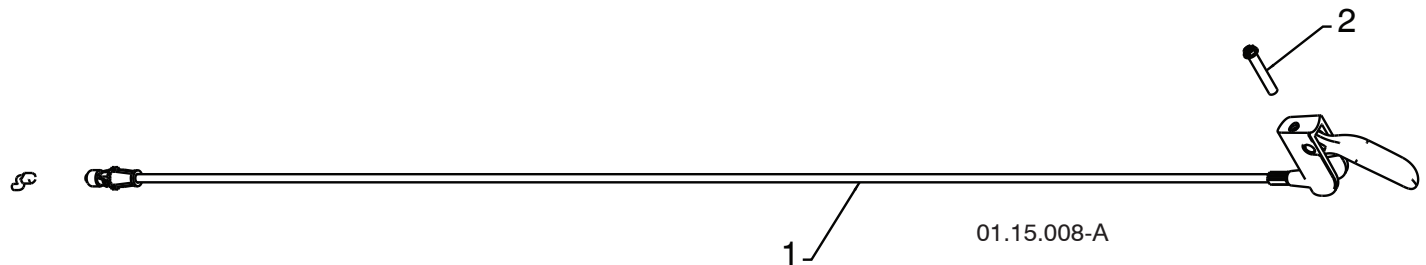
SNOW THROWER - MODEL NO. 1830SB (96193005700), PRODUCT NO. 961 93 00-57



| KEY NO. | PART NO. | DESCRIPTION |
|---------|--------------|---------------------------------|
| 1 | 532 42 82-74 | LEVER/CABLE ROTATOR ASSEMBLY |
| 2 | 817 50 10-10 | SCREW 10-24 X .625 |
| *3 | 532 42 06-78 | ROTATOR HEAD |
| *4 | 532 42 28-23 | ROTATOR PIVOT BRACKET |
| *5 | 532 42 06-75 | PULLEY PIVOT |
| *6 | 532 42 82-75 | CABLE ASSEMBLY ADJUSTABLE GRAY |
| *7 | 532 42 83-11 | CABLE ASSEMBLY HEAT SHIELD GRAY |

NOTES:

1. ITEMS INDICATED WITH AN * ARE LISTED AS REFERENCE FOR SERVICE PARTS ONLY.



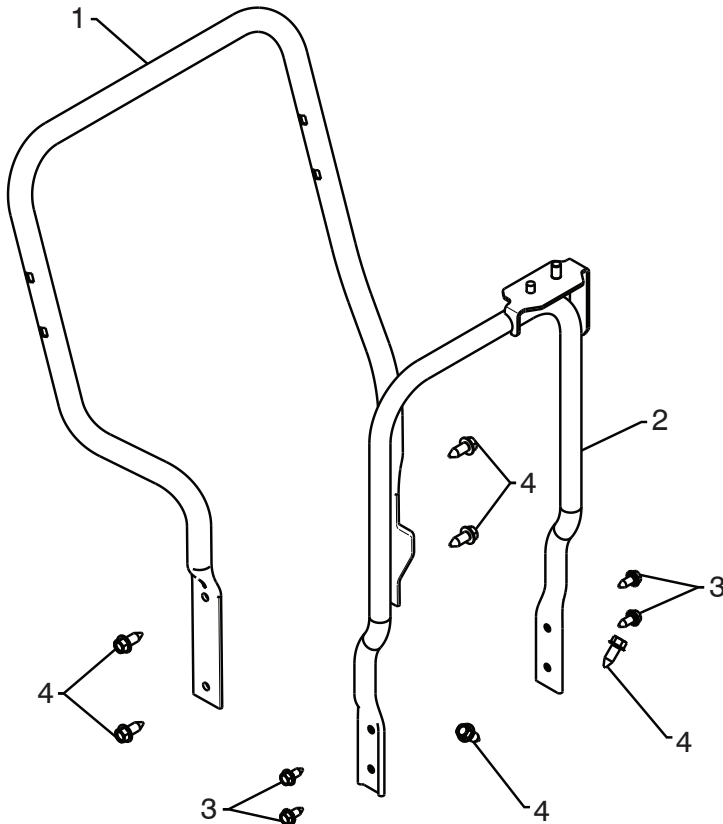
| KEY NO. | PART NO. | DESCRIPTION |
|---------|--------------|--------------------|
| 1 | 532 42 12-31 | STEER CABLE |
| 2 | 874 04 10-24 | SCREW 10-24 X 1.50 |

NOTE: All component dimensions given in U.S. inches. 1 inch = 25.4 mm
IMPORTANT: Use only Original Equipment Manufacturer (O.E.M.) replacement parts. Failure to do so could be hazardous, damage your snow thrower and void your warranty.

REPAIR PARTS

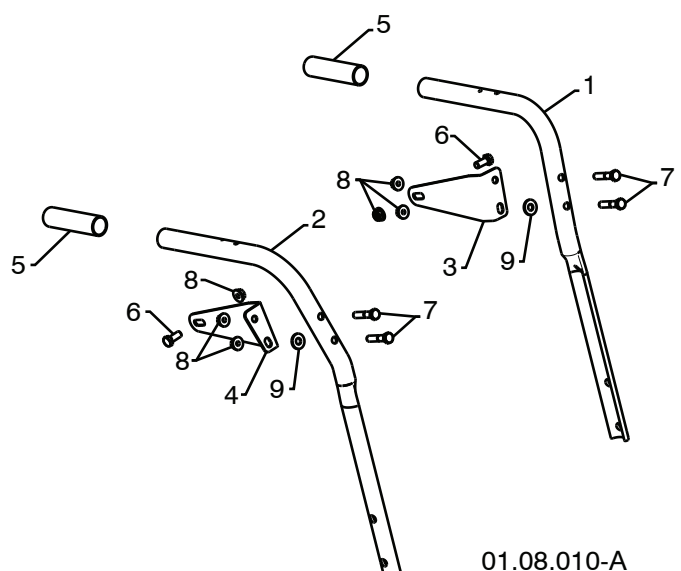
HANDLES

SNOW THROWER - MODEL NO. 1830SB (96193005700), PRODUCT NO. 961 93 00-57



01.05.014-A

| KEY NO. | PART NO. | DESCRIPTION |
|---------|--------------|---------------------|
| 1 | 532 42 17-05 | LOWER TUBE GRAY |
| 2 | 532 43 58-03 | PIVOT SUPPORT |
| 3 | 532 42 88-67 | BOLT 5/16-18 X .750 |
| 4 | 817 00 06-16 | SCREW 3/8-16 X 1.00 |



01.08.010-A

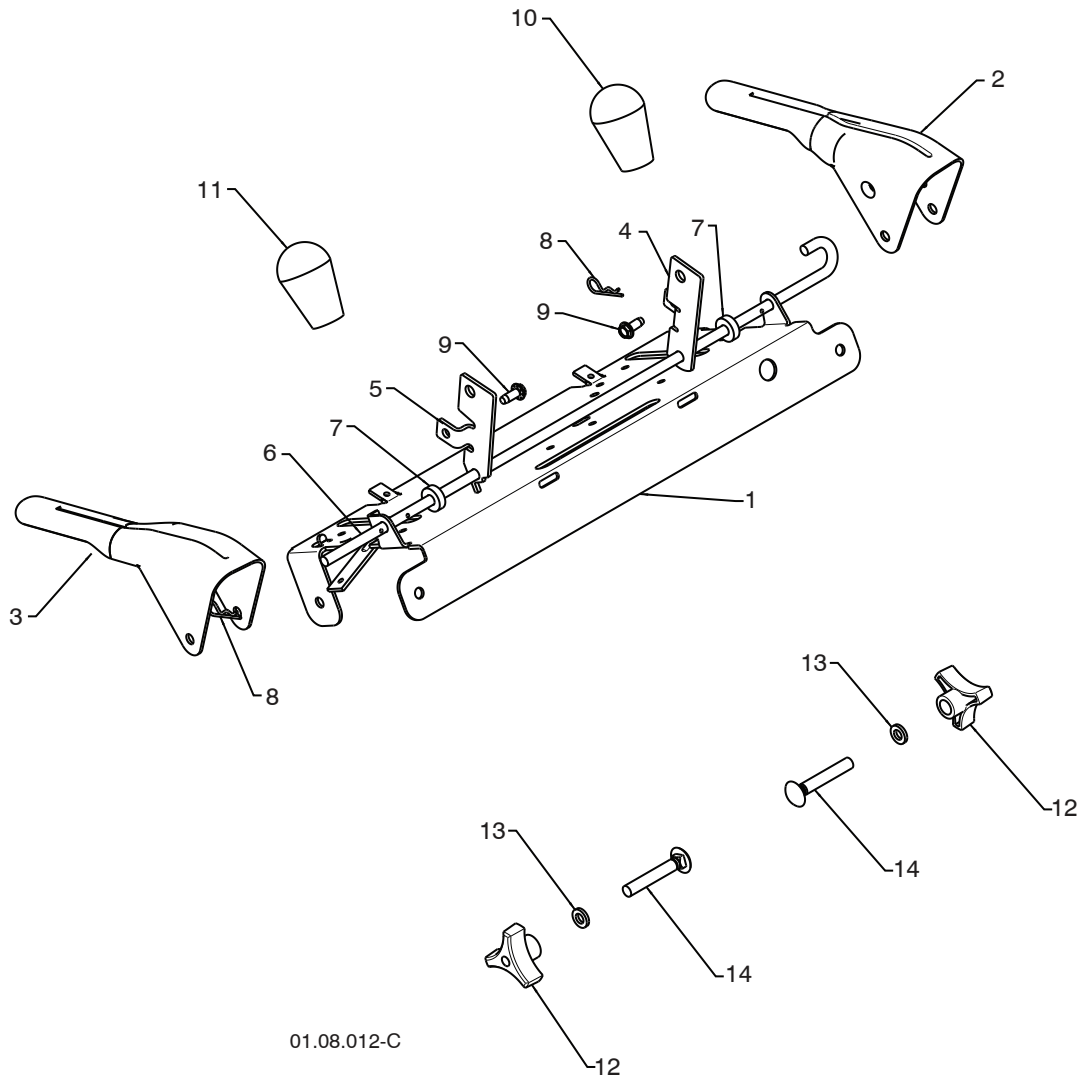
| KEY NO. | PART NO. | DESCRIPTION |
|---------|--------------|----------------------|
| 1 | 532 42 17-08 | PLOW HANDLE LH |
| 2 | 532 42 17-09 | PLOW HANDLE RH |
| 3 | 532 43 62-73 | PANEL BRACKET LH |
| 4 | 532 43 62-72 | PANEL BRACKET RH |
| 5 | 532 19 95-13 | HANDLE GRIP |
| 6 | 874 78 05-12 | SCREW 5/16-18 X .750 |
| 7 | 874 78 05-24 | SCREW 5/16-18 X 1.50 |
| 8 | 532 75 11-53 | NUT 5/16-18 |
| 9 | 532 15 54-15 | WASHER |

NOTE: All component dimensions given in U.S. inches. 1 inch = 25.4 mm
IMPORTANT: Use only Original Equipment Manufacturer (O.E.M.) replacement parts.
 Failure to do so could be hazardous, damage your snow thrower and void your warranty.

REPAIR PARTS

HANDLES

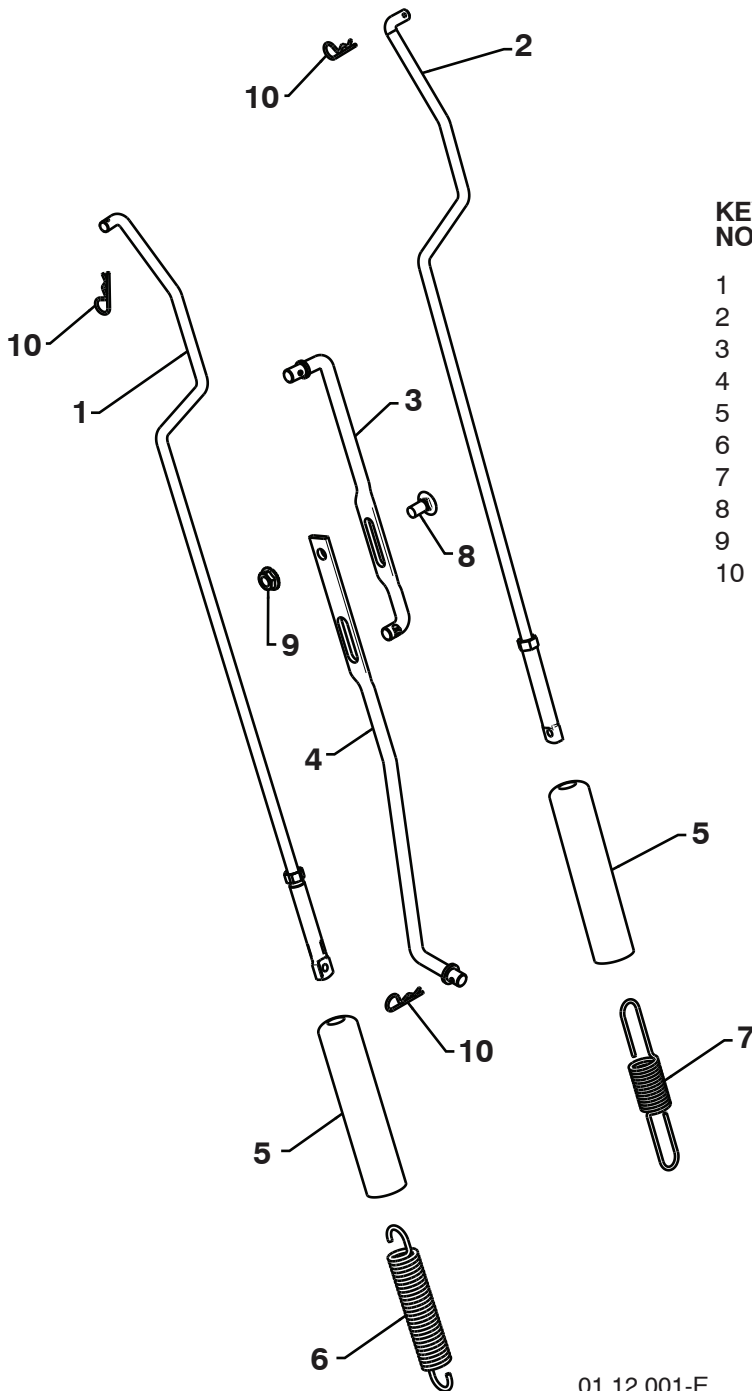
SNOW THROWER - MODEL NO. 1830SB (96193005700), PRODUCT NO. 961 93 00-57



01.08.012-C

| KEY NO. | PART NO. | DESCRIPTION |
|---------|--------------|-----------------------------|
| 1 | 532 43 58-04 | CONTROL PANEL |
| 2 | 532 42 91-50 | CONTROL LEVER LH |
| 3 | 532 42 91-51 | CONTROL LEVER RH |
| 4 | 532 42 90-97 | TRACTION ROD ARM |
| 5 | 532 42 90-98 | IMPELLER ROD ARM |
| 6 | 532 41 26-77 | INTERLOCK ROD |
| 7 | 532 42 16-13 | SPACER |
| 8 | 532 16 96-75 | RETAINER |
| 9 | 817 06 04-10 | SCREW 1/4-20 X .62 |
| 10 | 532 41 42-80 | KNOB BLACK |
| 11 | 532 41 42-81 | KNOB RED |
| 12 | 532 17 88-99 | HANDLE KNOB |
| 13 | 819 13 13-16 | WASHER 3/8 |
| 14 | 872 12 06-18 | CARRIAGE BOLT 3/8-16 X 2.25 |

NOTE: All component dimensions given in U.S. inches. 1 inch = 25.4 mm
IMPORTANT: Use only Original Equipment Manufacturer (O.E.M.) replacement parts. Failure to do so could be hazardous, damage your snow thrower and void your warranty.



| KEY NO. | PART NO. | DESCRIPTION |
|---------|--------------|-----------------------------|
| 1 | 532 18 04-80 | IMPELLER ROD ASSEMBLY |
| 2 | 532 40 57-40 | TRACTION ROD ASSEMBLY |
| 3 | 532 18 04-45 | SHIFTER ROD TOP |
| 4 | 532 18 77-16 | SHIFTER ROD BOTTOM |
| 5 | 532 18 04-47 | SPRING SLEEVE |
| 6 | 532 17 86-69 | IMPELLER SPRING |
| 7 | 532 18 09-26 | TRACTION SPRING |
| 8 | 872 27 05-05 | CARRIAGE BOLT 5/16-18 X .75 |
| 9 | 532 15 53-77 | NUT 5/16-18 |
| 10 | 532 16 96-75 | RETAINER |

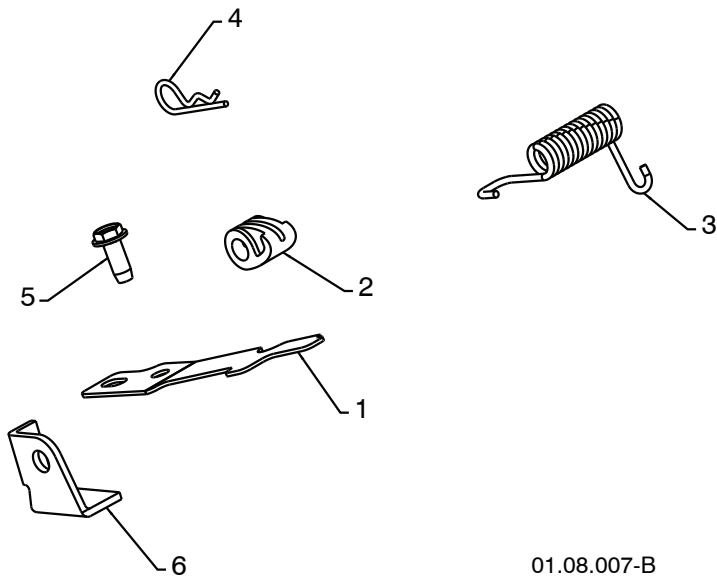
01.12.001-E

NOTE: All component dimensions given in U.S. inches. 1 inch = 25.4 mm
IMPORTANT: Use only Original Equipment Manufacturer (O.E.M.) replacement parts.
 Failure to do so could be hazardous, damage your snow thrower and void your warranty.

REPAIR PARTS

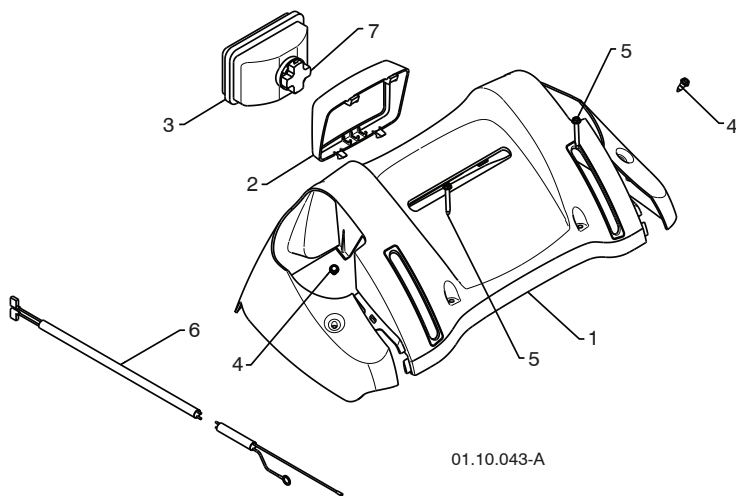
HANDLES

SNOW THROWER - MODEL NO. 1830SB (96193005700), PRODUCT NO. 961 93 00-57



| KEY NO. | PART NO. | DESCRIPTION |
|---------|--------------|---------------------|
| 1 | 532 43 58-06 | INTERLOCK SPRING |
| 2 | 532 41 45-72 | INTERLOCK CAM |
| 3 | 532 17 88-31 | TORSION SPRING |
| 4 | 532 16 96-75 | RETAINER |
| 5 | 817 06 04-10 | SCREW 1/4-20 X .625 |
| 6 | 532 43 58-05 | INTERLOCK STOP |

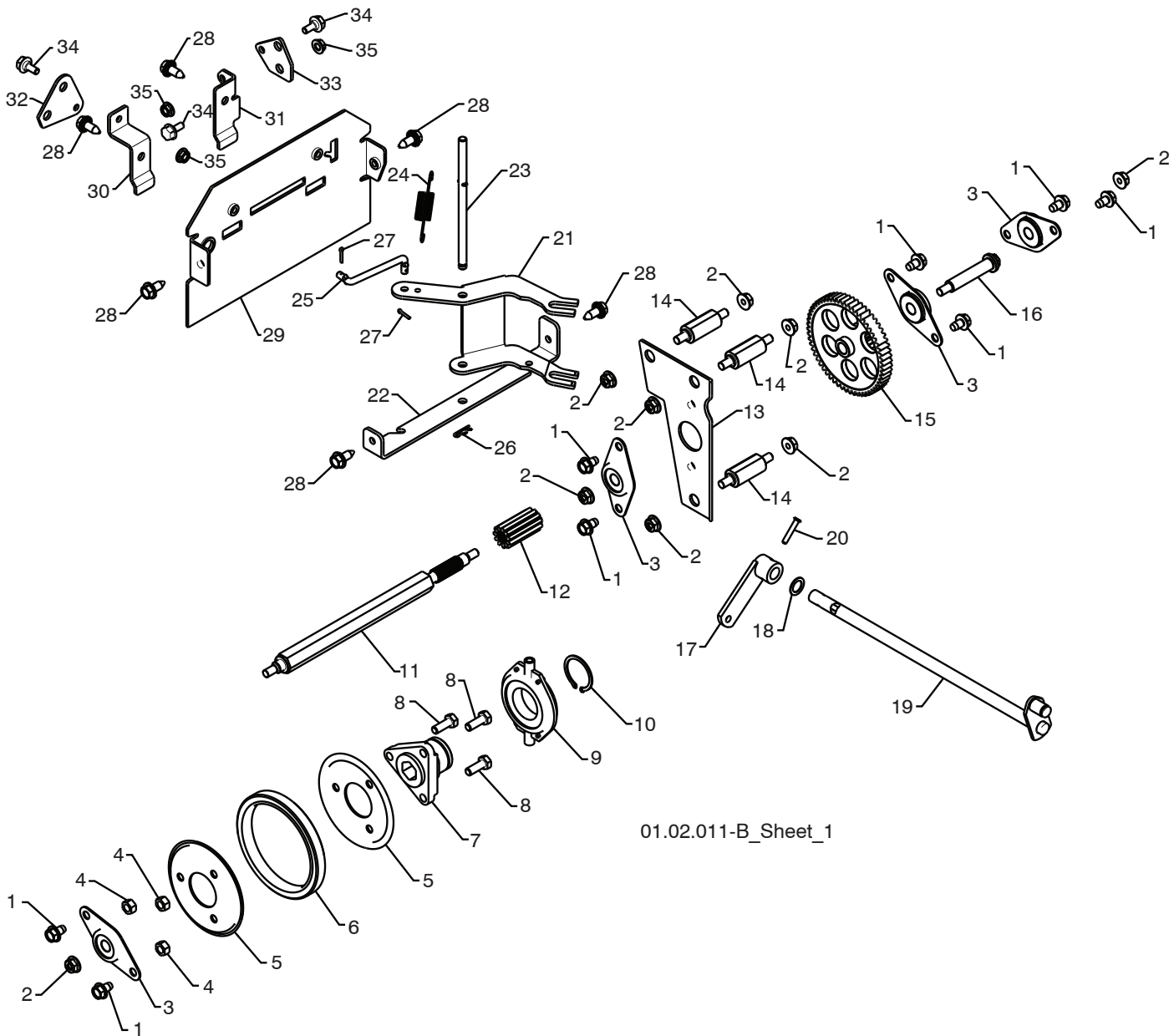
01.08.007-B



| KEY NO. | PART NO. | DESCRIPTION |
|---------|--------------|-----------------------------|
| 1 | 532 42 13-82 | CONSOLE PANEL GRAY |
| 2 | 532 42 14-48 | HEADLIGHT BEZEL GRAY |
| 3 | 532 18 09-27 | FLOOD HEADLIGHT |
| 4 | 532 18 44-71 | SHOULDER SCREW 10-24 X .625 |
| 5 | 532 17 52-62 | SCREW 10-24 X 1.25 |
| 6 | 532 17 87-70 | WIRE HARNESS |
| 7 | 532 18 37-84 | BULB |

01.10.043-A

NOTE: All component dimensions given in U.S. inches. 1 inch = 25.4 mm
IMPORTANT: Use only Original Equipment Manufacturer (O.E.M.) replacement parts.
 Failure to do so could be hazardous, damage your snow thrower and void your warranty.



01.02.011-B_Sheet_1

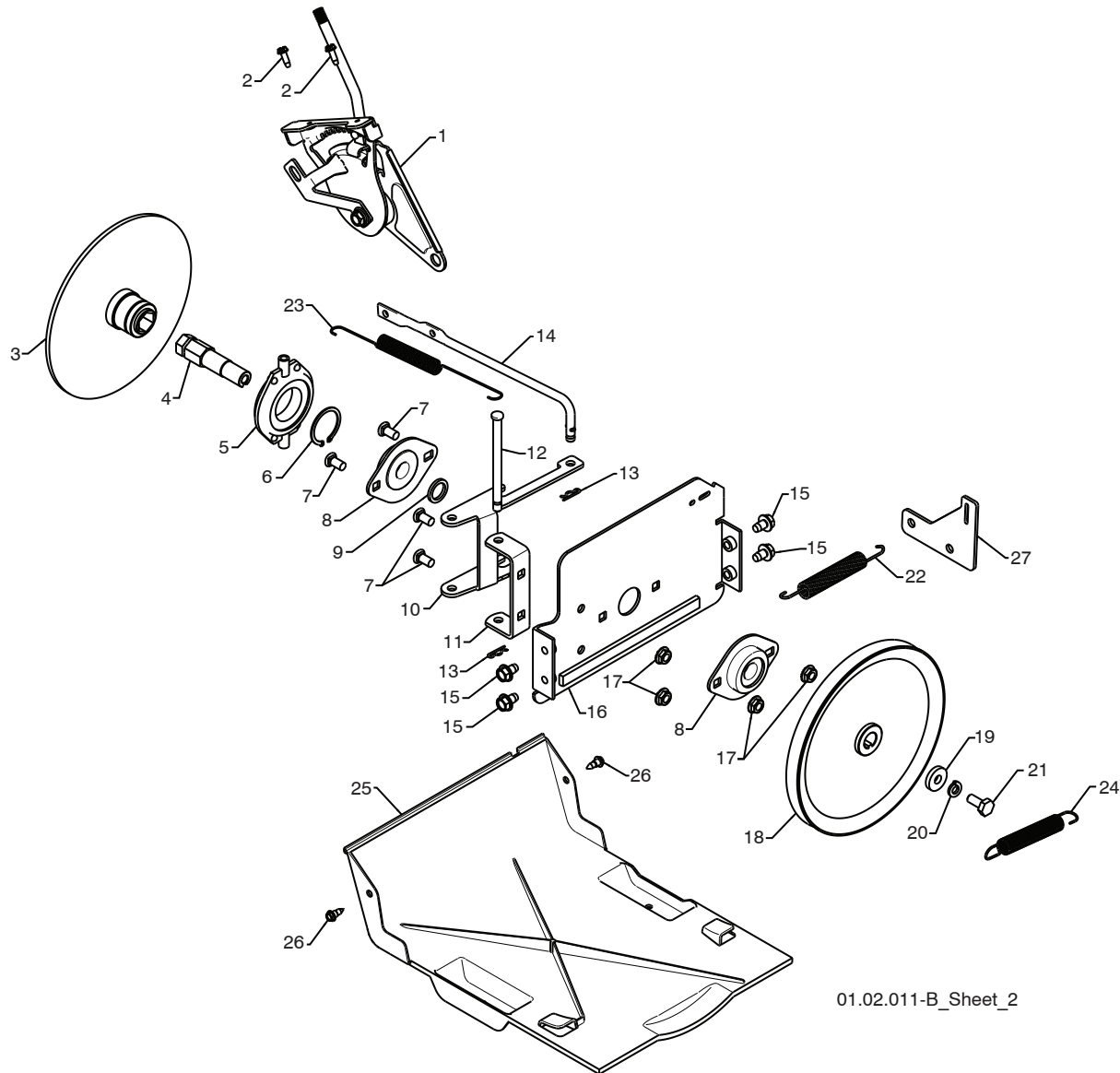
NOTE: All component dimensions given in U.S. inches. 1 inch = 25.4 mm
IMPORTANT: Use only Original Equipment Manufacturer (O.E.M.) replacement parts.
 Failure to do so could be hazardous, damage your snow thrower and void your warranty.

SNOW THROWER - MODEL NO. **1830SB** (96193005700), PRODUCT NO. 961 93 00-57

| KEY NO. | PART NO. | DESCRIPTION |
|---------|--------------|-----------------------------|
| 1 | 817 49 05-08 | BOLT 5/16-18 X .500 |
| 2 | 532 75 11-53 | NUT 5/16-18 |
| 3 | 532 18 00-17 | FLANGE BEARING |
| 4 | 873 93 05-00 | NUT 5/16-18 |
| 5 | 532 43 57-89 | RUBBER WHEEL PLATE |
| 6 | 532 17 98-31 | RUBBER WHEEL RING |
| 7 | 532 17 86-13 | RUBBER WHEEL HUB |
| 8 | 874 76 05-14 | BOLT 5/16-18 X .875 |
| 9 | 532 17 53-44 | TRUNNION BEARING ASSEMBLY |
| 10 | 812 00 00-12 | RETAINER |
| 11 | 532 18 00-66 | HEX SHAFT |
| 12 | 532 18 00-65 | PINION GEAR |
| 13 | 532 43 57-90 | AUXILIARY PLATE |
| 14 | 532 17 92-70 | SPACER PLATE |
| 15 | 532 18 00-82 | INTERMEDIATE GEAR |
| 16 | 532 18 01-34 | AUXILIARY SHAFT |
| 17 | 532 40 54-85 | CONTROL ARM |
| 18 | 532 05 70-79 | WASHER |
| 19 | 532 42 75-42 | CONTROL SHAFT ASSEMBLY |
| 20 | 532 19 85-80 | CLEVIS PIN |
| 21 | 532 43 57-92 | SHIFTER LEVER |
| 22 | 532 43 57-93 | PIVOT BRACKET |
| 23 | 532 17 88-07 | PIVOT PIN |
| 24 | 532 18 01-35 | SPRING |
| 25 | 532 18 71-01 | SHIFTER LINK |
| 26 | 532 08 51-79 | RETAINER |
| 27 | 532 70 02-79 | CLIP |
| 28 | 532 42 88-67 | SCREW 5/16-18 x .750 |
| 29 | 532 41 69-21 | REAR PLATE |
| 30 | 532 43 57-97 | SHIFTER PLATE BRACKET |
| 31 | 532 43 57-96 | CLUTCH PLATE BRACKET |
| 32 | 532 43 58-00 | SHIFTER PLATE |
| 33 | 532 43 57-99 | CLUTCH PLATE |
| 34 | 532 40 28-81 | SHOULDER BOLT 1/4-20 X .500 |
| 35 | 532 19 17-30 | NUT 1/4-20 |

NOTE: All component dimensions given in U.S. inches. 1 inch = 25.4 mm

IMPORTANT: Use only Original Equipment Manufacturer (O.E.M.) replacement parts. Failure to do so could be hazardous, damage your snow thrower and void your warranty.

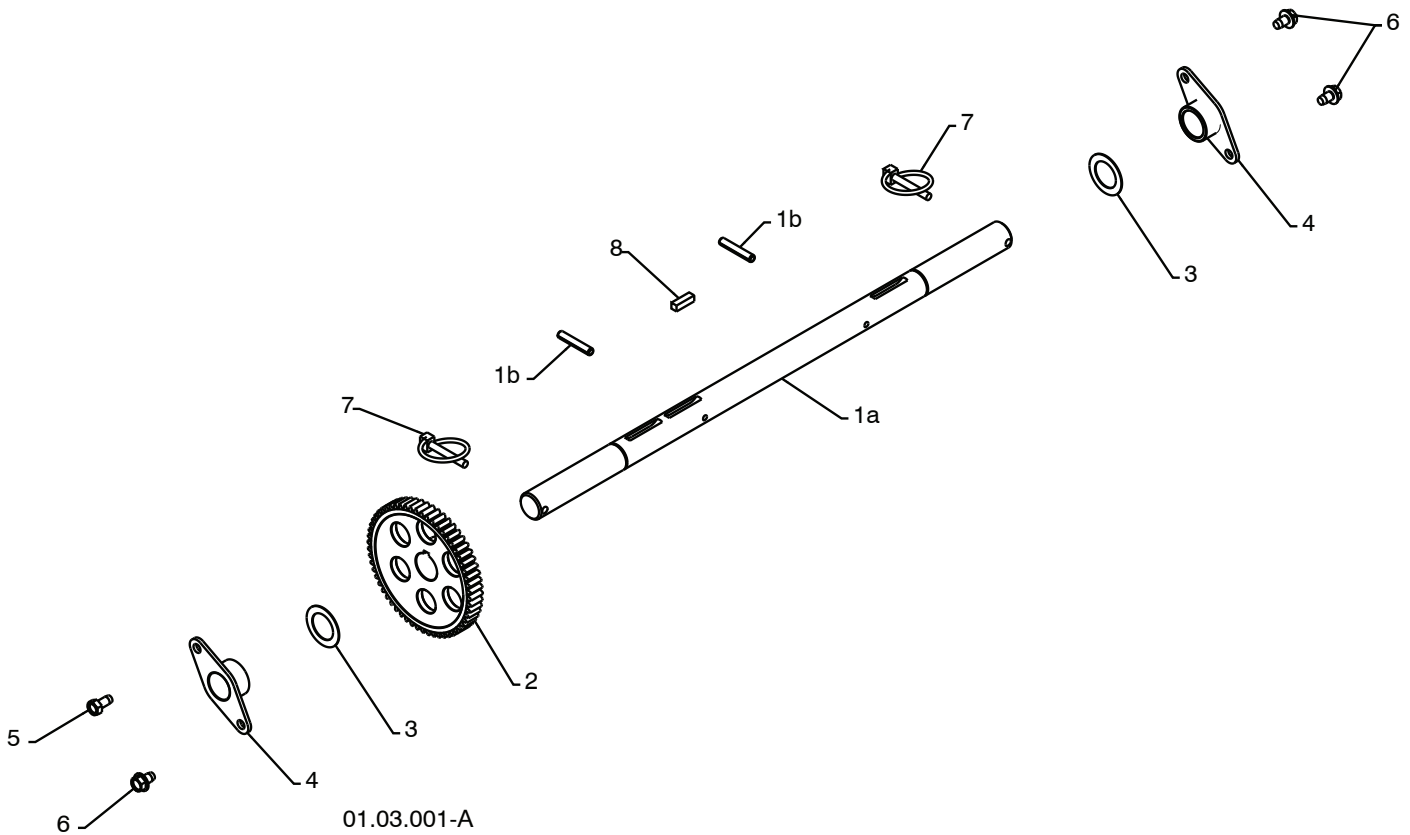


01.02.011-B_Sheet_2

| KEY NO. | PART NO. | DESCRIPTION | KEY NO. | PART NO. | DESCRIPTION |
|---------|--------------|------------------------------|---------|--------------|-------------------------|
| 1 | 532 19 88-75 | SPEED SELECTOR HEAD ASSEM- | 14 | 532 40 33-00 | CLUTCH ROD |
| BLY | | | 15 | 817 49 05-08 | BOLT 5/16-18 X .500 |
| 2 | 817 50 10-10 | SCREW 10-24 X .625 | 16 | 532 43 57-83 | DRIVE MOUNT PLATE |
| 3 | 532 19 77-63 | DRIVE PLATE WELDMENT | 17 | 532 15 53-77 | NUT 5/16-18 |
| 4 | 532 19 77-64 | HEX SHAFT | 18 | 532 19 10-80 | TRACTION PULLEY |
| 5 | 532 17 53-44 | TRUNNION BEARING ASSEMBLY | 19 | 819 11 15-07 | WASHER |
| 6 | 812 00 00-12 | RETAINER | 20 | 810 04 05-00 | LOCKWASHER 5/16 |
| 7 | 872 27 05-05 | CARRIAGE BOLT 5/16-18 X .625 | 21 | 874 95 05-12 | SCREW 5/16-18 X .750 |
| 8 | 532 18 89-09 | FLANGE BEARING | 22 | 532 41 45-57 | TRACTION SPRING |
| 9 | 532 18 25-04 | SPACER | 23 | 532 17 90-95 | RETURN SPRING |
| 10 | 532 43 57-87 | LEVER SHIFTER PLATE | 24 | 532 17 88-28 | BRAKE SPRING |
| 11 | 532 43 57-84 | SHIFTER SUPPORT BRACKET | 25 | 532 41 08-77 | BOTTOM PAN |
| 12 | 532 17 86-95 | PIN | 26 | 532 18 44-71 | SCREW 10-24 X .625 |
| 13 | 532 08 51-79 | RETAINER | 27 | 532 43 57-72 | TRACTION SPRING BRACKET |

NOTE: All component dimensions given in U.S. inches. 1 inch = 25.4 mm

IMPORTANT: Use only Original Equipment Manufacturer (O.E.M.) replacement parts. Failure to do so could be hazardous, damage your snow thrower and void your warranty.



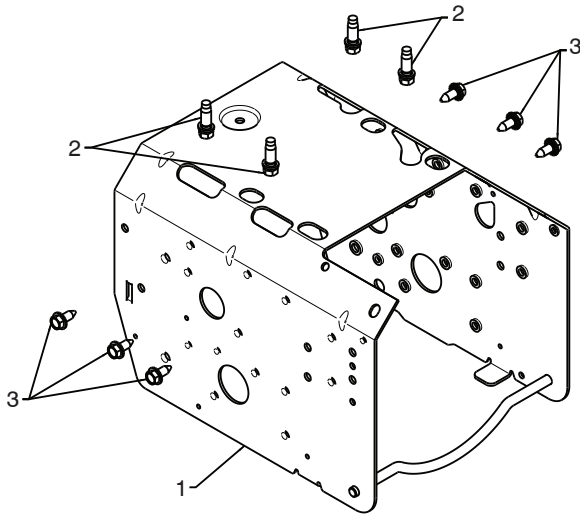
| KEY NO. | PART NO. | DESCRIPTION |
|---------|--------------|-------------------------------|
| 1 | 532 40 49-23 | (assy of 1a,1b) AXLE ASSEMBLY |
| 1a | 532 40 43-07 | AXLE SHAFT |
| 1b | 532 18 42-06 | ROLL PIN 3/16 |
| 2 | 532 18 00-81 | GEAR |
| 3 | 532 17 46-97 | THRUST WASHER |
| 4 | 532 17 98-30 | AXLE BEARING |
| 5 | 532 14 63-15 | SCREW 5/16-18 X .625 |
| 6 | 817 49 05-08 | BOLT 5/16-18 X .500 |
| 7 | 532 15 54-43 | CLIK PIN |
| 8 | 532 18 92-82 | SQUARE KEY |

NOTE: All component dimensions given in U.S. inches. 1 inch = 25.4 mm
IMPORTANT: Use only Original Equipment Manufacturer (O.E.M.) replacement parts.
 Failure to do so could be hazardous, damage your snow thrower and void your warranty.

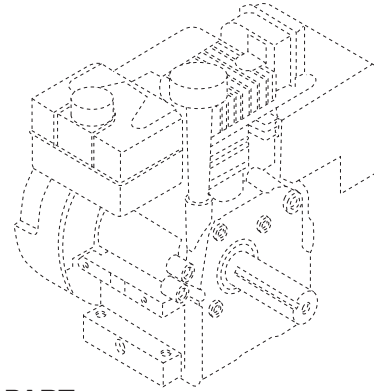
REPAIR PARTS

CHASSIS / ENGINE / PULLEYS

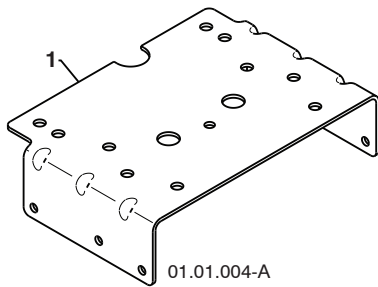
SNOW THROWER - MODEL NO. 1830SB (96193005700), PRODUCT NO. 961 93 00-57



01.00.033-A

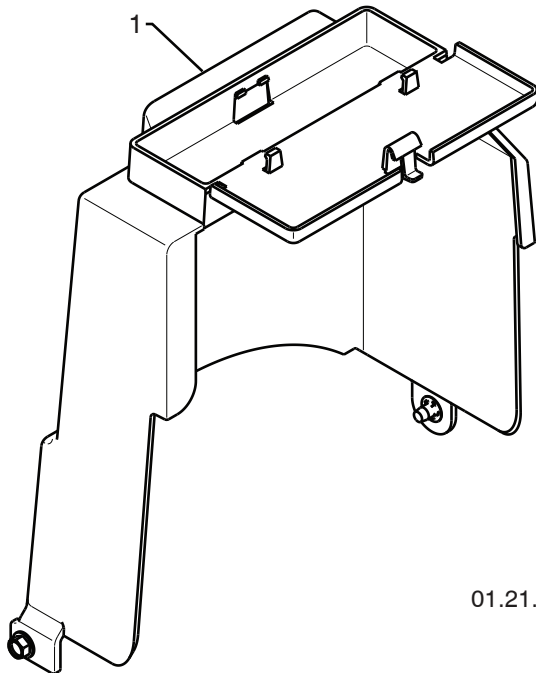


| KEY NO. | PART NO. | DESCRIPTION |
|---------|--------------|----------------------|
| -- | 532 42 81-76 | COMPLETE LCT ENGINE |
| 1 | 532 42 92-03 | FRAME |
| 2 | 532 15 04-06 | BOLT 3/8-16 |
| 3 | 532 42 88-67 | SCREW 5/16-18 X .750 |



01.01.004-A

| KEY NO. | PART NO. | DESCRIPTION |
|---------|--------------|-----------------------|
| 1 | 532 42 92-69 | ENGINE MOUNTING PLATE |



01.21.014-C

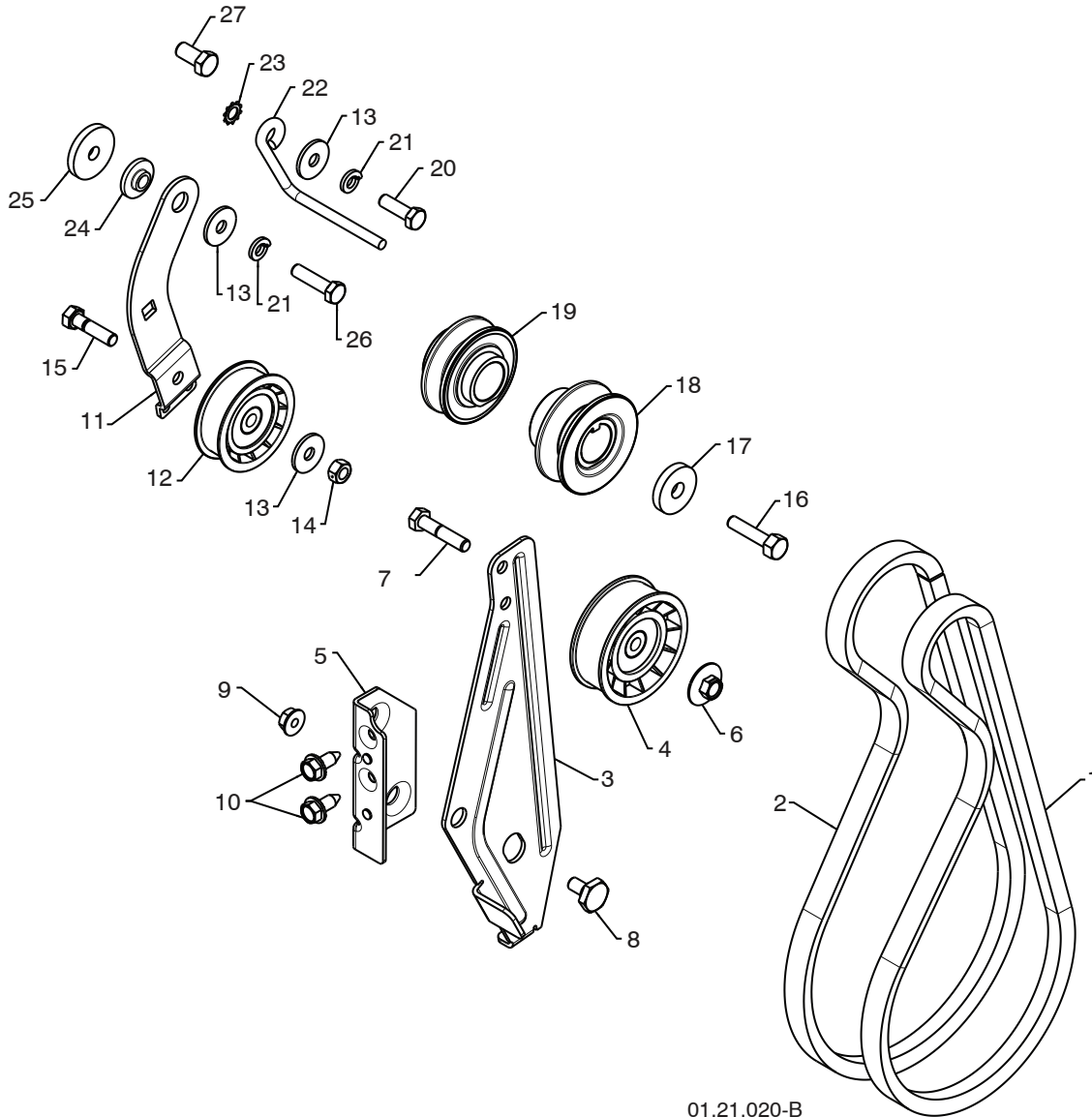
| KEY NO. | PART NO. | DESCRIPTION |
|---------|--------------|----------------|
| 1 | 532 42 86-85 | COVER ASSEMBLY |

NOTE: All component dimensions given in U.S. inches. 1 inch = 25.4 mm
IMPORTANT: Use only Original Equipment Manufacturer (O.E.M.) replacement parts.
 Failure to do so could be hazardous, damage your snow thrower and void your warranty.

REPAIR PARTS

CHASSIS / ENGINE / PULLEYS

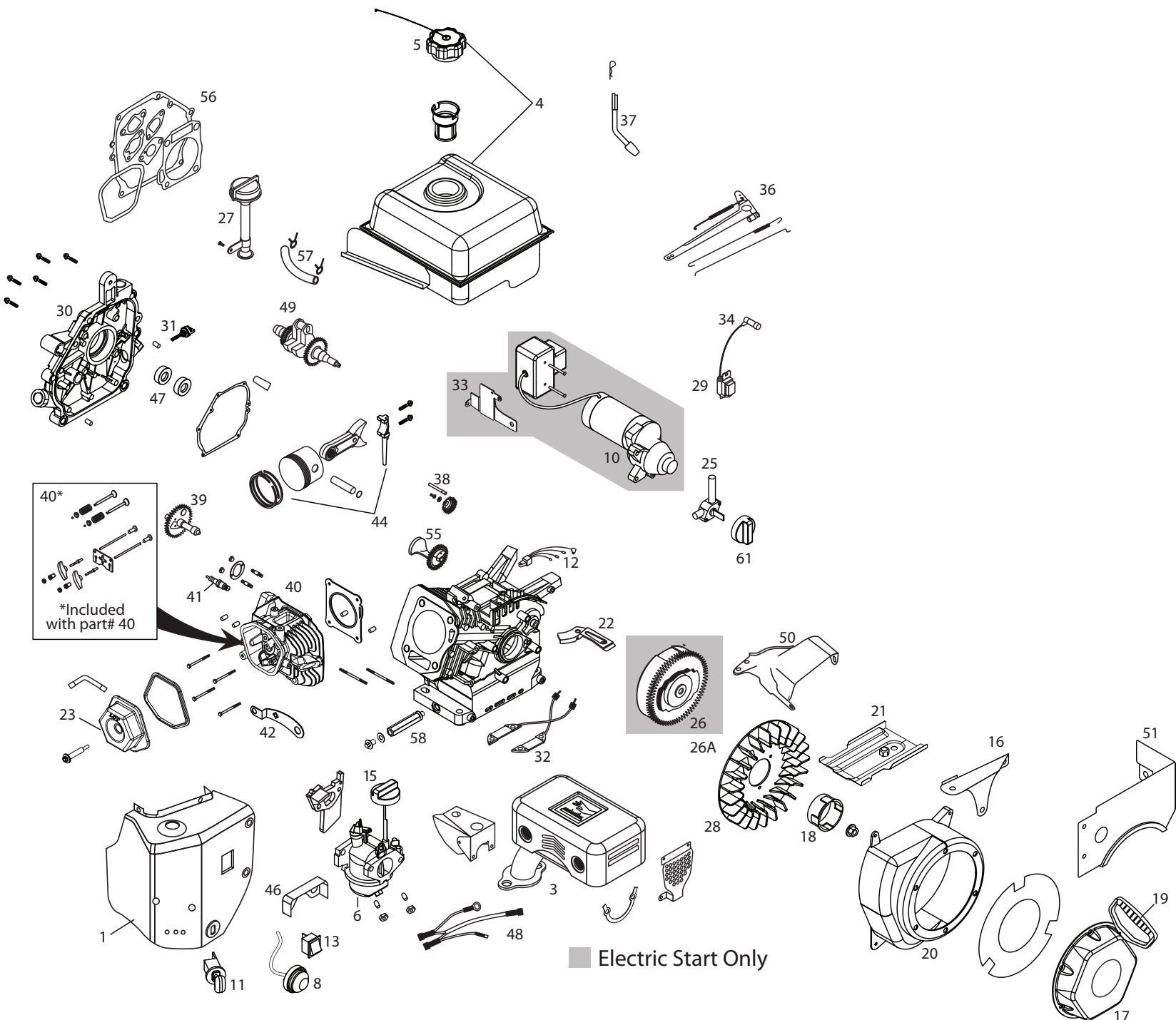
SNOW THROWER - MODEL NO. 1830SB (96193005700), PRODUCT NO. 961 93 00-57



01.21.020-B

| KEY NO. | PART NO. | DESCRIPTION | KEY NO. | PART NO. | DESCRIPTION |
|---------|--------------|-----------------------------|---------|--------------|-----------------------|
| 1 | 532 41 98-88 | IMPELLER BELT | 15 | 874 78 05-20 | SCREW 5/16-18 X 1.25 |
| 2 | 532 42 73-04 | TRACTION BELT | 16 | 532 85 10-84 | SCREW 3/8-24 X 1 .375 |
| 3 | 532 43 58-02 | IDLER ARM BRACKET | 17 | 819 13 20-05 | WASHER |
| 4 | 532 18 05-23 | IDLER PULLEY | 18 | 532 42 59-34 | PULLEY ENG IMPELLER |
| 5 | 532 43 58-01 | IDLER BRACKET | 19 | 532 42 59-33 | PULLEY ENG TRACTION |
| 6 | 532 42 65-89 | NUT 5/16-18 | 20 | 874 61 05-16 | SCREW 5/16-24 X 1.00 |
| 7 | 874 78 05-24 | SCREW 5/16-18 X 1.50 | 21 | 810 04 05-00 | LOCKWASHER 5/16 |
| 8 | 532 42 42-97 | SHOULDER BOLT 5/16-18 X .50 | 22 | 532 15 54-52 | BELT GUIDE |
| 9 | 532 75 11-53 | NUT 5/16-18 LOCK | 23 | 811 05 05-00 | LOCKWASHER 5/16 |
| 10 | 532 42 88-67 | SCREW 5/16-18 X .625 | 24 | 532 17 53-31 | IDLER BUSHING |
| 11 | 532 42 75-76 | TRACTION IDLER BRACKET | 25 | 819 11 22-06 | WASHER |
| 12 | 532 18 05-22 | TRACTION PULLEY | 26 | 874 61 05-20 | SCREW 5/16-24 X 1.25 |
| 13 | 532 05 92-89 | WASHER | 27 | 874 76 06-08 | SCREW 3/8-16 X .750 |
| 14 | 873 80 05-00 | NUT 5/16-18 | | | |

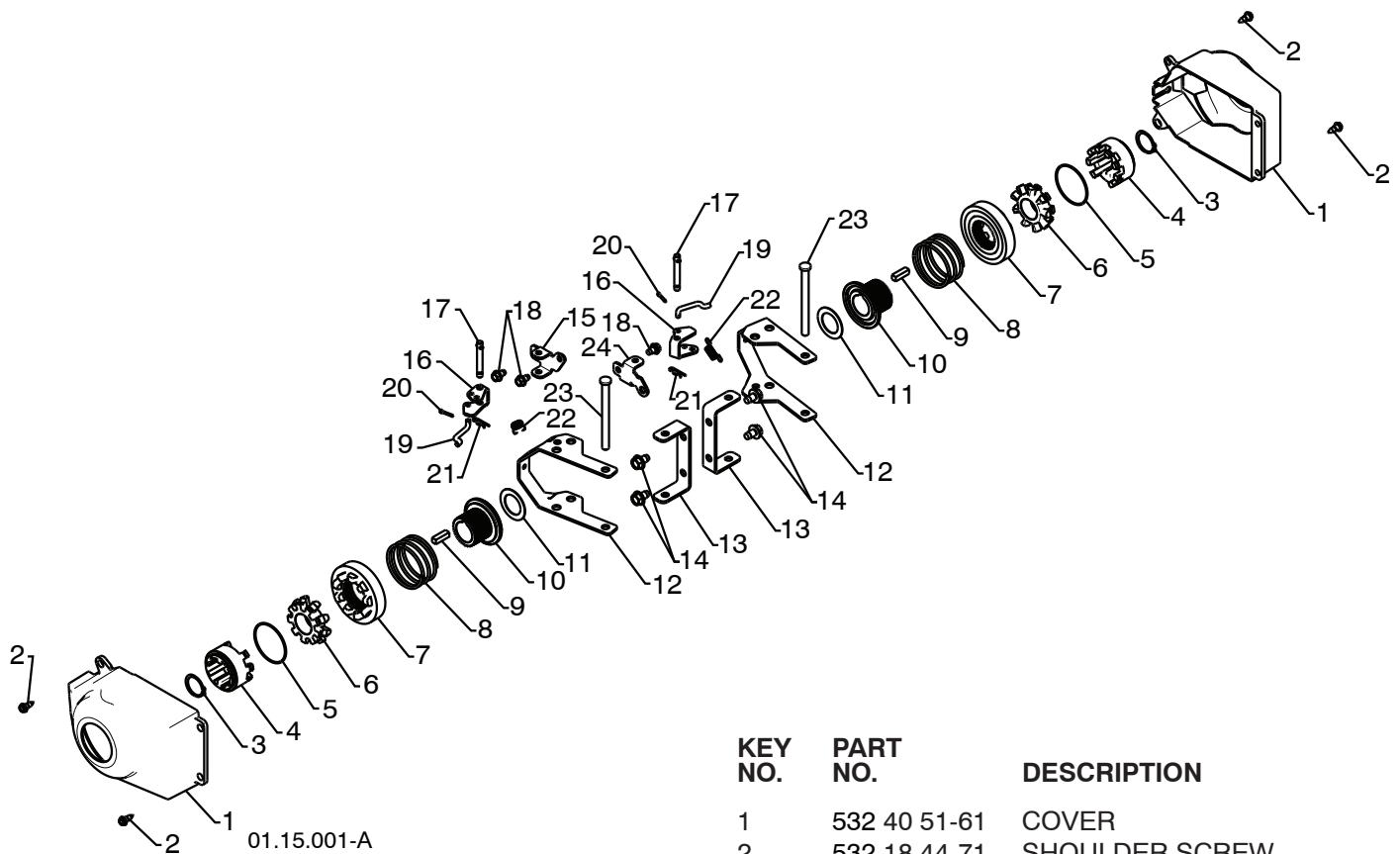
NOTE: All component dimensions given in U.S. inches. 1 inch = 25.4 mm
IMPORTANT: Use only Original Equipment Manufacturer (O.E.M.) replacement parts.
 Failure to do so could be hazardous, damage your snow thrower and void your warranty.



40*
 *Included with part# 40

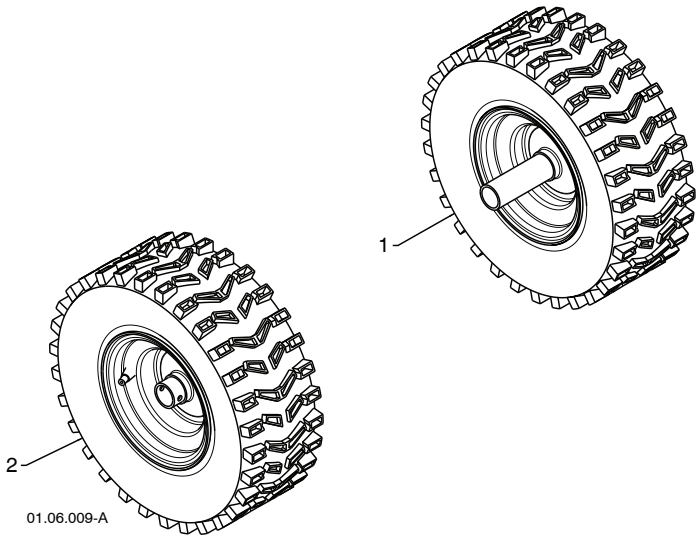
■ Electric Start Only

| 414CC SERVICE KIT BREAKDOWN | | |
|---|--|-----------|
| 414cc SNOW ENGINE - PLMHK191150781DE-ABGIJOQUE1MK | | |
| REFERENCE # | PART DESCRIPTION | PART # |
| 1 | HEATER BOX ASSEMBLY-SNOW | 532429294 |
| 3 | MUFFLER ASSEMBLY-SNOW | 532429208 |
| 4 | FUEL TANK ASSEMBLY-SNOW | 532429209 |
| 5 | FUEL TANK CAP-OVERSIZED (CLICK STYLE) | 532429211 |
| 6 | CARBURETOR ASSEMBLY-SNOW | 532429295 |
| 7 | CHOKE LEVER,CARBURETOR-SNOW | 532429296 |
| 8 | PRIMER BULB ASSEMBLY W/HOSE-SNOW | 532429218 |
| 10 | ELECTRIC STARTER ASSEMBLY-SNOW | 532429297 |
| 11 | KEY SWITCH ASSEMBLY-SNOW | 532429221 |
| 12 | CDI BOX ASSEMBLY-SNOW | 532429222 |
| 13 | ON/OFF SWITCH-SNOW | 532429223 |
| 15 | CHOKE KNOB-SNOW | 532429224 |
| 16 | GOVERNOR LINKAGE SHIELD PLATE-SNOW | 532429798 |
| 17 | RECOIL STARTER ASSEMBLY-SNOW (INCLUDES SCREWS) | 532429299 |
| 18 | STARTER CUP SMALL-SNOW | 532429300 |
| 19 | STARTER GRIP-SNOW | 532429301 |
| 20 | BLOWER HOUSING ASSEMBLY, ELECTRIC START-SNOW (INCLUDES SCREWS) | 532429302 |
| 21 | SHIELD, CYLINDER | 532429231 |
| 22 | SHIELD, UNDER FLYWHEEL CHARGING SYSTEM-SNOW | 532429232 |
| 23 | VALVE COVER | 532429303 |
| 25 | FUEL PETCOCK, SNOW | 532429234 |
| 26 | FLYWHEEL ASSEMBLY, ELECTRIC START-SNOW | 532429304 |
| 26A | FLYWHEEL ASSEMBLY, MANUAL START-SNOW | 532429305 |
| 27 | HIGH OIL FILL ASSY KIT, SNOW | 532429237 |
| 28 | FLYWHEEL FAN | 532429306 |
| 29 | IGNITION COIL ASSY | 532429307 |
| 30 | CRANKCASE COVER ASSY | 532429308 |
| 31 | NON-REMOVABLE OIL PLUG | 532429242 |
| 32 | CHARGING COIL AC/DC | 532429243 |
| 33 | ELECTRIC STARTER BRACKET | 532429290 |
| 34 | SPARK PLUG BOOT | 532429309 |
| 36 | GOVERNOR ARM ASSY | 532429310 |
| 37 | GOVERNOR SHAFT | 532429311 |
| 38 | GOVERNOR GEAR ASSEMBLY | 532429312 |
| 39 | CAMSHAFT | 532429313 |
| 40 | CYLINDER HEAD ASSY (INCLUDES BOLT AND SHAFT) | 532429605 |
| 41 | SPARK PLUG | 532429255 |
| 42 | CDI BOX BRACKET-SNOW | 532429257 |
| 44 | PISTON AND ROD ASSY | 532429315 |
| 46 | VAPOR SHIELD | 532429213 |
| 47 | SEAL KIT | 532429316 |
| 48 | WIRE HARNESS | 532429284 |
| 49 | CRANKSHAFT | 532429317 |
| 50 | TOP SHIELD | 532429286 |
| 51 | FUEL TANK SKIRT | 532429318 |
| 52 | ROCKER ARM KIT (INCLUDED WITH PART # 40) | 532429612 |
| 53 | PUSH ROD TAPPET KIT (INCLUDED WITH PART # 40) | 532429606 |
| 54 | CYLINDER ASSY | 532429607 |
| 55 | COUNTER WEIGHT KIT | 532429608 |
| 56 | ENGINE GASKET KIT | 532429609 |
| 57 | FUEL HOSE KIT | 532432146 |
| 58 | EXTENDED OIL DRAIN TUBE | 532432687 |
| 59 | 414CC MANUAL START SHORT BLOCK | 532429650 |
| 60 | 414CC ELECTRIC START SHORT BLOCK | 532429651 |
| 61 | FUEL KNOB-SNOW | 532432752 |
| | CHOKE LEVER, CARBURETOR-SNOW | 532429296 |
| | 414CC COMPLETE ENGINE | 532428176 |
| | REWIND DECAL | 532428715 |
| | HUSQVARNA CROWN DECAL | 532428676 |
| | CYLINDER HEAD ASSY - 45 DEGREE | 532429605 |
| | OIL PLUG | 532435494 |
| | RECOIL BOLT KIT | 532432688 |
| | ENGINE BOLT KIT | 532432691 |

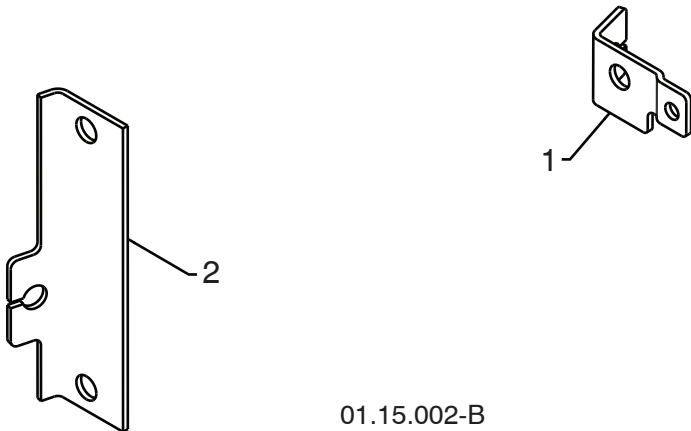


| KEY NO. | PART NO. | DESCRIPTION |
|---------|--------------|---------------------|
| 1 | 532 40 51-61 | COVER |
| 2 | 532 18 44-71 | SHOULDER SCREW |
| 3 | 812 00 00-45 | RETAINER RING |
| 4 | 532 19 21-26 | WHEEL DRIVER |
| 5 | 532 18 24-66 | RETAINER RING |
| 6 | 532 18 76-22 | WHEEL LOBE |
| 7 | 532 19 49-41 | CLUTCH SLIDE |
| 8 | 532 17 91-39 | SPRING |
| 9 | 532 18 92-82 | SQUARE KEY |
| 10 | 532 19 49-40 | AXLE LOBE |
| 11 | 532 17 46-97 | THRUST WASHER |
| 12 | 532 43 58-25 | STEERING YOKE |
| 13 | 532 43 58-23 | STEERING BRACKET |
| 14 | 817 49 05-08 | SCREW 5/16-18 X .50 |
| 15 | 532 19 95-11 | PIVOT BRACKET |
| 16 | 532 19 95-18 | BELLCRANK |
| 17 | 532 18 18-47 | BELLCRANK PIN |
| 18 | 817 60 04-06 | SCREW 1/4-20 X .375 |
| 19 | 532 40 50-77 | STEERING LINK |
| 20 | 532 70 02-79 | RETAINER |
| 21 | 532 08 51-79 | RETAINER |
| 22 | 532 19 38-85 | SPRING |
| 23 | 532 18 20-15 | LEVER PIN |
| 24 | 532 19 95-12 | PIVOT BRACKET |

NOTE: All component dimensions given in U.S. inches. 1 inch = 25.4 mm
IMPORTANT: Use only Original Equipment Manufacturer (O.E.M.) replacement parts.
 Failure to do so could be hazardous, damage your snow thrower and void your warranty.



| KEY NO. | PART NO. | DESCRIPTION |
|---------|--------------|----------------------|
| 1 | 532 43 62-53 | WHEEL 16 X 4.80 X LH |
| 2 | 532 43 62-54 | WHEEL 16 X 4.80 X RH |



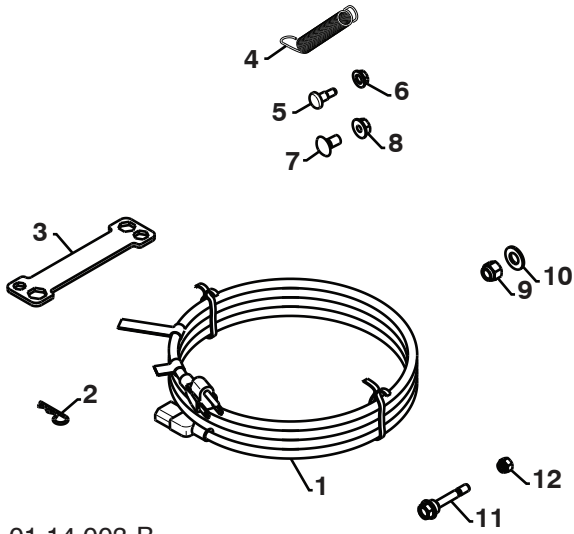
| KEY NO. | PART NO. | DESCRIPTION |
|---------|--------------|------------------------|
| 1 | 532 43 58-27 | STEER CABLE BRACKET LH |
| 2 | 532 43 58-26 | STEER CABLE BRACKET RH |

NOTE: All component dimensions given in U.S. inches. 1 inch = 25.4 mm
IMPORTANT: Use only Original Equipment Manufacturer (O.E.M.) replacement parts.
 Failure to do so could be hazardous, damage your snow thrower and void your warranty.

REPAIR PARTS

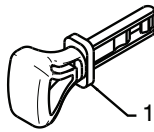
BAG OF PARTS

SNOW THROWER - MODEL NO. 1830SB (96193005700), PRODUCT NO. 961 93 00-57



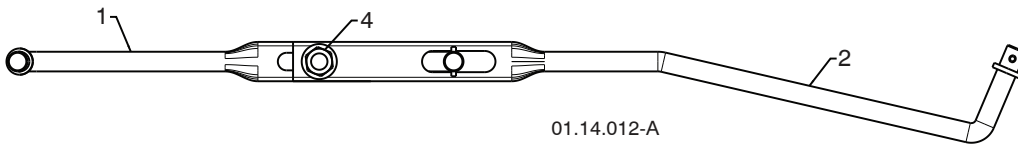
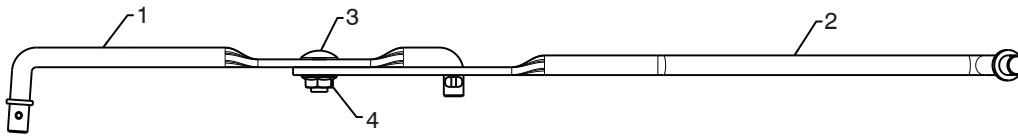
01.14.003-B

| KEY NO. | PART NO. | DESCRIPTION |
|---------|--------------|-----------------------------|
| 1 | 532 19 85-63 | POWER CORD |
| 2 | 532 16 96-75 | RETAINER PIN |
| 3 | 532 42 91-12 | WRENCH |
| 4 | 532 18 45-05 | REMOTE SPRING |
| 5 | 532 17 98-29 | SHOULDER BOLT 1/4-20 |
| 6 | 532 19 17-30 | LOCKNUT 1/4-20 |
| 7 | 872 25 05-05 | CARRIAGE BOLT 5/16-18 X 5/8 |
| 8 | 532 75 11-53 | LOCKNUT 5/16-18 |
| 9 | 873 80 06-00 | LOCKNUT 3/8-16 |
| 10 | 819 13 13-16 | WASHER 3/8 |
| 11 | 532 19 20-90 | SHEAR BOLT 1/4-20 X 1-13/16 |
| 12 | 873 80 04-00 | LOCKNUT 1/4-20 |



01.14.009-A

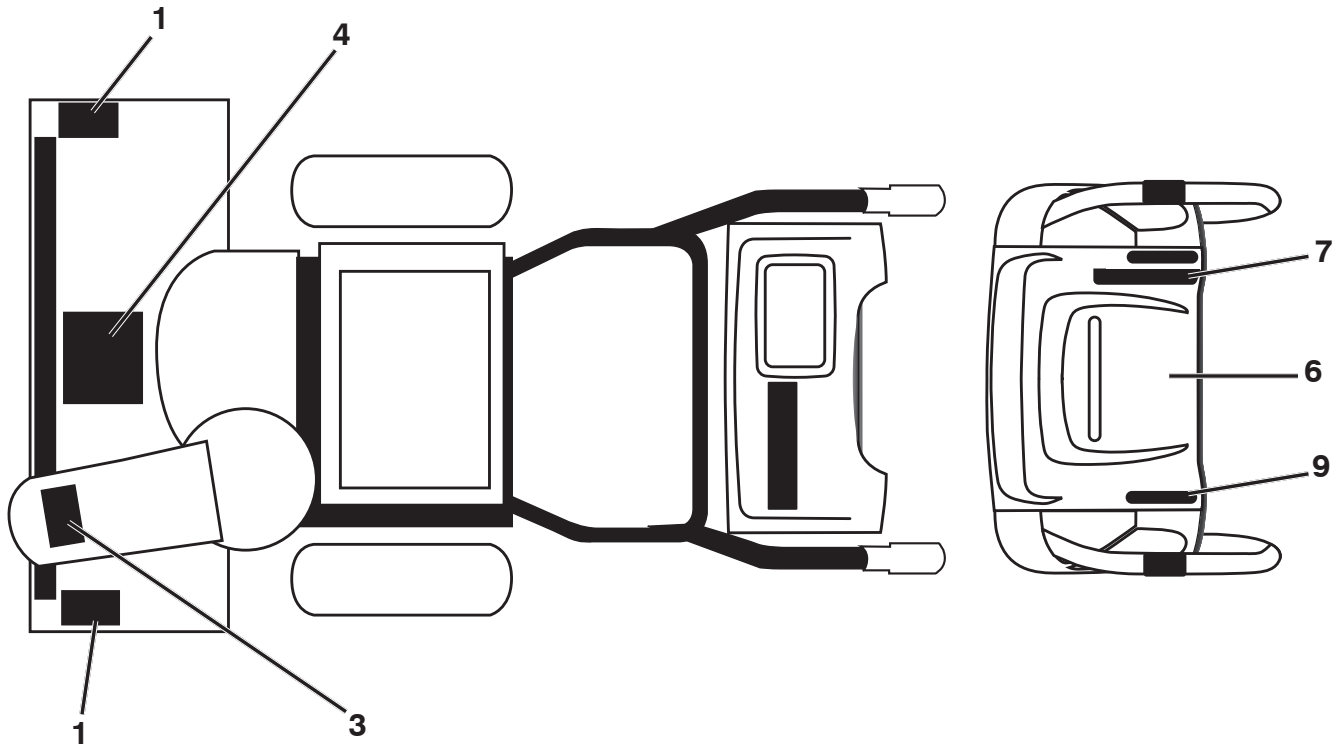
| KEY NO. | PART NO. | DESCRIPTION |
|---------|--------------|---------------------|
| 1 | 532 42 26-63 | SAFETY IGNITION KEY |



01.14.012-A

| KEY NO. | PART NO. | DESCRIPTION |
|---------|--------------|-----------------------------|
| 1 | 532 18 04-45 | SHIFTER ROD TOP |
| 2 | 532 18 77-16 | SHIFTER ROD BOTTOM |
| 3 | 872 27 05-05 | CARRIAGE BOLT 5/16-18 X .75 |
| 4 | 532 15 53-77 | NUT 5/16-18 |

NOTE: All component dimensions given in U.S. inches. 1 inch = 25.4 mm
IMPORTANT: Use only Original Equipment Manufacturer (O.E.M.) replacement parts. Failure to do so could be hazardous, damage your snow thrower and void your warranty.



| KEY PART NO. | PART NO. | DESCRIPTION |
|--------------|--------------|---------------------------------|
| 1 | 532 18 10-37 | DECAL, DANGER |
| 3 | 532 18 10-35 | DECAL, DANGER, DEFLECTOR |
| 4 | 532 18 10-42 | DECAL, AUGER READ OWN MAN E/F |
| 6 | 532 42 95-73 | DECAL, CONS CENTER INST E/F GY |
| 7 | 532 42 95-71 | DECAL, CONS RT SPD/LEV/PWRST GY |
| 9 | 532 42 95-69 | DECAL, CONS LT SPD/LEV/PWRST GY |
| -- | 532 17 45-72 | DECAL WARN. SPARK CANADA |
| -- | 532 43 56-27 | OPERATOR'S MANUAL, ENGLISH |
| -- | 532 43 56-28 | OPERATOR'S MANUAL, FRENCH |

NOTE: All component dimensions given in U.S. inches. 1 inch = 25.4 mm
IMPORTANT: Use only Original Equipment Manufacturer (O.E.M.) replacement parts.
 Failure to do so could be hazardous, damage your snow thrower and void your warranty.