

Router - F 012 182 700 - 1827

| Item | Part Number | Description | Illustration | Price | Quantity | Price Group |
|------|---------------|--------------------------|--------------|-------|----------|-------------|
| 1 | 1 619 X04 235 | Motor Housing | 1 | -,- | 1 | 24 |
| 2 | 1 619 P01 569 | Field 120V | 1 | -,- | 1 | 31 |
| 3 | 1 619 P01 566 | Armature 120V | 1 | -,- | 1 | 33 |
| 4 | 1 619 X04 229 | Switch Unit | 1 | -,- | 1 | 19 |
| 5 | 1 619 X04 241 | Power supply cord | 1 | -,- | 1 | 22 |
| 8 | 1 619 X04 670 | Nameplate | 1 | -,- | 1 | 13 |
| 9 | 1 619 X04 661 | Manufacturer's nameplate | 1 | -,- | 1 | 13 |
| 13 | 2 610 017 875 | Ball Bearing | 1 | -,- | 1 | 20 |
| 14 | 1 619 P01 511 | Ball Bearing | 1 | -,- | 1 | 19 |
| 22 | 1 619 X04 666 | Electronic Module | 1 | -,- | 1 | 28 |
| 23 | 1 619 X05 187 | Electronic Module | 1 | -,- | 1 | 15 |
| 24 | 2 610 916 621 | Tolerance Ring | 1 | -,- | 1 | 12 |
| 25 | 1 619 X00 658 | Screw | 1 | -,- | 2 | 11 |
| 26 | 1 619 X04 240 | Insulator | 1 | -,- | 1 | 11 |
| 27 | 1 619 X02 496 | Fastener | 1 | -,- | 3 | 11 |
| 28 | 1 619 X04 236 | Lock Plate | 1 | -,- | 1 | 13 |
| 29 | 2 610 932 299 | Torsion Spring | 1 | -,- | 1 | 11 |
| 30 | 2 610 315 386 | Screw ST3,9x19 | 1 | -,- | 8 | 11 |
| 31 | 1 619 X04 234 | Housing Cover | 1 | -,- | 1 | 17 |
| 32 | 1 619 X04 230 | Trigger | 1 | -,- | 1 | 11 |
| 33 | 1 619 X04 231 | Switch Cover | 1 | -,- | 1 | 11 |
| 34 | 1 619 X04 198 | Cover | 1 | -,- | 1 | 11 |
| 35 | 1 619 X04 237 | Bearing Housing | 1 | -,- | 1 | 16 |
| 36 | 1 619 X04 232 | Screw | 1 | -,- | 1 | 11 |
| 37 | 1 619 X02 811 | Collet 1/2" | 1 | -,- | 1 | 24 |
| 38 | 2 610 990 022 | Screw | 1 | -,- | 4 | 11 |
| 39 | 1 619 X05 276 | Plain Washer | 1 | -,- | 2 | 11 |
| 102 | 1 619 X05 725 | Knob | 2 | -,- | 1 | 12 |
| 104 | 1 619 X04 253 | Screw | 2 | -,- | 2 | 11 |
| 105 | 1 619 X04 252 | Retaining snap ring | 2 | -,- | 1 | 11 |
| 106 | 1 619 X01 014 | Spring Washer | 2 | -,- | 1 | 10 |
| 107 | 1 619 X04 259 | Washer | 2 | -,- | 2 | 11 |
| 108 | 1 619 X04 249 | Shaft | 2 | -,- | 1 | 14 |

| Item | Part Number | Description | Illustration | Price | Quantity | Price Group |
|------|---------------|--|--------------|-------|----------|-------------|
| 109 | 1 619 X04 710 | Adjusting Part | 2 | -,- | 1 | 14 |
| 110 | 1 619 X04 711 | Cover | 2 | -,- | 1 | 11 |
| 111 | 1 619 X04 271 | Cover | 2 | -,- | 1 | 11 |
| 113 | 1 619 X04 197 | Screw | 2 | -,- | 2 | 11 |
| 114 | 1 619 X04 199 | Handle | 2 | -,- | 2 | 16 |
| 116 | 1 619 X04 250 | Cover | 2 | -,- | 1 | 11 |
| 117 | 1 619 X04 718 | Compression Spring | 2 | -,- | 1 | 11 |
| 118 | 1 619 X05 118 | Lock Bolt | 2 | -,- | 1 | 15 |
| 119 | 1 619 X04 251 | Locking Lever | 2 | -,- | 1 | 12 |
| 120 | 1 619 X04 721 | Washer | 2 | -,- | 1 | 11 |
| 122 | 1 619 X04 265 | Clamping Lever | 2 | -,- | 1 | 16 |
| 123 | 1 619 X04 266 | Straight Pin | 2 | -,- | 1 | 12 |
| 124 | 1 619 X04 268 | Bolt | 2 | -,- | 1 | 11 |
| 126 | 1 619 X04 269 | Hex Nut | 2 | -,- | 1 | 11 |
| 127 | 1 619 X04 262 | Rod | 2 | -,- | 1 | 14 |
| 128 | 1 619 X04 263 | Indicator | 2 | -,- | 1 | 11 |
| 129 | 1 619 X04 264 | Knob | 2 | -,- | 1 | 12 |
| 130 | 1 619 X04 261 | Label | 2 | -,- | 1 | 11 |
| 202 | 1 619 X04 256 | Compression Spring | 2 | -,- | 1 | 12 |
| 203 | 2 610 921 832 | Bellows | 2 | -,- | 2 | 14 |
| 204 | 2 916 650 003 | Spring retaining ring DIN 471-12x1-FSt | 2 | -,- | 1 | 10 |
| 206 | 2 610 916 624 | Compression Spring | 2 | -,- | 1 | 11 |
| 207 | 2 600 590 006 | Ratchet Cap | 2 | -,- | 1 | 11 |
| 208 | 1 619 X04 723 | Washer | 2 | -,- | 1 | 11 |
| 209 | 1 619 X04 724 | Screw | 2 | -,- | 1 | 11 |
| 210 | 1 619 X04 274 | Stop | 2 | -,- | 1 | 16 |
| 211 | 1 619 X04 273 | Chip Deflector | 2 | -,- | 1 | 12 |
| 213 | 1 619 X05 012 | Screw | 2 | -,- | 5 | 11 |
| 214 | 1 619 X04 278 | Base Plate | 2 | -,- | 1 | 16 |
| 216 | 1 619 X05 276 | Plain Washer | 2 | -,- | 2 | 11 |
| 220 | 1 619 X05 375 | Warning Label | 2 | -,- | 1 | 13 |
| 651 | 1 619 X01 769 | Adjusting Wrench | 1 | -,- | 1 | 16 |
| 652 | 1 619 X03 843 | Adapter | 1 | -,- | 1 | 17 |
| 810 | 1 619 X05 563 | Carbon-Brush Set | 1 | -,- | 1 | 18 |
| 811 | 1 619 X05 564 | Service kit | 2 | -,- | 1 | 35 |
| 812 | 1 619 X05 565 | Service kit | 2 | -,- | 1 | 31 |

Illustration - Type E

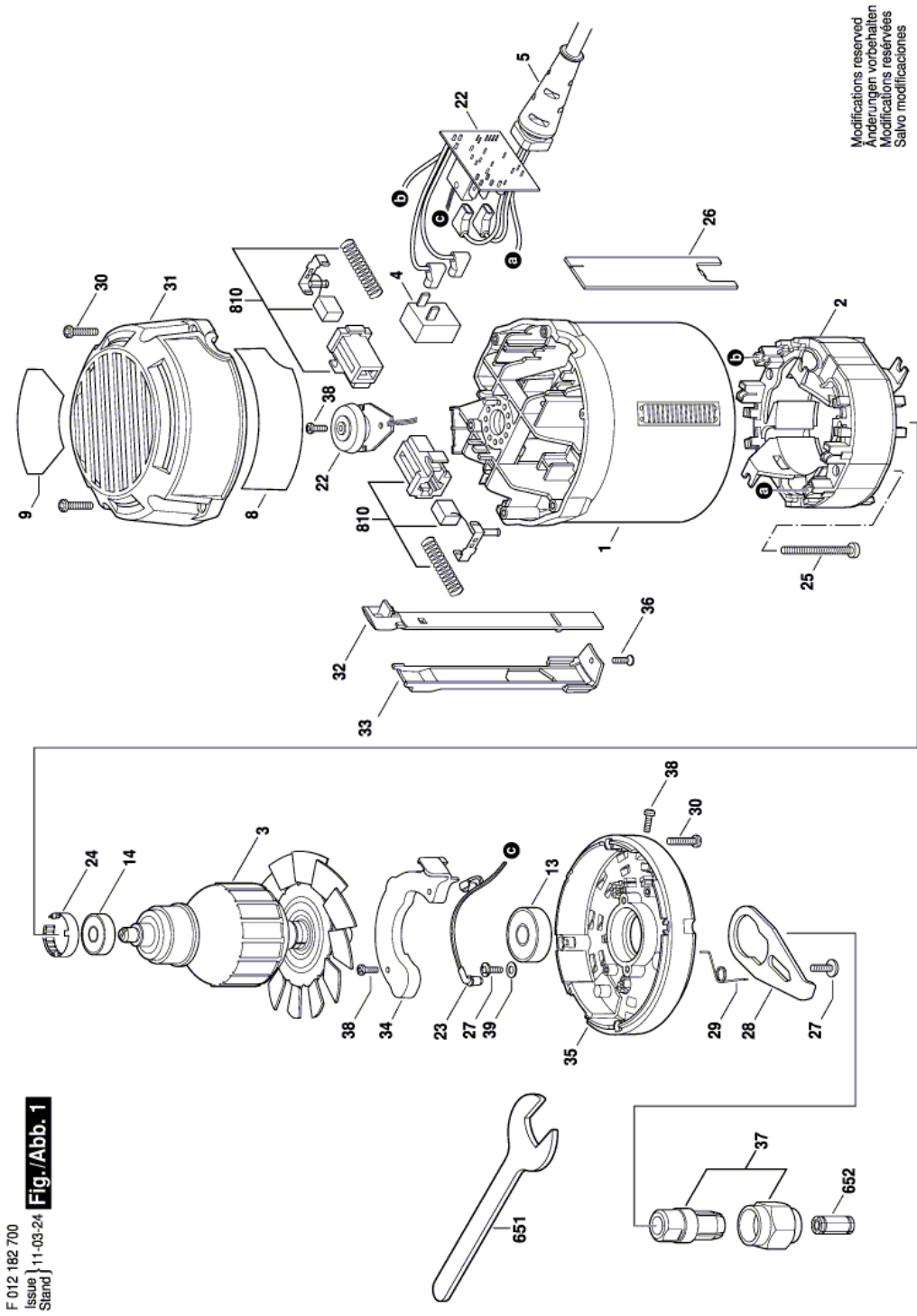
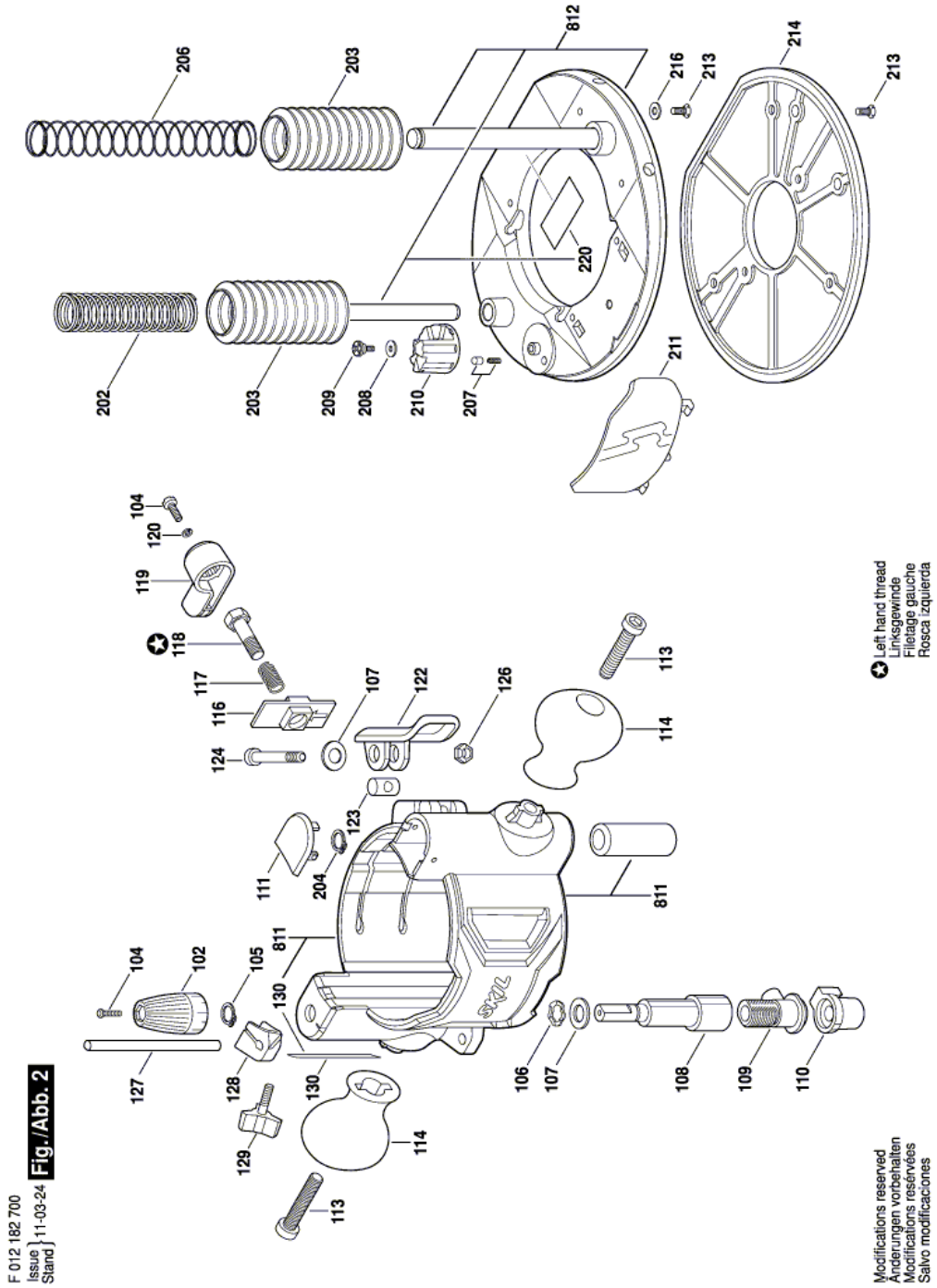


Illustration - Type E



Information subject to change without further notice.