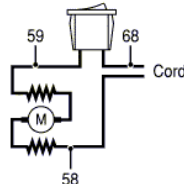
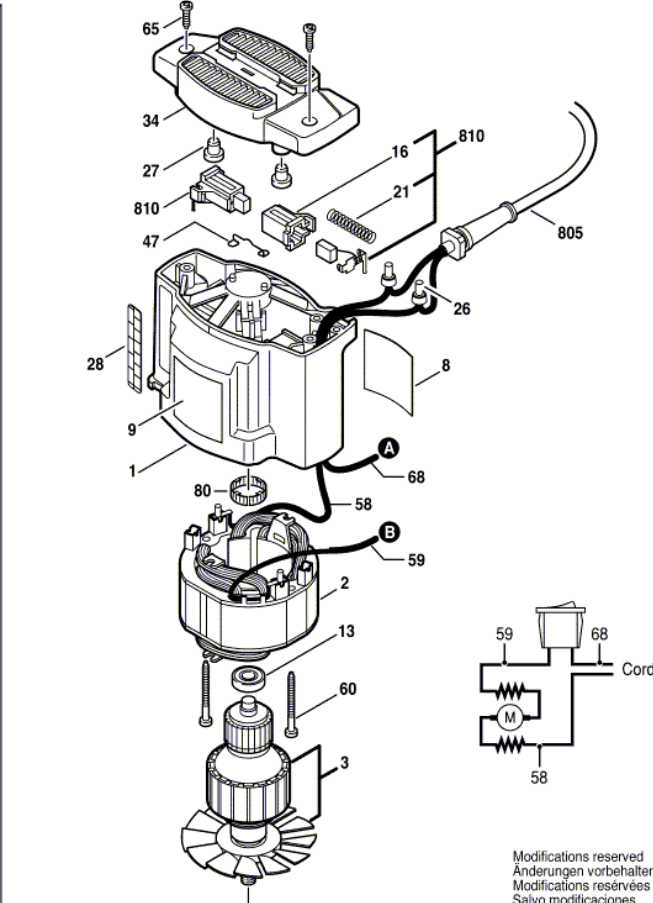
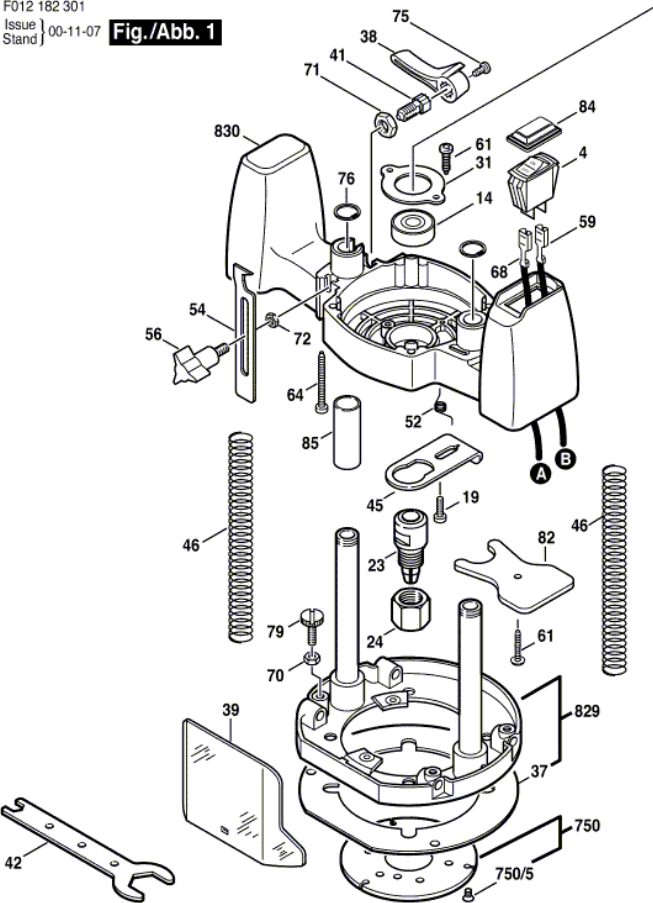


F012 182 301
 Issue 100-11-07
 Stand J

Fig./Abb. 1



Modifications reserved
 Änderungen vorbehalten
 Modifications réservées
 Salvo modificaciones

Pos.	Part Number	Description	Pos.	Part Number	Description
1	2 610 992 421	Housing			
2	2 610 353 383	Pole Shoe			
3	2 610 353 355	Armature			
4	2 610 353 358	Toggle Switch			
8	2 610 998 374	Label			
9	2 610 909 019	Label			
13	1 619 P01 511	Deep-Groove Ball Bearing			
14	2 610 042 699	Bearing			
16	2 610 341 257	Brush Holder			
19	2 610 318 720	Screw			
21	2 610 353 407	Spring			
23	2 610 993 645	Collet			
24	2 610 993 644	Nut			
26	2 610 016 167	Connector			
27	2 610 350 655	Rubber Buffer			
28	2 610 913 861	Sticker			
31	2 610 353 378	Support			
34	2 610 992 422	Cover			
37	2 610 353 370	Base Plate			
38	2 610 353 434	Lever			
39	2 610 353 395	Plate			
41	2 610 353 433	Bolt			
42	2 610 993 579	Adjusting Wrench			
45	2 610 353 425	Plate			
46	2 610 353 376	Spring			
47	2 610 353 380	Spring			
52	2 610 353 379	Spring			
54	2 610 353 371	Plate			
56	2 610 353 373	Knob			
58	2 610 038 796	Nameplate			
59	2 610 039 553	Wire			
60	2 610 347 103	Headless Screw			
61	2 610 315 386	Screw			
64	2 610 350 943	Screw			
65	1 619 X00 504	Screw			
68	2 610 039 546	Nameplate			
70	2 610 001 309	Nut			
71	2 610 353 386	Nut			
72	2 610 011 489	Nut			
75	2 610 350 698	Screw			
76	2 610 067 431	Ring			
79	2 610 353 372	Screw			
80	2 610 911 048	Tolerance Ring			
82	2 610 353 399	Cover			
84	2 610 353 411	Bell			
85	2 610 353 412	Bearing			
750	2 610 091 803	Insert			
750/5	2 610 309 249	Screw			
805	2 610 357 066	Power supply cord			
810	2 610 992 423	Carbon-Brush Set			
829	2 610 354 385	Plate			
830	2 610 354 662	Bearing Housing			