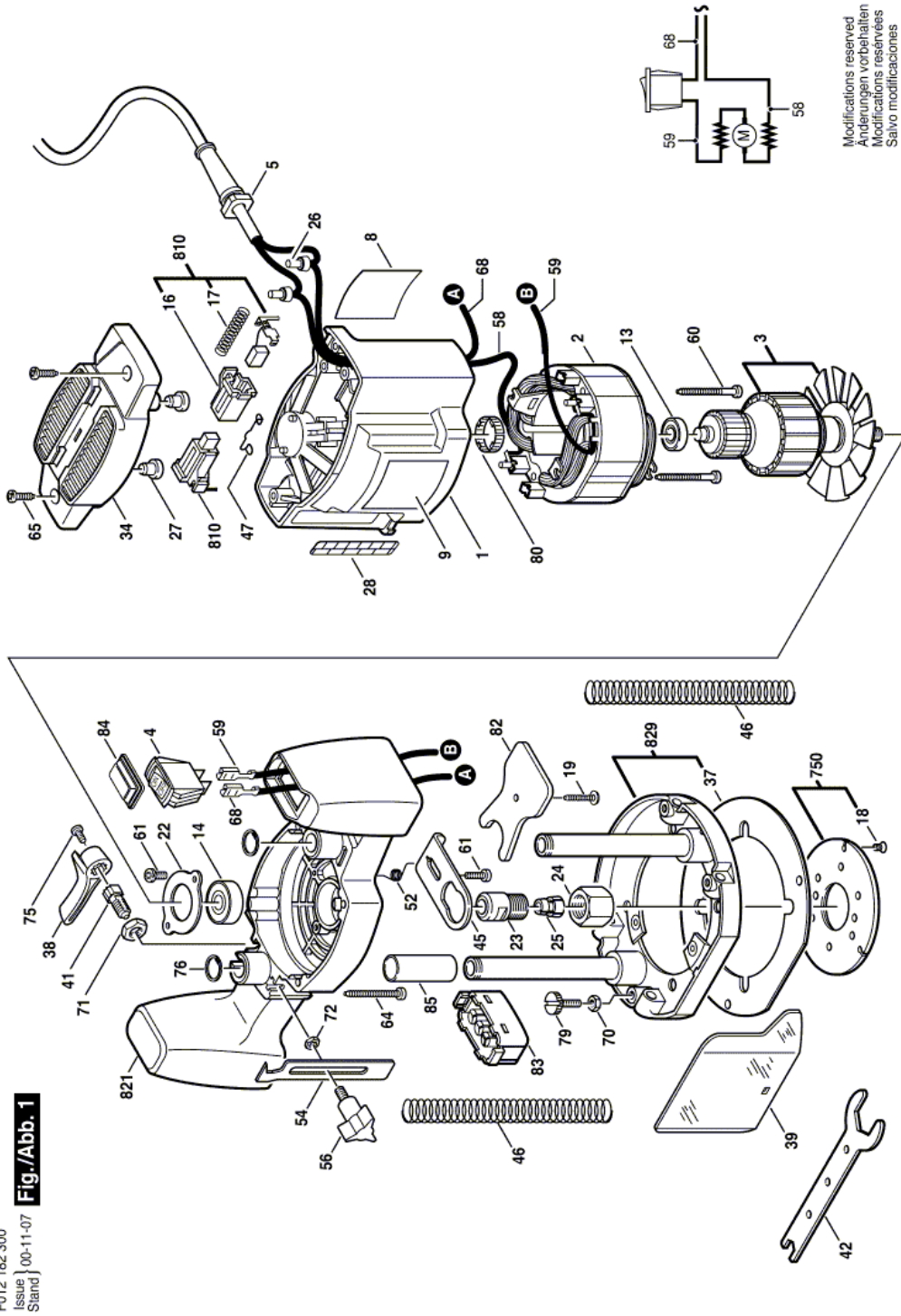


Router - F 012 182 300 - 1823

Item	Part Number	Description	Illustration	Price	Quantity	Price Group
1	2 610 992 421	Housing	1	-,-	1	27
2	2 610 353 383	Pole Shoe 120V	1	-,-	1	-
3	2 610 353 355	Armature 120V	1	-,-	1	-
4	2 610 353 358	Toggle Switch	1	-,-	1	-
5	2 610 909 570	Power supply cord	1	-,-	1	-
8	2 610 909 952	Nameplate	1	-,-	1	-
9	2 610 909 951	Label	1	-,-	1	-
13	1 619 P01 511	Ball Bearing	1	-,-	1	19
14	2 610 042 699	Deep-Groove Ball Bearing	1	-,-	1	22
16	2 610 341 257	Brush Holder	1	-,-	2	12
17	2 610 353 407	Spring	1	-,-	2	11
18	2 610 309 249	Screw	1	-,-	3	11
19	2 610 318 720	Screw	1	-,-	1	11
22	2 610 353 378	Support	1	-,-	1	13
23	2 610 353 424	Chuck	1	-,-	1	28
24	2 610 353 374	Nut	1	-,-	1	19
25	2 610 353 377	Collet	1	-,-	1	26
26	2 610 016 167	Connector	1	-,-	2	-
27	2 610 350 655	Rubber Buffer	1	-,-	2	11
28	2 610 913 861	Sticker	1	-,-	1	-
34	2 610 992 422	Cover	1	-,-	1	20
37	2 610 353 370	Base Plate	1	-,-	1	17
38	2 610 353 434	Lever BLACK	1	-,-	1	11
39	2 610 353 395	Plate	1	-,-	1	15
41	2 610 353 433	Bolt	1	-,-	1	11
42	2 610 353 381	Key	1	-,-	1	17
45	2 610 353 425	Plate	1	-,-	1	15
46	2 610 353 376	Spring	1	-,-	2	11
47	2 610 353 380	Spring	1	-,-	1	11
52	2 610 353 379	Spring	1	-,-	1	11
54	2 610 353 371	Plate	1	-,-	1	15
56	2 610 353 373	Knob	1	-,-	1	14
58	2 610 038 796	Nameplate	1	-,-	1	-

Item	Part Number	Description	Illustration	Price	Quantity	Price Group
59	2 610 039 553	Wire	1	-,-	1	13
60	2 610 347 103	Screw	1	-,-	2	12
61	2 610 315 386	Screw ST3,9x19	1	-,-	3	11
64	2 610 350 943	Screw	1	-,-	4	11
65	1 619 X00 504	Screw	1	-,-	2	10
68	2 610 039 546	Nameplate	1	-,-	1	-
70	2 610 001 309	Nut	1	-,-	1	11
71	2 610 353 386	Nut	1	-,-	1	11
72	2 610 011 489	Nut	1	-,-	1	11
75	2 610 350 698	Screw	1	-,-	1	10
76	2 610 067 431	Ring	1	-,-	2	11
79	2 610 353 372	Screw	1	-,-	1	11
80	2 610 911 048	Ring 22 MM THICK	1	-,-	1	13
82	2 610 353 399	Cover	1	-,-	1	13
83	2 610 353 392	Support	1	-,-	1	14
84	2 610 353 411	Bell	1	-,-	1	13
85	2 610 353 412	Bearing	1	-,-	1	13
750	2 610 091 803	Insert	1	-,-	1	22
810	2 610 992 423	Carbon-Brush Set	1	-,-	1	23
821	2 610 354 662	Bearing Housing	1	-,-	1	28
829	2 610 354 385	Plate	1	-,-	1	37

Illustration - Type E



Modifications reserved
 Änderungen vorbehalten
 Modifications réservées
 Salvo modificaciones

F012 182 300
 Issue 00-11-07
 Stand
Fig./Abb. 1

Information subject to change without further notice.