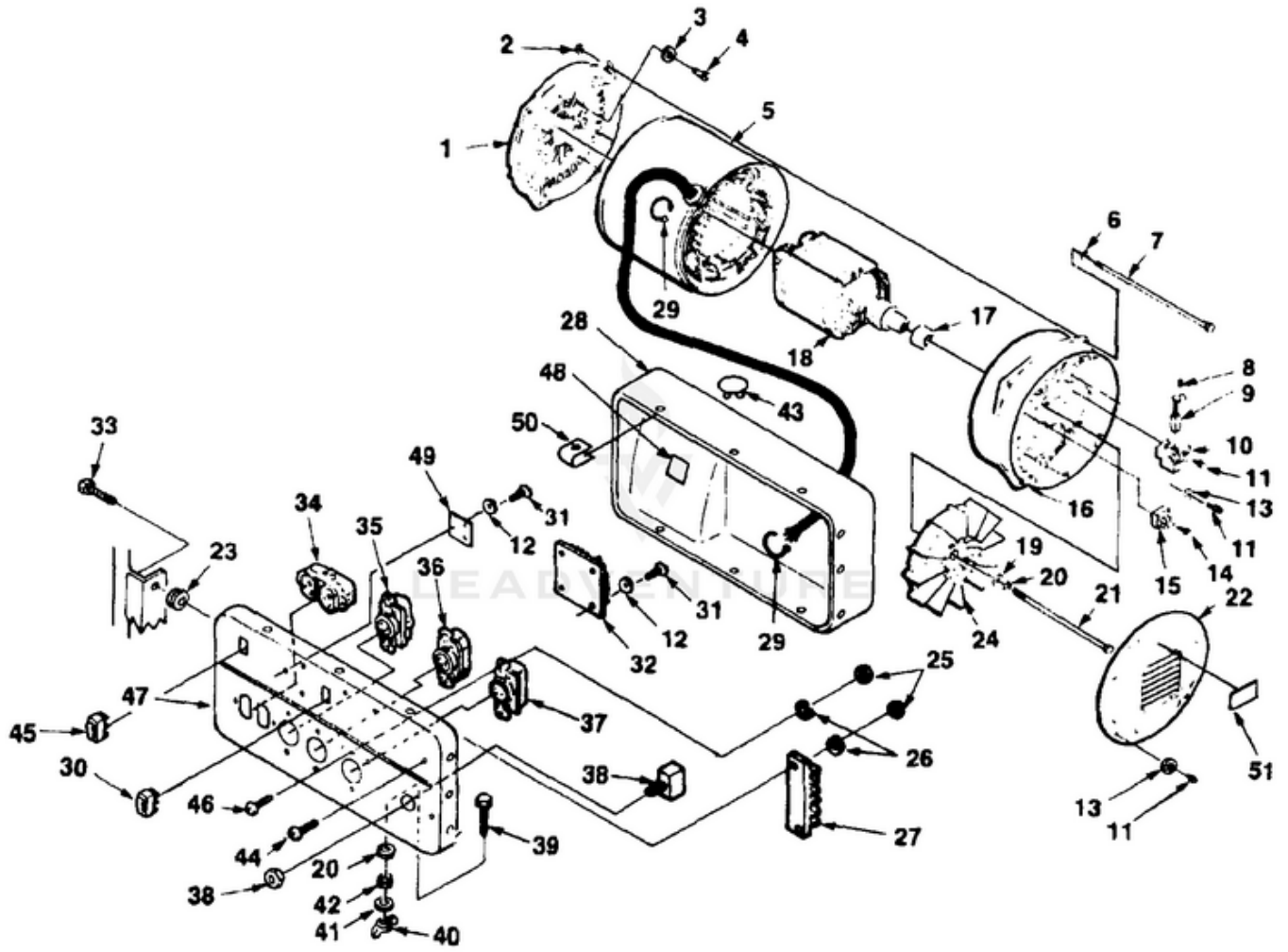


180HIE63 Generator UT-03764 - Control Panel & Generator End

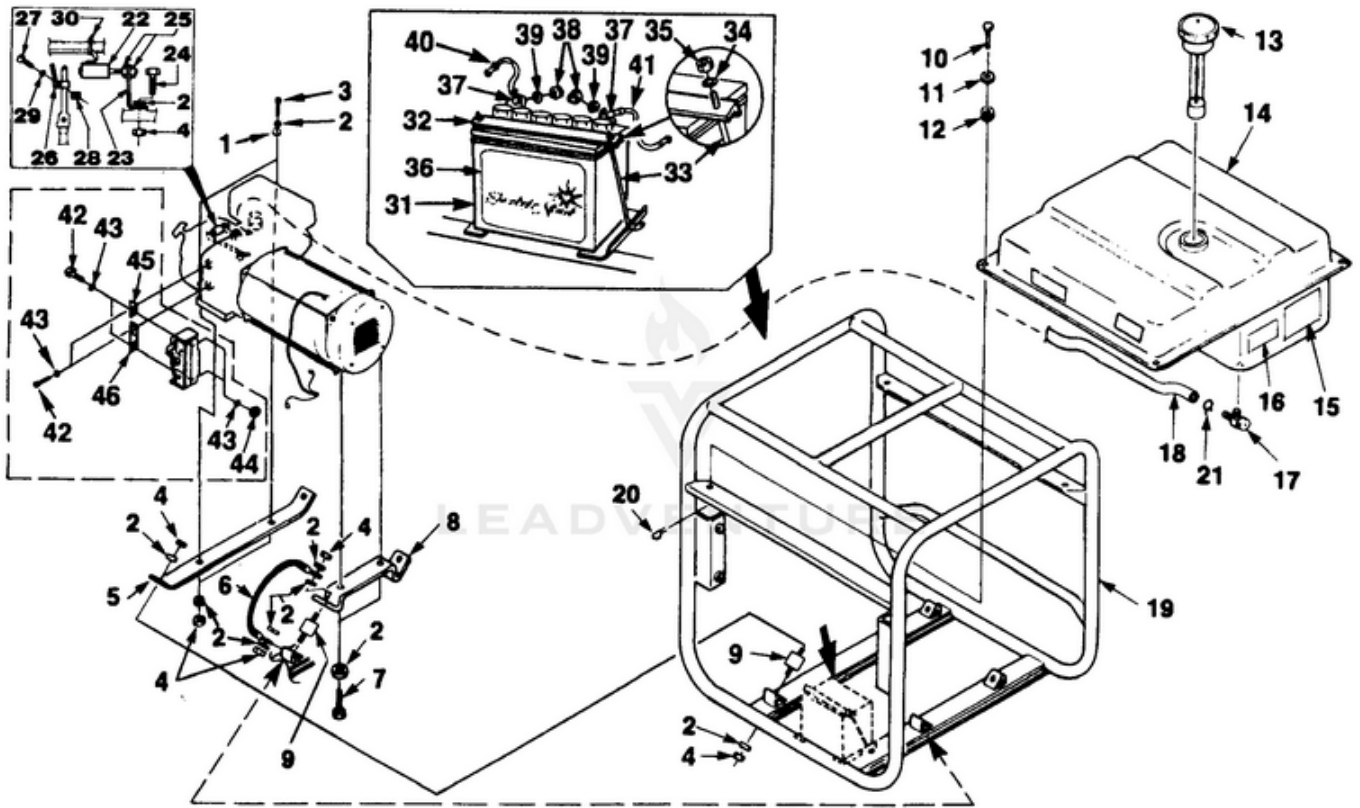


Rendered by LeadVenture, Inc.

Ref #	Part #	Description	Qty	Context Note
1	5375221	END BELL	1	
2	81053	NUT-Hex (1/4-20)	6	
3	83117	WASHER-Lock	4	
4	80187	SCREW-Hex Hd. (3/8-16 X 7/8")	4	
5	A49331S	STATOR SHELL	1	
6	83070	WASHER-Lock/Int. (1/4")	8	
7	4885304	BOLT-Stator	4	
8	80260	SCREW-Machine Pan Hd. (8-32 X 3/8")	2	
9	53762	BRUSH	2	
10	53760	BRUSH HOLDER	1	
11	82474	SCREW-Thread Rolling (8-32 X 1/2")	7	
12	84025	WASHER-Flat (#8)	7	
13	83022	WASHER-Lock (#8)	5	
14	82205	SCREW-Hex Tap (8-32 X 3/4")	1	
15	53818	RECTIFIER	1	
16	537592	BRUSH HEAD	1	
17	53819	BEARING	1	
18	A49094S	ROTOR	1	
19	84958	WASHER-Flat (5/16)	1	
20	83002	WASHER-Lock (5/16)	2	
21	4885209	BOLT-Rotor	1	
22	513941	BRUSH HEAD COVER	1	
23	49351	GROMMET	4	
24	A53769	FAN	1	
25	81009	NUT-Hex (8-32)	10	
26	83060	WASHER-Lock (#8)	10	
27		BLOCK-Terminal		Not Used On This Model.
28	A49271	PANEL-Cover	1	
29	46840	CABLE TIE	A/R	
30	49569	SWITCH (DPDT)	1	
31	80577	SCREW-Pan Hd. (#8-32 X 1/2")	7	
32	A48999D	VOLTAGE REGULATOR	1	
33	49748	SCREW-Shoulder	4	
34	04058	RECEPTACLE, GFCI (Nema 5-15R)	1	
35	48978	RECEPTACLE-Locking (Nema L5-20R)	1	
36	42601	RECEPTACLE-Locking (Nema L5-30R)	1	
37	46508	RECEPTACLE-Locking (Nema L14-20R)	1	
38	02201	CIRCUIT BREAKER-2.5 Amp	1	
39	80085	SCREW-Hex Hd. (5/16-18 X 1)	1	
40	81015	NUT-Wing (5/16-18)	1	
41	83081	WASHER-Lock (5/16)	1	
42	81018	NUT-Hex (5/16-18)	1	
43	49368	CLAMP-Cable	1	
44	80582	SCREW-Pan Hd. (8/32 X 5/8")	2	
45	49299	SWITCH-Rocker	1	

Ref #	Part #	Description	Qty	Context Note
46	80577	SCREW-Machine Pan (8-32 X 3/8")	23	
47	A02208	CONTROL PANEL	1	
48	02191	DECAL-Schematic	1	
49	A49654	IDLE CONTROL	1	
50	81227	NUT-Speed	8	
51	49613	DECAL-Warning	1	
	49812	CIRCUIT BREAKER (15 AMP)	1	Canadian Units Only
	49813	CIRCUIT BREAKER (20 AMP)	2	Canadian Units Only
	49814	CIRCUIT BREAKER (30 AMP)	1	Canadian Units Only

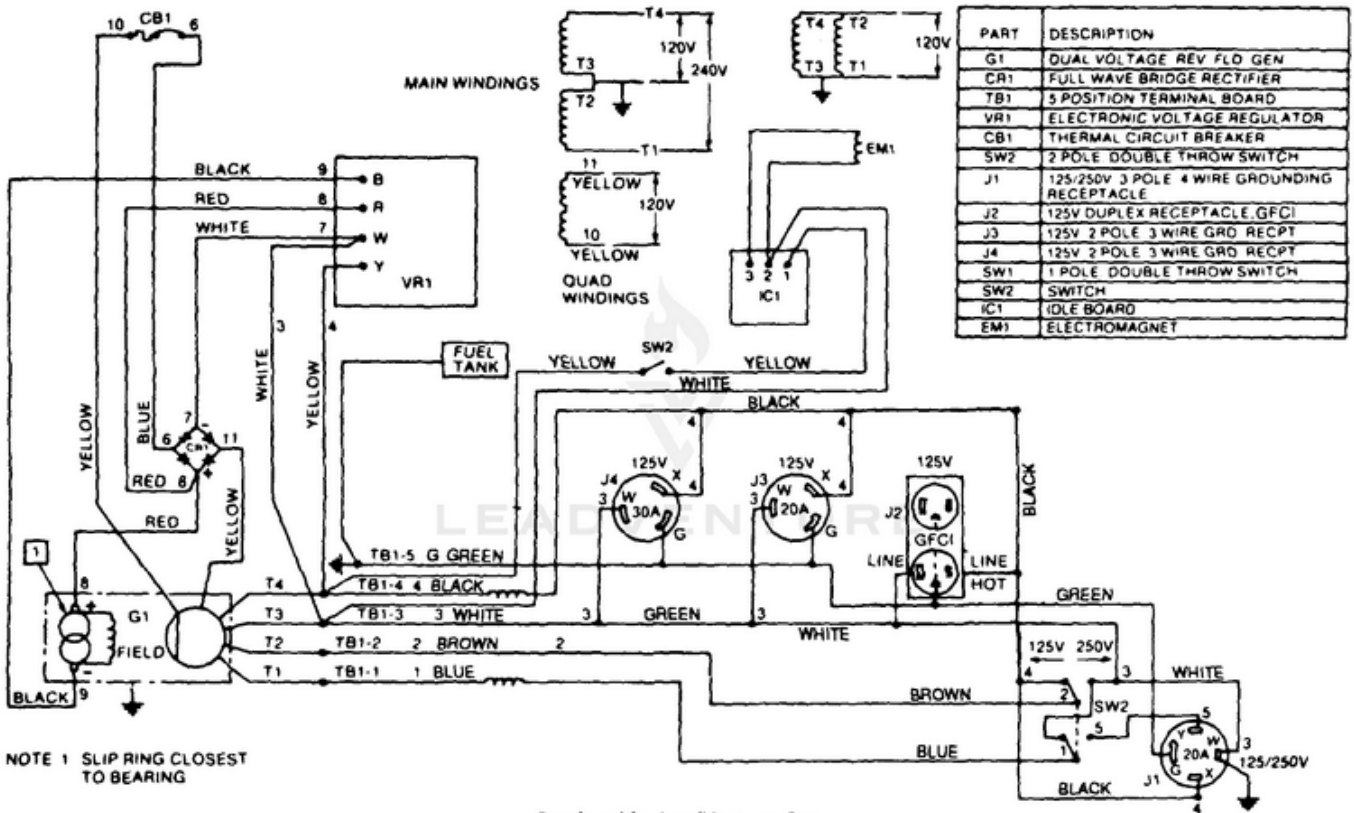
180HIE63 Generator UT-03764 - Tank Handles, Idle Control



Rendered by LeadVenture, Inc.

Ref #	Part #	Description	Qty	Context Note
1	84046	WASHER-Flat (5/16)	3	
2	83081	WASHER-Lock/Int.	16	
3	80197	SCREW-Cap Hex Hd. (5/16-18 X 2")	2	
4	81162	NUT-Hex (5/16-18)	10	
5	49265	SUPPORT-Engine	1	
6	A49399	GROUND-Strap	1	
7	82206	SCREW-Thread Form. (5/16-18 X 1")	2	
8	48944	SUPPORT-Generator	1	
9	49367	ISOLATOR-Vibration	4	
10	49329	PIN-Clevis	4	
11	84066	WASHER-Flat	4	
12	49351	GROMMET-isolator	4	
13	49179	CAP-Fuel	1	
14	021101	TANK-Fuel	1	
15	49598	DECAL-Caution	1	
16	49340A	DECAL-Fuel Valve	1	
17	02192	VALVE-Fuel	1	
18	0216001	FUEL-Line	1	
19	A015671	ROLL CAGE	1	
20	49412	PIN-Cotter Hair	4	
21	02181	HOSE-Clip	2	
22	A02233	ELECTROMAGNET	1	
23	02173	BRACKET-Magnet, 11HP	1	
24	80085	SCREW-Cap Hex Hd. (5/16-18 X 1)	1	
25	810652	NUT-Hex	2	
26	02172	PADDLE-8HP & 11HP	1	
27	80577	SCREW-Machine Pan Hd. (8-32 X 3/8")	1	
28	81227	NUT-Speed	1	
29	83022	WASHER-Lock/Int.	1	
30	JA994274	TIE-Cable	3	
31	03367	BATTERY-12 Volt	1	
32	496991	STRAP-Battery	1	
33	49700	BOLT-Battery	2	
34	83046	WASHER-Lock	2	
35	81092	NUT-Hex (#10)	2	
36	49707	DECAL-Electric Start	1	
37	80049	SCREW-Cap Hex Hd. (1/4-20 X 5/8")	2	
38	81242	NUT-Hex	2	
39	83009	WASHER-Lock	2	
40	A02532	CABLE-Battery (Pos.)	1	
41	JA376124	CABLE-Battery (Neg.)	1	
42	80049	SCREW-Cap Hex Hd. (1/4-20 X 5/8")	2	
43	83070	WASHER-Lock (Int.) (1/4")	8	
44	81053	NUT-Hex (1/4-20)	6	
45	02179	BRACKET-Panel/Engine	1	
46	02178	BRACKET-Panel/Engine	1	

180HIE63 Generator UT-03764 - Wiring Diagram



Rendered by LeadVenture, Inc.