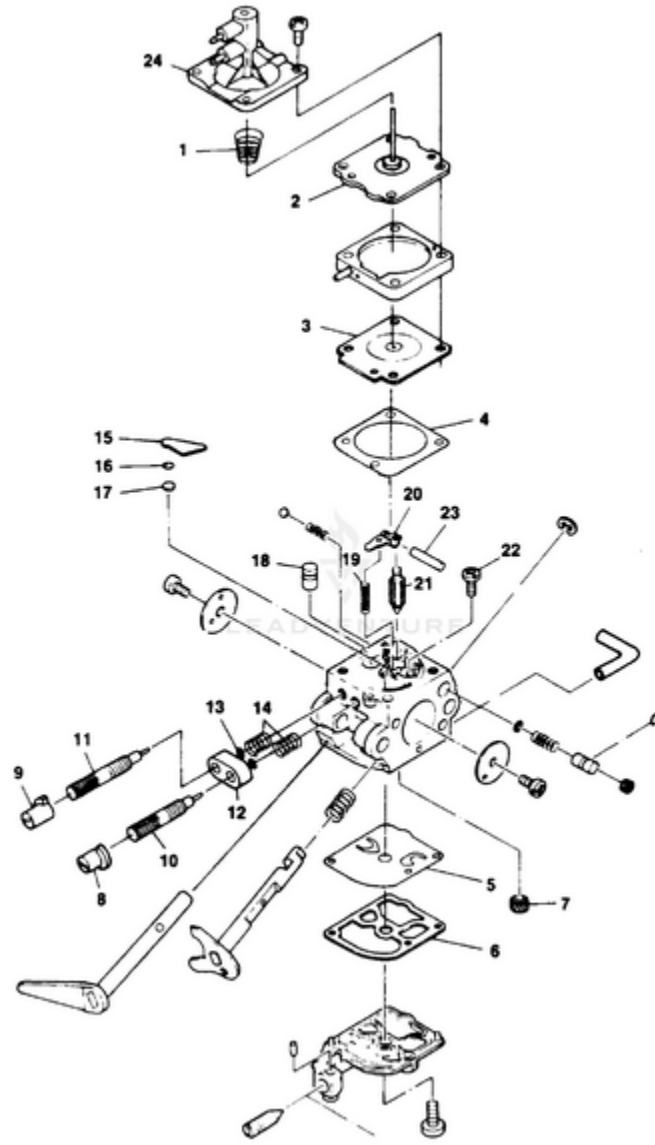


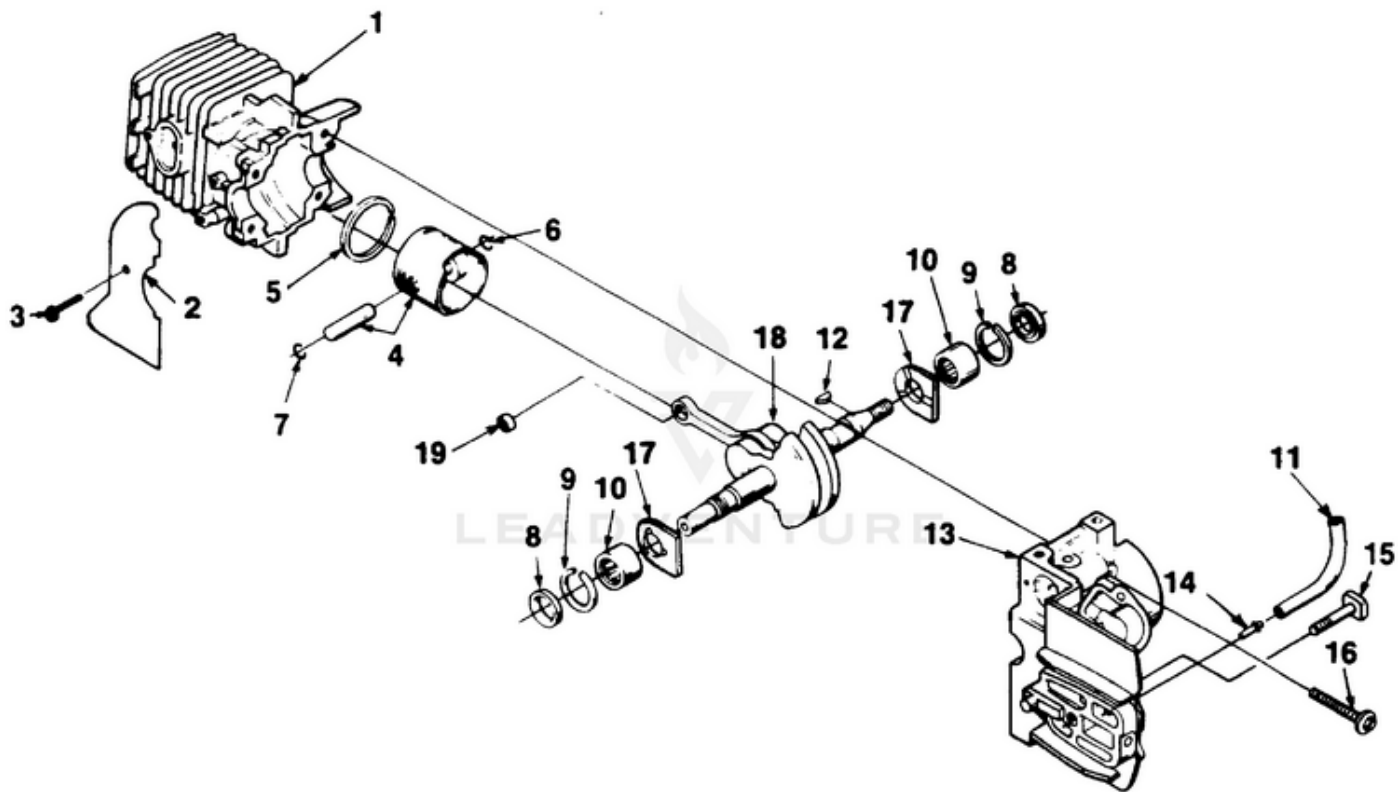
180 Chain Saw UT-10721-A 10721-A-UT 180 Chain Saw UT-10721-A 180 Chain Saw - Carburetor



Rendered by LeadVenture, Inc.

Ref #	Part #	Description	Qty
1	A03905	Repair Kit	1
	02773	Oil Pump Plunger Kit	1
2	A03905	Repair Kit	1
	02773	Oil Pump Plunger Kit	1
3	A03905	Repair Kit	1
	A03904	DIAPH&GSKT KIT(250)	1
4	A03905	Repair Kit	1
	A03904	DIAPH&GSKT KIT(250)	1
5	A03905	Repair Kit	1
	A03904	DIAPH&GSKT KIT(250)	1
6	A03905	Repair Kit	1
	A03904	DIAPH&GSKT KIT(250)	1
7	A03905	Repair Kit	1
8	A03905	Repair Kit	1
9	A03905	Repair Kit	1
10	A03905	Repair Kit	1
11	A03905	Repair Kit	1
12	A03905	Repair Kit	1
13	A03905	Repair Kit	1
14	A03905	Repair Kit	1
15	A03905	Repair Kit	1
16	A03905	Repair Kit	1
17	A03905	Repair Kit	1
18	A03905	Repair Kit	1
19	A03905	Repair Kit	1
20	A03905	Repair Kit	1
21	A03905	Repair Kit	1
22	A03905	Repair Kit	1
23	A03905	Repair Kit	1
24	02770	Oil Pump Body	1

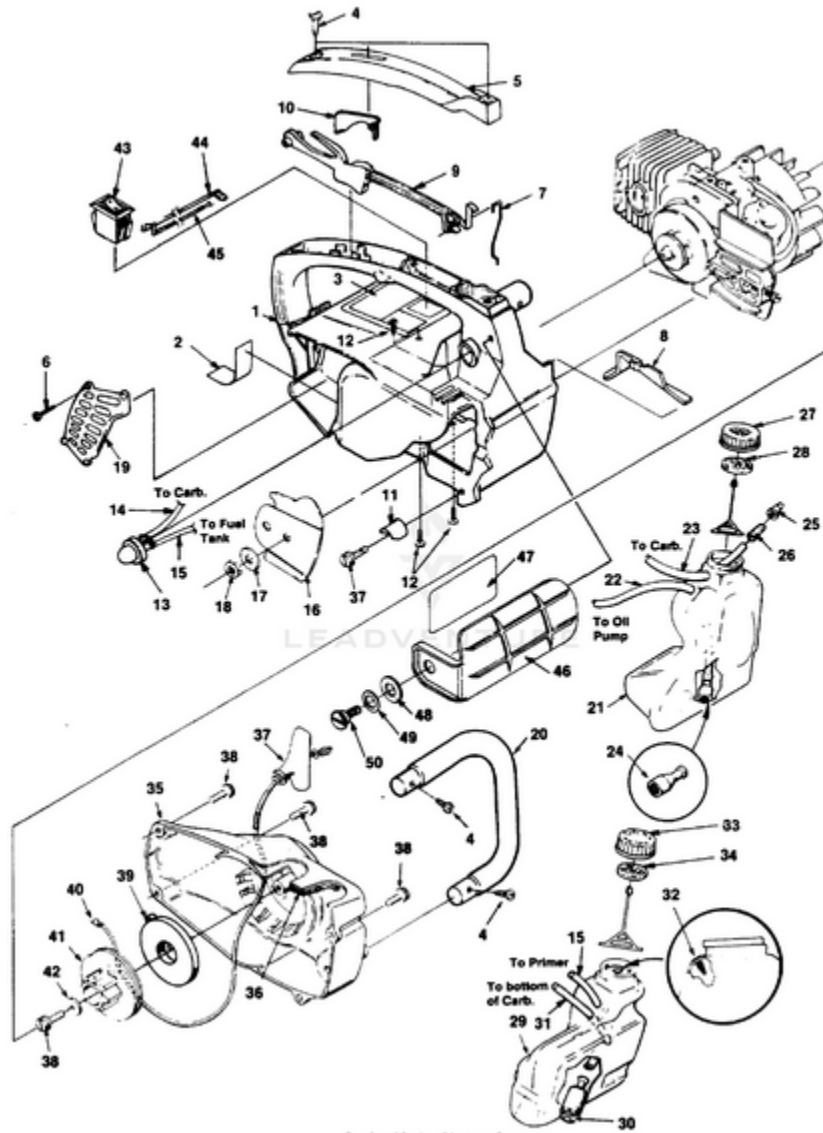
180 Chain Saw UT-10721-A 10721-A-UT 180 Chain Saw UT-10721-A 180 Chain Saw - Engine Internals



Rendered by LeadVenture, Inc.

Ref #	Part #	Description	Qty
1	024852	CYLINDER (Super 2 Only)	1
	04328	CYLINDER (XL Only)	1
2	02639	SHIELD- Sawdust	1
3	93932	SCREW- Tapping (#6-32 x 5/16")	1
4	A98967A	PISTON & PIN ASSY (Super 2 Only)	1
5	93165	RING- Piston	1
6	65261	RING- Retaining	1
7	98096	RING- Retaining	1
	A04330	PISTON & PIN ASSY (XL Only)	1
	04329	RING- Piston (See #5)	1
	65261	RING- Retaining (See #6)	1
	98096	RING- Retaining (See #7)	1
8	94638	SEAL	2
9	69407	SPACER	2
10	12530	BEARING- Needle	2
11	7031017	TUBING- Rubber (Oil Line)	2
12	69250	KEY	1
13	A03060A	CRANKCASE ASSY.	1
14	94619	FITTING	1
15	69195	BOLT- Guide bar thd. forming	1
16	82567	SCREW- Torx pan hd. (10-24 x 1 1/8")	4
17	03962	WASHER- Thrust	2
18	A97611A	CRANKSHAFT ASSY.	1
19	02035	BEARING	1
	81229	NUT- Lock (Not Shown)	1

180 Chain Saw UT-10721-A 10721-A-UT 180 Chain Saw UT-10721-A 180 Chain Saw - Housing & Handles

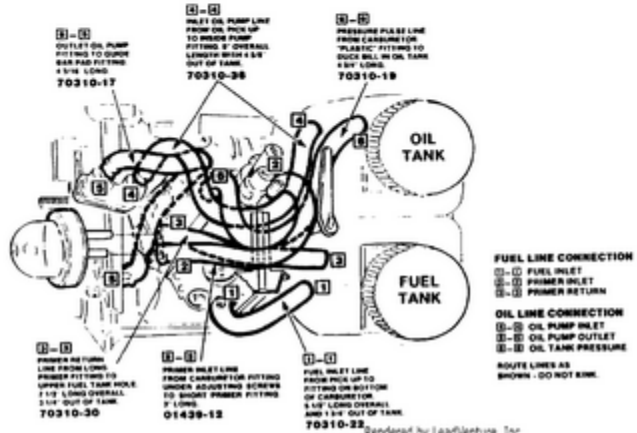
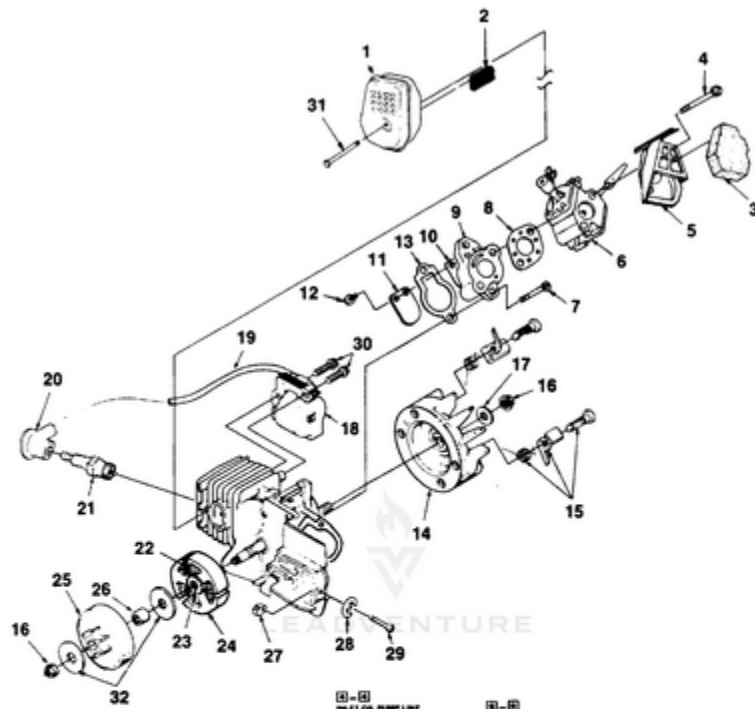


Rendered by LeadVenture, Inc.

Ref #	Part #	Description	Qty
1	A03058	HOUSING- Engine	1
2	02640	TAPE	1
3	02490	DECAL	1
	03271	DECAL (International Only)	1
4	94065	SCREW- Pan, plastite (#10-16 x 3/4")	4
5	02495	COVER- Handle	1
6	82528	SCREW- Pan plastite (#6-3/8")	4
7	02501	ROD- Throttle	1
8	02481	COVER- Air filter	1
9	02492A	TRIGGER	1
10	02493	LOCK- Trigger	1
11	95212	STOP- Chain	1
12	82538	SCREW- Torx, taptite (#10-24 x 3/4")	4
13	02487	PRIMER BULB	1
14	0143912	TUBING- Inlet (3")	1
15	7031030	TUBING- Return (7")	1
16	69360A	PLATE- Guide bar	1
17	69309A	WASHER- Flat	1
18	810652	NUT- Hex	1
19	02765	SHIELD- Muffler	1
20	02496	HANDLE BAR	1
21	A02763	TANK- Oil	1
22	7031036	TUBING- (9")	1
23	7031019	TUBING (4 3/4")	1
24	A68593	FINDER- Oil	1
25	98819	VALVE- Check	1
26	01327	FITTING- Oil line	1
27	A97230A	CAP-Oil	1
28	94494	GASKET- Cap	1
29	A02764	TANK- Fuel	1
30	49422	FILTER- Fuel	1
31	7031022	LINE- Fuel (5 1/2")	1
32	98819	VALVE- Check	1
33	A97230A	CAP- Fuel	1
34	94494	GASKET- Cap	1
35	A02562B	STARTER HOUSING ASSY.	1
36	69443	FILTER	1
37	02264	GRIP- Starter	1
38	82563	SCREW- Torx, plastite (#10 x 3/4")	6
39	A97908	SPRING & CONTAINER	1
40	9789901	ROPE- Starter	1

Ref #	Part #	Description	Qty
41	97768A	PULLEY- Starter	1
42	94062	WASHER- Retaining	1
43	02497	SWITCH	1
44	A02482	LEAD- w/Flag Term.	1
45	A02484	LEAD- w/Ring Term.	1
46	A70796C	HANDGUARD KIT	1
47	02661	DECAL- Handguard	1
48	95694	WASHER- Curve spring	1
49	96102	WASHER- Flat	1
50	95714	SCREW- Shoulder	1

180 Chain Saw UT-10721-A 10721-A-UT 180 Chain Saw UT-10721-A 180 Chain Saw - Peripheral Engine
Parts



①-② FUEL INLET
OUTLET OIL PUMP
FITTING TO GUIDE
BAR AND FITTING
4 1/8" LONG
70310-17

③-④ OIL PUMP LINE
FROM OIL PICK UP
TO PRIMER PUMP
FITTING 5" OVERALL
LENGTH WITH 4 1/8"
OUT OF TANK.
70310-28

⑤-⑥ PRESSURE PULSE LINE
FROM CARBURETOR
PLASTIC FITTING TO
DIECAST METAL OIL TANK
3 1/4" LONG.
70310-18

⑦-⑧ PRIMER RETURN
LINE FROM LOWER
PRIMER FITTING TO
UPPER FUEL TANK HOLE
1 1/2" LONG OVERALL
2 1/4" OUT OF TANK.
70310-30

⑨-⑩ PRIMER INLET LINE
FROM CARBURETOR FITTING
UNDER ADJUSTING SCREWS
TO LOWER PRIMER FITTING
7" LONG
01439-12

⑪-⑫ FUEL INLET LINE
FROM PICK UP TO
FITTING ON BOTTOM
OF CARBURETOR
5 1/2" LONG OVERALL
AND 1 1/4" OUT OF TANK.
70310-22

Rendered by LeadVenture, Inc.

Ref #	Part #	Description	Qty
1	A02459	MUFFLER	1
2	02458	SCREEN- Spark arrestor	1
3	02500	FILTER- Air (10-24 x 1 7/8")	1
4	82578	SCREW- Shoulder plastite (#10-24 x 1 3/4")	2
5	02491A	BOX- Air filter	1
6	A02486A	CARBURETOR & OIL PUMP ASSY.	1
7	825491	SCREW- Torx taptite, thd. forming (10-24 x 1")	2
8	02488	GASKET- Carburetor	1
9	A02499	HEAT DAM	1
10	95983	REED	1
11	03205	STOP- Reed	1
12	82498	SCREW- Hex Taptite (4-40 x 3/9)	2
13	02453	GASKET- Intake manifold	1
14	A95007	ROTOR & STARTER PAWL	1
15	A70285E	KIT- Starter pawl	1
16	81229	NUT- (5/16-24)	2
17	84065	WASHER- (5/16")	1
18	94711CS	MODULE	1
19	69326	LEAD- Hi-Tension	1
20	A33055	TERMINAL HIGH TENS(P TBO	1
21	96169S	SPARK PLUG (Champion DJ7Y)	1
	79252	SPARK PLUG (Champion RDJ7Y) (International Only)	1
22	98066	SPRING- Clutch	3
23	79221	SPIDER- Clutch	1
24	79222A	SHOE- Clutch	3
25	A95653C	SPROCKET & DRUM	1
26	70277	BEARING	1
27	692542	PIN- Adjusting	1
28	A00440	SCREW & E-RING KIT	1
29	93574	E-RING	1
30	82540	SCREW Machine hex sems	2
31	93460	SCREW- Machine hex sems (10-24 x 1 7/8")	1
32	95299	WASHER- Thrust	2
	A97921A	KIT - Clutch complete	1

180 Chain Saw UT-10721-A 10721-A-UT 180 Chain Saw UT-10721-A 180 Chain Saw - Tools & Accessories

**ACCESSORIES
ACCESSOIRES
ZUBEHÖR
ACCESSORIES
ACCESORIOS**

- ▶ **KIT- Repair (sprocket nose bar)..... A-70239-E**
 Jeu de réparation (Lame à nez à pignon)
 Reparatursatz (Kettenrad-Nasenspitze)
 Kit per riparazioni (denta punta lama)
 Juego de reparación (extremo barra rueda dentada)
- ▶ **FUEL LINE (10 ft. length) 70310-99**
 Conduite de carburant (3 m de long)
 Kraftstoffleitung (3 m Länge)
 Condotto d'alimentazione (3 m di lunghezza)
 Línea de combustible (10 pies de largo)
- ▶ **OIL LINE- (10 ft length)..... 70309-99**
 Conduite d'huile (3 m de long)
 Ölleitung (3 m Länge)
 Condotto dell'olio (3 m di lunghezza)
 Línea de aceite (10 pies de largo)
- ▶ **SAFE•T•TIP® (Standard) DA-70776-B**
 SAFE•T•TIP® (Standard)
 SAFE•T•TIP® (Standard)
 SAFE•T•TIP® (Standard)
 SAFE•T•TIP® (Standard)
- ▶ **GREASE- Multi Purpose (Sprocket bearing-PT guide bar)18453**
 Graisse universelle (Palier de pignon-PT - lame-guide)
 Mehrzweck-Schmiermittel (Kettenradlager-PT-Führungsschiene)
 Grasso, multiuso Cuscinetto della ruota dentata - PT - barra di guida)
 Grasa de uso general (Cojinete de la rueda dentada - PT - barra guía)
- ▶ **CARRYING CASE 94216-A**
 Boítier de transport
 Tragekasten
 Custodia
 Maletín
- ▶ **STARTING ROPE (250 ft. Reel) 98052-A**
 Cordon de lanceur (75 m bobine)
 Starterseil (76 m Spule)
 Corda d'avviamento (bobina da 76 m)
 Cuerda de arranque (carrete de 76 m)

**TOOLS
OUTILS
WERKZEUGE
ATTREZZI
HERRAMIENTAS**

- ▶ **WRENCH (combination)..... D-24814-A**
 Clé combiné
 Schraubenschlüssel Kombination
 Chiave combinata
 Llave combinada
- ▶ **SILASTIC (crankcase sealing)..... 24823**
 Silastic (étanchéité du carter)
 Silastic (Kurbelgehäuse Dichtung)
 Silastic (sigillo di tenuta del carter)
 Silastic (sello del cárter)
- ▶ **PULLER- Magneto Rotor A-24747-A**
 Extracteur, rotor magnéto
 Abziehwerkzeug-Magnetrotor
 Rotore d'estrazione a magnete
 Extractor-rotor de magneto
- ▶ **IGNITION TEST SPARK PLUG JA-31316-4**
 Testeur d'allumage
 Testzündkerze für Zündprüfung
 Candela di collaudo
 Bujía para probar el encendido
- ▶ **SHIM (0.015" AIR GAP)..... 22486**
 Cale (écart de 0,38 mm)
 Distanzscheibe (0,38 mm Luftspalt)
 Spessore (spinterometro 0,38 mm)
 Suplemento (espacio de 0,38 mm)
- ▶ **T-25 TORX DRIVE BIT 24982-01**
 Foret torx T-25
 T-25 Torx-Antriebsbit
 Punta Torx Drive T-25
 Broca de empuje T-25 Torx
- ▶ **T-27 TORX DRIVE BIT 18566-01**
 Foret torx T-27
 T-27 Torx-Antriebsbit
 Punta Torx Drive T-27
 Broca de empuje T-27 Torx

Ref #	Part #	Description	Qty
A-70239-E	A70239E	KIT- Repair (sprocket nose bar)	1
7031099	7031099	FUEL LINE (10 ft. length)	1
7030999	7030999	OIL LINE- (10 ft. length)	1
DA-70776-B	DA70776B	SAFE-T-TIP (Standard)	1
18453	18453	GREASE- Multi Purpose (Sprocket bearing-PT guide bar)	1
94216-A	94216A	CARRYING CASE	1
98052-A	98052A	STARTING ROPE (250 ft. Reel)	1
D-24814-A	D24814A	WRENCH (combination)	1
24823	24823	SILASTIC (crankcase sealing)	1
A24747A	A24747A	PULLER- Magneto Rotor	1
JA313164	JA313164	IGNITION TEST SPARK PLUG	1
22486	22486	SHIM (0.015" AIR GAP)	1
2498201	2498201	T-25 TORX DRIVE BIT	1
18566-01	1856601	T-27 TORX DRIVE BIT	1