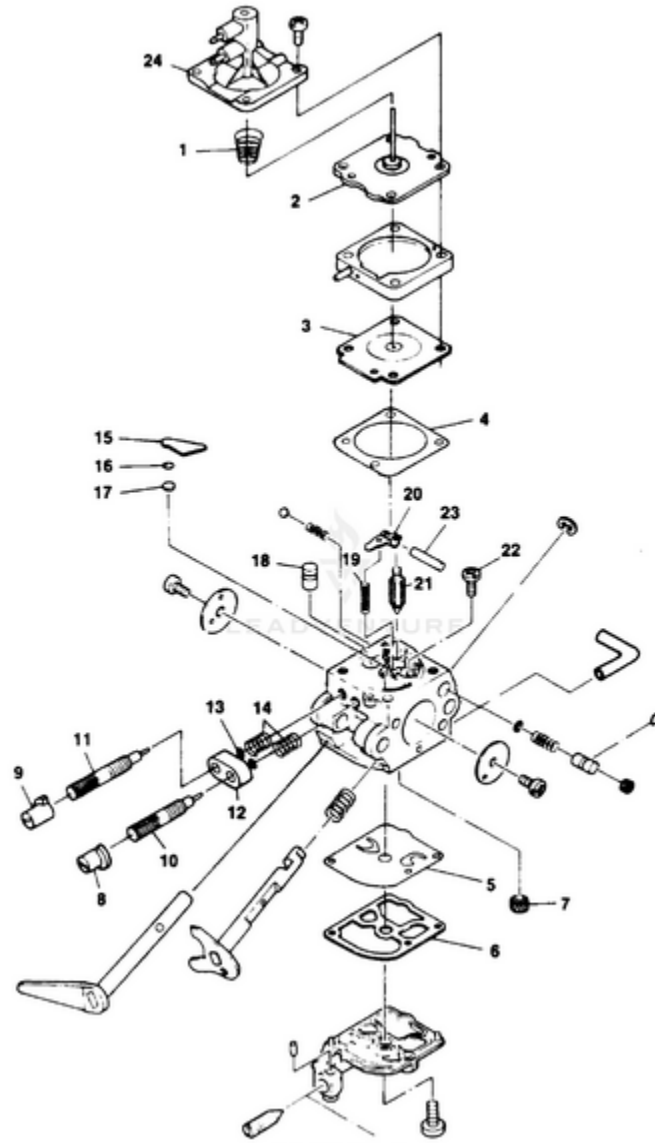


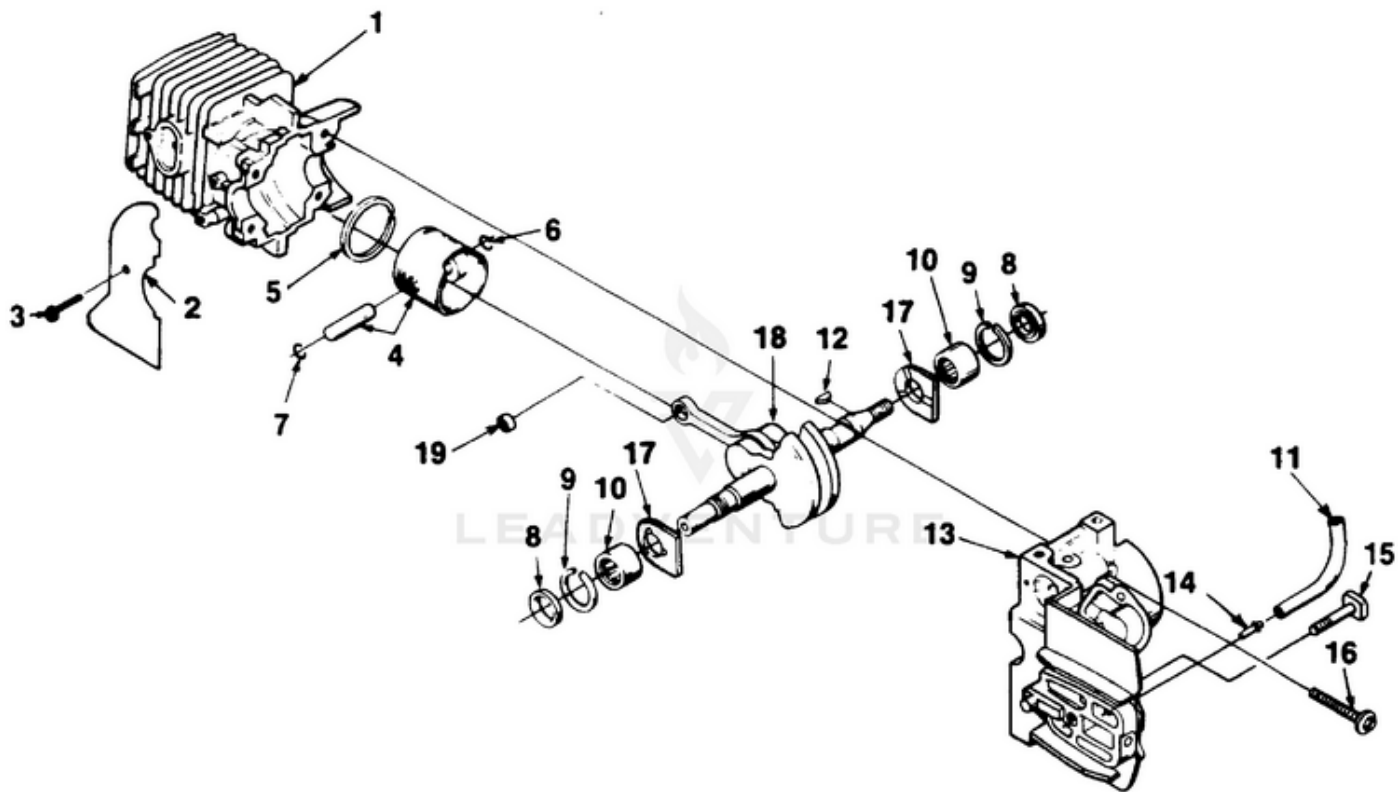
180 Chain Saw UT-10720-A 10720-A-UT 180 Chain Saw UT-10720-A 180 Chain Saw - Carburetor



Rendered by LeadVenture, Inc.

<b>Ref #</b>	<b>Part #</b>	<b>Description</b>	<b>Qty</b>
1	A03905	Repair Kit	1
	02773	Oil Pump Plunger Kit	1
2	A03905	Repair Kit	1
	02773	Oil Pump Plunger Kit	1
3	A03905	Repair Kit	1
	A03904	DIAPH&GSKT KIT(250)	1
4	A03905	Repair Kit	1
	A03904	DIAPH&GSKT KIT(250)	1
5	A03905	Repair Kit	1
	A03904	DIAPH&GSKT KIT(250)	1
6	A03905	Repair Kit	1
	A03904	DIAPH&GSKT KIT(250)	1
7	A03905	Repair Kit	1
8	A03905	Repair Kit	1
9	A03905	Repair Kit	1
10	A03905	Repair Kit	1
11	A03905	Repair Kit	1
12	A03905	Repair Kit	1
13	A03905	Repair Kit	1
14	A03905	Repair Kit	1
15	A03905	Repair Kit	1
16	A03905	Repair Kit	1
17	A03905	Repair Kit	1
18	A03905	Repair Kit	1
19	A03905	Repair Kit	1
20	A03905	Repair Kit	1
21	A03905	Repair Kit	1
22	A03905	Repair Kit	1
23	A03905	Repair Kit	1
24	02770	Oil Pump Body	1

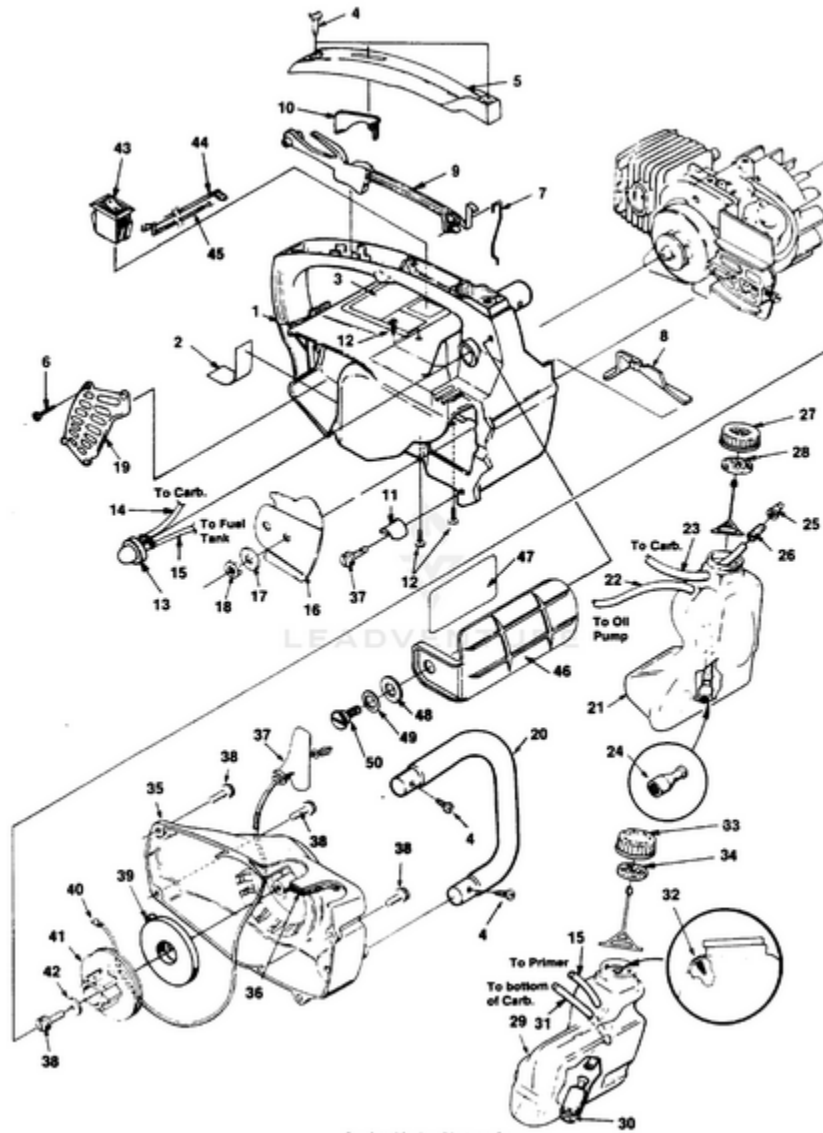
180 Chain Saw UT-10720-A 10720-A-UT 180 Chain Saw UT-10720-A 180 Chain Saw - Engine Internals



Rendered by LeadVenture, Inc.

<b>Ref #</b>	<b>Part #</b>	<b>Description</b>	<b>Qty</b>
1	024852	CYLINDER (Super 2 Only)	1
	04328	CYLINDER (XL Only)	1
2	02639	SHIELD- Sawdust	1
3	93932	SCREW- Tapping (#6-32 x 5/16")	1
4	A98967A	PISTON & PIN ASSY (Super 2 Only)	1
5	93165	RING- Piston	1
6	65261	RING- Retaining	1
7	98096	RING- Retaining	1
	A04330	PISTON & PIN ASSY (XL Only)	1
	04329	RING- Piston (See #5)	1
	65261	RING- Retaining (See #6)	1
	98096	RING- Retaining (See #7)	1
8	94638	SEAL	2
9	69407	SPACER	2
10	12530	BEARING- Needle	2
11	7031017	TUBING- Rubber (Oil Line)	2
12	69250	KEY	1
13	A03060A	CRANKCASE ASSY.	1
14	94619	FITTING	1
15	69195	BOLT- Guide bar thd. forming	1
16	82567	SCREW- Torx pan hd. (10-24 x 1 1/8")	4
17	03962	WASHER- Thrust	2
18	A97611A	CRANKSHAFT ASSY.	1
19	02035	BEARING	1
	81229	NUT- Lock (Not Shown)	1

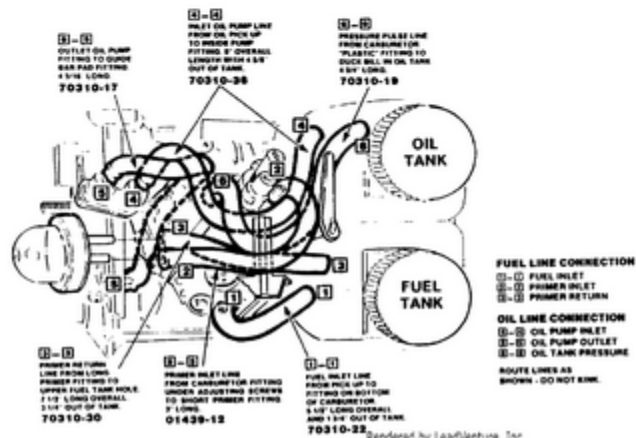
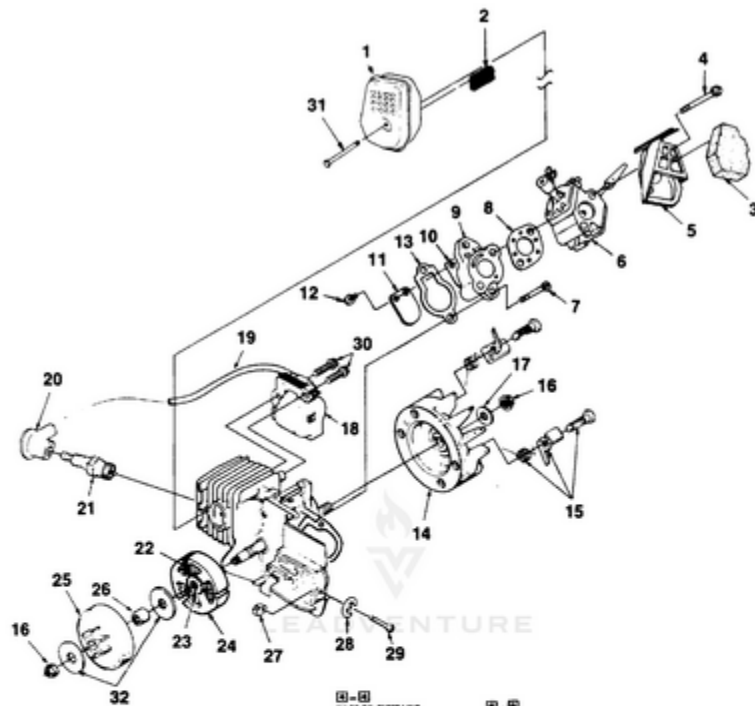
180 Chain Saw UT-10720-A 10720-A-UT 180 Chain Saw UT-10720-A 180 Chain Saw - Housing & Handles



<b>Ref #</b>	<b>Part #</b>	<b>Description</b>	<b>Qty</b>
1	A03058	HOUSING- Engine	1
2	02640	TAPE	1
3	02490	DECAL	1
	03271	DECAL (International Only)	1
4	94065	SCREW- Pan, plastite (#10-16 x 3/4")	4
5	02495	COVER- Handle	1
6	82528	SCREW- Pan plastite (#6-3/8")	4
7	02501	ROD- Throttle	1
8	02481	COVER- Air filter	1
9	02492A	TRIGGER	1
10	02493	LOCK- Trigger	1
11	95212	STOP- Chain	1
12	82538	SCREW- Torx, taptite (#10-24 x 3/4")	4
13	02487	PRIMER BULB	1
14	0143912	TUBING- Inlet (3")	1
15	7031030	TUBING- Return (7")	1
16	69360A	PLATE- Guide bar	1
17	69309A	WASHER- Flat	1
18	810652	NUT- Hex	1
19	02765	SHIELD- Muffler	1
20	02496	HANDLE BAR	1
21	A02763	TANK- Oil	1
22	7031036	TUBING- (9")	1
23	7031019	TUBING (4 3/4")	1
24	A68593	FINDER- Oil	1
25	98819	VALVE- Check	1
26	01327	FITTING- Oil line	1
27	A97230A	CAP-Oil	1
28	94494	GASKET- Cap	1
29	A02764	TANK- Fuel	1
30	49422	FILTER- Fuel	1
31	7031022	LINE- Fuel (5 1/2")	1
32	98819	VALVE- Check	1
33	A97230A	CAP- Fuel	1
34	94494	GASKET- Cap	1
35	A02562B	STARTER HOUSING ASSY.	1
36	69443	FILTER	1
37	02264	GRIP- Starter	1
38	82563	SCREW- Torx, plastite (#10 x 3/4")	6
39	A97908	SPRING & CONTAINER	1
40	9789901	ROPE- Starter	1

<b>Ref #</b>	<b>Part #</b>	<b>Description</b>	<b>Qty</b>
41	97768A	PULLEY- Starter	1
42	94062	WASHER- Retaining	1
43	02497	SWITCH	1
44	A02482	LEAD- w/Flag Term.	1
45	A02484	LEAD- w/Ring Term.	1
46	A70796C	HANDGUARD KIT	1
47	02661	DECAL- Handguard	1
48	95694	WASHER- Curve spring	1
49	96102	WASHER- Flat	1
50	95714	SCREW- Shoulder	1

180 Chain Saw UT-10720-A 10720-A-UT 180 Chain Saw UT-10720-A 180 Chain Saw - Peripheral Engine Parts



Rendered by LeadVenture, Inc.



<b>Ref #</b>	<b>Part #</b>	<b>Description</b>	<b>Qty</b>
1	A02459	MUFFLER	1
2	02458	SCREEN- Spark arrestor	1
3	02500	FILTER- Air (10-24 x 1 7/8")	1
4	82578	SCREW- Shoulder plastite (#10-24 x 1 3/4")	2
5	02491A	BOX- Air filter	1
6	A02486A	CARBURETOR & OIL PUMP ASSY.	1
7	825491	SCREW- Torx taptite, thd. forming (10-24 x 1")	2
8	02488	GASKET- Carburetor	1
9	A02499	HEAT DAM	1
10	95983	REED	1
11	03205	STOP- Reed	1
12	82498	SCREW- Hex Taptite (4-40 x 3/9)	2
13	02453	GASKET- Intake manifold	1
14	A95007	ROTOR & STARTER PAWL	1
15	A70285E	KIT- Starter pawl	1
16	81229	NUT- (5/16-24)	2
17	84065	WASHER- (5/16")	1
18	94711CS	MODULE	1
19	69326	LEAD- Hi-Tension	1
20	A33055	TERMINAL HIGH TENS(P TBO	1
21	96169S	SPARK PLUG (Champion DJ7Y)	1
	79252	SPARK PLUG (Champion RDJ7Y) (International Only)	1
22	98066	SPRING- Clutch	3
23	79221	SPIDER- Clutch	1
24	79222A	SHOE- Clutch	3
25	A95653C	SPROCKET & DRUM	1
26	70277	BEARING	1
27	692542	PIN- Adjusting	1
28	A00440	SCREW & E-RING KIT	1
29	93574	E-RING	1
30	82540	SCREW Machine hex sems	2
31	93460	SCREW- Machine hex sems (10-24 x 1 7/8")	1
32	95299	WASHER- Thrust	2
	A97921A	KIT - Clutch complete	1

180 Chain Saw UT-10720-A 10720-A-UT 180 Chain Saw UT-10720-A 180 Chain Saw - Tools & Accessories

**ACCESSORIES  
ACCESSOIRES  
ZUBEHÖR  
ACCESSORIES  
ACCESORIOS**

- ▶ **KIT- Repair (sprocket nose bar)**..... A-70239-E  
Jeu de réparation (Lame à nez à pignon)  
Reparatursatz (Kettenrad-Nasenspitze)  
Kit per riparazioni (denta punta lama)  
Juego de reparación (extremo barra rueda dentada)
- ▶ **FUEL LINE (10 ft. length)** ..... 70310-99  
Conduite de carburant (3 m de long)  
Kraftstoffleitung (3 m Länge)  
Condotto d'alimentazione (3 m di lunghezza)  
Linea de combustible (10 pies de largo)
- ▶ **OIL LINE- (10 ft length)**..... 70309-99  
Conduite d'huile (3 m de long)  
Ölleitung (3 m Länge)  
Condotto dell'olio (3 m di lunghezza)  
Linea de aceite (10 pies de largo)
- ▶ **SAFE•T•TIP® (Standard)** ..... DA-70776-B  
SAFE•T•TIP® (Standard)  
SAFE•T•TIP® (Standard)  
SAFE•T•TIP® (Standard)  
SAFE•T•TIP® (Standard)
- ▶ **GREASE- Multi Purpose (Sprocket bearing-PT guide bar)** .....18453  
Graisse universelle (Palier de pignon-PT - lame-guide)  
Mehrzweck-Schmiermittel (Kettenradlager-PT-Führungsschiene)  
Grasso, multiuso Cuscinetto della ruota dentata - PT - barra di guida)  
Grasa de uso general (Cojinete de la rueda dentada - PT - barra guía)
- ▶ **CARRYING CASE** ..... 94216-A  
Boitier de transport  
Tragekasten  
Custodia  
Maletin
- ▶ **STARTING ROPE (250 ft. Reel)**.....98052-A  
Cordon de lanceur (75 m bobine)  
Starterseil (76 m Spule)  
Corda d'avviamento (bobina da 76 m)  
Cuerda de arranque (carrete de 76 m)

**TOOLS  
OUTILS  
WERKZEUGE  
ATTREZZI  
HERRAMIENTAS**

- ▶ **WRENCH (combination)**..... D-24814-A  
Clé combiné  
Schraubenschlüssel Kombination  
Chiave combinata  
Llave combinada
- ▶ **SILASTIC (crankcase sealing)**..... 24823  
Silastic (étanchéité du carter)  
Silastic (Kurbelgehäuse Dichtung)  
Silastic (sigillo di tenuta del carter)  
Silastic (sello del cárter)
- ▶ **PULLER- Magneto Rotor**..... A-24747-A  
Extracteur, rotor magnéto  
Abziehwerkzeug-Magnetrotor  
Rotore d'estrazione a magnete  
Extractor-rotor de magneto
- ▶ **IGNITION TEST SPARK PLUG** ..... JA-31316-4  
Testeur d'allumage  
Testzündkerze für Zündprüfung  
Candela di collaudo  
Bujia para probar el encendido
- ▶ **SHIM (0.015" AIR GAP)**..... 22486  
Cale (écart de 0,38 mm)  
Distanzscheibe (0,38 mm Luftspalt)  
Spessore (spinterometro 0,38 mm)  
Suplemento (espacio de 0,38 mm)
- ▶ **T-25 TORX DRIVE BIT** ..... 24982-01  
Foret torx T-25  
T-25 Torx-Antriebsbit  
Punta Torx Drive T-25  
Broca de empuje T-25 Torx
- ▶ **T-27 TORX DRIVE BIT**.....18566-01  
Foret torx T-27  
T-27 Torx-Antriebsbit  
Punta Torx Drive T-27  
Broca de empuje T-27 Torx

<b>Ref #</b>	<b>Part #</b>	<b>Description</b>	<b>Qty</b>
A-70239-E	A70239E	KIT- Repair (sprocket nose bar)	1
7031099	7031099	FUEL LINE (10 ft. length)	1
7030999	7030999	OIL LINE- (10 ft. length)	1
DA-70776-B	DA70776B	SAFE-T-TIP (Standard)	1
18453	18453	GREASE- Multi Purpose (Sprocket bearing-PT guide bar)	1
94216-A	94216A	CARRYING CASE	1
98052-A	98052A	STARTING ROPE (250 ft. Reel)	1
D-24814-A	D24814A	WRENCH (combination)	1
24823	24823	SILASTIC (crankcase sealing)	1
A24747A	A24747A	PULLER- Magneto Rotor	1
JA313164	JA313164	IGNITION TEST SPARK PLUG	1
22486	22486	SHIM (0.015" AIR GAP)	1
2498201	2498201	T-25 TORX DRIVE BIT	1
18566-01	1856601	T-27 TORX DRIVE BIT	1