

# **POWERMATIC®**

## **Operating Instructions and Parts Manual 18-inch Variable Speed Drill Press Model PM2800B**

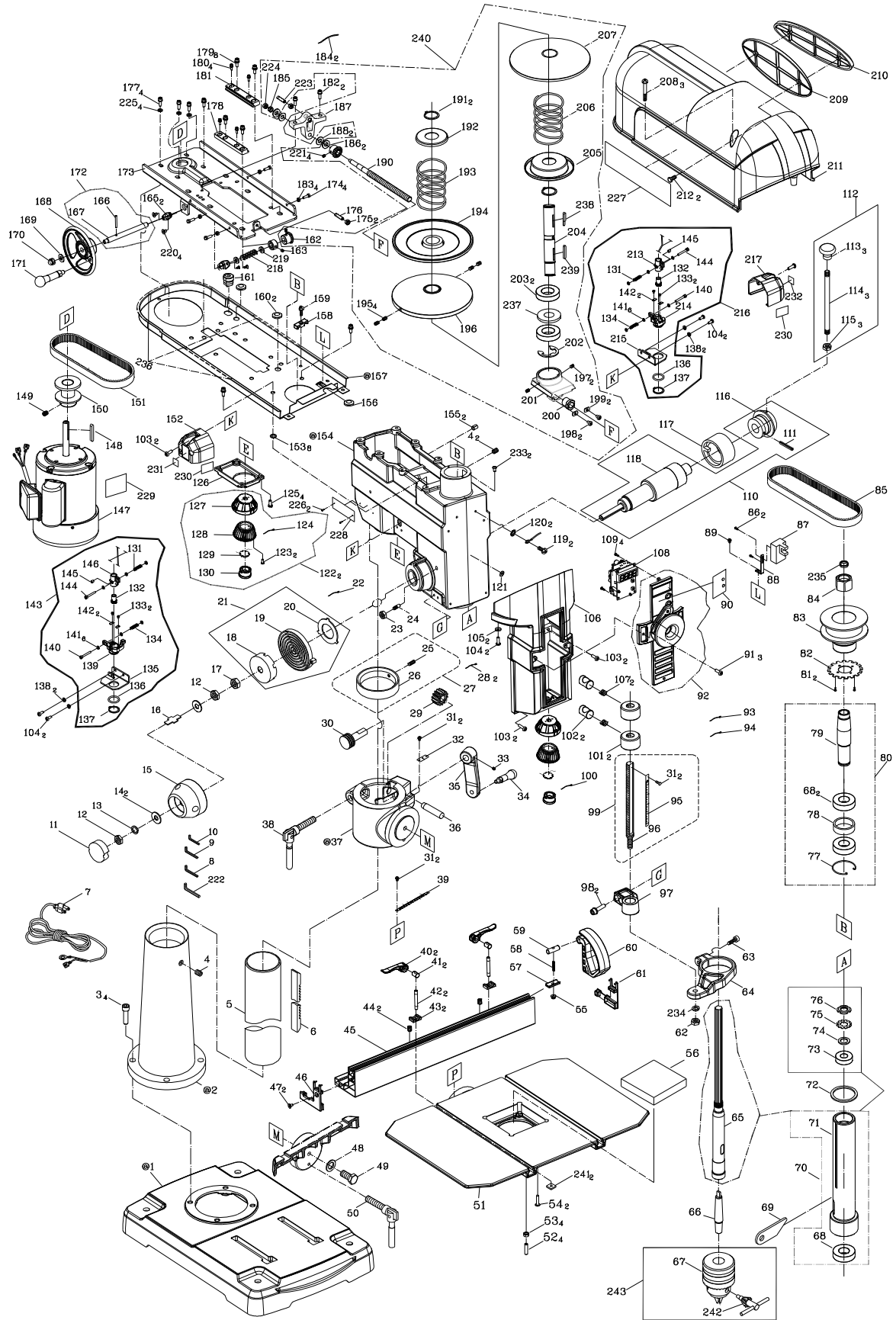


### **Powermatic**

427 New Sanford Road  
LaVergne, Tennessee 37086  
Ph.: 800-274-6848  
[www.powermatic.com](http://www.powermatic.com)

**Part No. M-1792800B**  
Revision E 08/2018  
Copyright © 2018 Powermatic

# 13.1.1 Exploded View for PM2800B



### 13.1.2 Part List for PM2800B

Index No.	Part No.	Description	Size	Qty.
1	PM2800B-001	Base		1
2	PM2800-075	Column Holder		1
3	TS-1505061	Hex Socket Head Cap Screw	M10x40	4
4	TS-1525021	Socket Set Screw	M10x12	3
5	PM2800B-005	Column		1
6	PM2800B-006	Rack		1
7	PM2800-180	Power Cord	14AWGx3C	1
8	TS-152707	Hex Wrench	6mm	1
9	TS-152706	Hex Wrench	5mm	1
10	TS-152704	Hex Wrench	3mm	1
11	PM2800-052	Cover		1
12	TS-0561052	Hex Nut	1/2"-20 UNF	2
13	TS-0720111	Lock Washer	1/2"	1
14	TS-2360121	Flat Washer	M12	2
15	PM2800B-015	Hub		1
16	PM2800-045	Key		1
17	TS-0561052	Hex Nut	1/2"-20 UNF	1
18	PM2800B-018	Spring Cap		1
19	PM2800B-019	Coil Spring		1
20	PM2800B-020	Spring Retainer		1
21	PM2800B-021	Coil Spring Assembly (index #18,19,20)		1
22	PM2800B-022	Lead Wire Assembly, circuit board to rear light (jumper) .25"L		1
23	TS-1540071	Hex Nut	M10	1
24	PM2800B-024	Quill Set Screw		1
25	TS-1523021	Hex Socket Set Screw	M6x8	1
26	PM2800-057	Rack Ring		1
27	PM2800-055	Rack Ring Assembly		1
28	PM2800B-028	Lead Wire Assembly, circuit board to laser	27"L	2
29	PM2800-060	Gear		1
30	PM2800-061	Worm		1
31	PM2800-037	Drive Screw	Ø2.3-5 mm	6
32	PM2800-063	Centering Scale		1
33	TS-1523031	Hex Socket Set Screw	M6x10	1
34	PM2800B-034	Crank Arm Handle		1
35	PM2800B-035	Crank Arm		1
36	PM2800B-036	Gear Shaft		1
37	PM2800B-037	Table Bracket		1
38	PM2800B-038	Column Lock Handle		1
39	PM2800-067	Tilt Angle Scale		1
40	PM2800B-040	Cam Handle		2
41	PM2800B-041	Center Shaft		2
42	PM2800B-042	Plunge Pin		2
43	PM2800B-043	Cam Plate		2
44	TS-1524041	Slotted Set Screw	M8x16	2
45	PM2800B-045	Fence		1
46	PM2800B-046	Left Fence Cap		1
47	PM2800B-047	Phillips C'sunk Hd. Tapping Screw	M5x12	2
48	TS-155010	Flat Washer	Ø16mm	1
49	TS-0044091	Hex Cap Screw	3/8-16 x 3-1/2"	1
50	PM2800B-050	Clamp Handle		1
51	PM2800B-051	Table		1
52	TS-1523071	Hex Socket Set Screw	M6x25	4
53	TS-1540041	Hex Nut	M6	4
54	PM2800B-054	Phillips Truss Hd. Tapping Screw	M4-16x25	2
55	PM2800B-055A	Flanged Lock Nut	M6-1.0 T=3	3
56	PM2800B-056	Table Insert		1
57	PM2800B-057	Cam Plate		1
58	TS-1523081	Hex Socket Set Screw	M6x30	1
59	PM2800B-059	Center Shaft		1
60	PM2800B-060	Work Stop		1
	PM2800B-WSA	Work Stop Assembly (index # 55,57-60)		1
61	PM2800B-061	Right Fence Cap		1
62	TS-1540071	Hex Nut	M10	1

Index No.	Part No.	Description	Size	Qty.
63	TS-1504051	Hex Socket Hd. Cap Screw	M8x25	1
64	PM2800B-064	Collar		1
65	PM2800B-065	Spindle		1
66	PM2800-140	Arbor	MT2xJT3	1
67	JDP17-092	Keyed Chuck	RJ-16L	1
68	BB-6205LLU	Ball Bearing	6205LLU	3
69	PM2800-136	Drift Key		1
70	PM2800B-070	Spindle Assembly (index #68,71,73-76)		1
71	PM2800B-071	Quill		1
72	PM2800-134	Rubber Washer		1
73	BB-6203LLU	Ball Bearing	6203LLU	1
74	PM2800-132	Washer		1
75	PM2800-131	Nut Lock		1
76	PM2800-130	Spindle Nut		1
77	PM2800-155	Retaining Ring		1
78	PM2800B-078	Collar		1
79	PM2800B-079	Drive Sleeve		1
80	PM2800B-080	Drive Sleeve Assembly (index #68,77-79)		1
81	TS-2171012	Phillips Pan Hd. Machine Screw	M4x6	2
82	PM2800B-082	Speed Plate		1
83	PM2800B-083	Spindle Pulley		1
84	PM2800B-084	Pulley Set Nut		1
85	PM2800B-085	Variable Speed Belt	28x8x790	1
86	PM2800-100	Truss Head Tapping Screw	M3x8	2
87	PM2800-116	Photo Interrupt Module		1
88	PM2800B-088	Bracket		1
89	628494	Phillips Pan Hd. Machine Screw	M5x6	1
90	PM2800B-090	Switch Label		1
91	PM2800B-091	Hex Socket Truss Hd. Screw	M5-0.8x16	3
92	PM2800B-092	Push-Pull Type Switch Assembly		1
92-1	PM2800-103-1	Switch Safety Key		1
93	PM2800-099	Lead Wire Assembly, on/off switch to circuit board	white	1
94	PM2800-102	Lead Wire Assembly, on/off switch to circuit board	black	1
95	PM2800B-095	Depth Scale		1
96	PM2800B-096	Stop Bolt		1
97	PM2800B-097	Plunge Housing		1
98	TS-1503091	Hex Socket Hd. Cap Screw	M6x40	2
99	PM2800B-099	Depth Stop Bolt and Scale Assembly		1
100	PM2800B-100	Lead Wire Assembly, circuit board to front light (jumper)	.4"L	1
	PM2800B-SNA	Stop Nut Assembly (includes #101,102,107)		1
101	PM2800B-101	Stop Nut		2
102	PM2800B-102	Adjusting Nut		2
103	PM2800B-103	Hex Socket Truss Hd. Screw	M5-0.8x25	6
104	PM2800B-104	Hex Socket Truss Hd. Screw	M5-0.8x12	6
105	TS-1550031	Flat Washer	Ø5mm	2
106	PM2800B-106	Switch Box		1
107	PM2800B-107	Spring		2
108	PM2800B-108	Controller Assembly		1
109	PM2800B-109	Phillips Pan Hd. Tapping Screw	M3-24x6	4
110	PM2800B-110	Feed Shaft Assembly		1
111	PM2800-113	Spring Pin	Ø5x16mm	1
112	PM2800-164	Handle Assembly (index #113-115)		1
113	PM2800-163	Handle Grip		3
114	PM2800-162	Handle		3
115	TS-1540081	Hex Nut	M12	3
116	PM2800B-116	Hub		1
117	PM2800B-117	Ring		1
118	PM2800B-118	Feed Shaft		1
119	6290832	Phillips Pan Hd. Machine Screw	M5x8	2
120	PM2800-097	External Tooth Lock Washer	M5	2
121	PM2800-096	Grounding Sticker		1
122	PM2800B-122	Lamp Assembly		2
123	TS-2283102	Phillips Pan Hd. Machine Screw	M3x10	4
124	PM2800B-124	Lead Wire Assembly, circuit board to rear light (jumper)	.6"L	2
125	TS-1533042	Phillips Pan Hd. Machine Screw	M5x12	4

Index No.	Part No.	Description	Size	Qty.
126	PM2800B-126	Rubber Cap		1
127	PM2800B-127	LED Seat		2
128	PM2800B-128	Heat Sink		2
129	PM2800B-129	LED Assembly		2
130	PM2800B-130	Lens Assembly		2
131	PM2800B-131	Spring		2
132	PM2800B-132	Laser Module		2
133	PM2800B-109	Phillips Pan Hd. Tapping Screw	M3-24x6	4
134	PM2800B-134	Spring		2
135	PM2800B-135	Laser Plunge Bracket (Left)		1
136	PM2800B-136	O-Ring	AS-120	2
137	PM2800-154	C-Ring	A-25	2
138	TS-2361051	Lock Washer	M5	4
139	PM2800B-139	Laser Plunge Housing (Left)		1
140	TS-1501081	Hex Socket Hd. Cap Screw	M4x30	2
141	TS-1550021	Flat Washer	Ø4mm	12
142	PM2800B-142	Pad		4
143	PM2800B-143	Laser Assembly (Left) (index #131-137,139-146)		1
144	TS-1501081	Hex Socket Hd. Cap Screw	M4x30	2
145	TS-1523011	Slotted Set Screw	M6x6	2
146	PM2800B-146	Laser Axle Seat (Left)		1
147	PM2800B-147	Motor Assembly	1HP, 115/230V, 1Ph	1
	PM2800B-147MF	Motor Fan (not shown)		1
	PM2800B-147MFC	Motor Fan Cover		1
	PM2800B-147SC	Starting Capacitor	300µF, 250VAC	1
	PM2800B-147CC	Capacitor Cover		1
	PM2800B-147CS	Centrifugal Switch (not shown)		1
	PM2800B-147JB	Junction Box		1
	PM2800B-147JBC	Junction Box Cover		1
148	PM2800B-148	Parallel Key	6x6x30	1
149	TS-1523031	Hex Socket Set Screw	M6x10	1
150	PM2800B-150B	Motor Pulley (s/n 13110333 and higher)		1
151	PM2800B-151	Variable Speed Belt	28*8*680	1
152	PM2800B-152	Guard		1
153	PM2800B-153	Flat Washer	Ø8.5*22-3	8
154	PM2800B-154A	Head Casting (s/n 1308001 and higher)		1
155	PM2800B-155	Spring Pin	6.0x30	2
156	PM2800B-156	Strain Relief	Ø20mm	1
157	PM2800B-157A	Lower Pulley Cover (s/n 1308001 and higher)		1
158	PM2800-007	Cord Clamp		1
159	TS-1533052	Phillips Pan Hd. Machine Screw	M5x16	1
160	PM2800B-160	Strain Relief	Ø11	2
161	PM2800B-161	Strain Relief	RA-1418	1
162	PM2800B-162	Bevel Gear		2
163	TS-1523011	Hex Socket Set Screw	M6x6	2
164	PM2800B-164	Collar		1
165	PM2800B-165	Plate		2
166	992313	Spring Pin	3x30mm	1
167	PM2800B-167	Speed Adjustment Shaft		1
168	PM2800B-168	Handwheel		1
169	TS-0680031	Flat Washer	5/16"	1
170	PM2800B-170	Crown Nut		1
171	PM2800B-171	Handle		1
172	PM2800B-172	Speed Adjustment Shaft Assembly (index #166,167)		1
173	PM2800B-173A	Retaining Plate (s/n 1308001 and higher)		1
174	TS-1503051	Hex Socket Head Cap Screw	M6x20	2
175	TS-2311061	Hex Nut	M6	2
176	TS-1523081	Socket Set Screw	M6x30	1
177	TS-1503061	Hex Socket Head Cap Screw	M6x25	4
178	PM2800B-178A	Left Brace Block (s/n 1308001 and higher)		1
179	TS-1504051	Hex Socket Head Cap Screw	M8x25	8
180	TS-1503041	Hex Socket Head Cap Screw	M6x16	4
181	PM2800B-181A	Right Brace Block (s/n 1308001 and higher)		1
182	TS-1514021	Hex Socket Flat Head Screw	M6x25	2

Index No.	Part No.	Description	Size	Qty.
183	TS-2311061	Hex Nut	M6	4
184	PM2800B-184	Locking Cable Tie		2
185	PM2800B-185	Nut	M6	1
186	TS-1550041	Flat Washer	Ø6mm	2
187	PM2800B-187A	Slide Block (s/n 1308001 and higher)		1
188	PM2800B-188	Washer		2
189	TS-1503041	Hex Socket Hd. Cap Screw	M6x16	2
190	PM2800B-190	Lead Screw		1
191	PM2800-022	C-Ring	A-30	2
192	PM2800B-192	Spring Cap		1
193	PM2800B-193	Compression Spring		1
194	PM2800B-194B	Upper Center Pulley (s/n 13110333 and higher)		1
195	TS-1523031	Hex Socket Set Screw	M6x10	4
196	PM2800B-196	Center Pulley		1
197	TS-1523011	Socket Set Screw	M6x6	6
198	PM2800B-198	Hex Socket Truss Hd. Screw	M5-0.8x8	2
199	PM2800B-199	Flat Washer		2
200	PM2800B-200	Special Nut		1
201	PM2800B-201A	Center Shaft Seat		1
202	PM2800B-202	E-Ring	E-24	1
203	BB-6028LLU	Ball Bearing	6028LLU	2
204	PM2800B-204B	Center Shaft (s/n 13110333 and higher)		1
205	PM2800B-205	Spring Cap		1
206	PM2800B-206	Compression Spring		1
207	PM2800B-207B	Lower Center Pulley (s/n 13110333 and higher)		1
208	PM2800B-208A	Phillips Pan Hd. Machine Screw	M6x100	3
209	PM2800B-209	Name Plate Seat		1
210	PM2800-176	Powermatic Name Plate		1
211	PM2800B-211	Pulley Cover		1
212	TS-0050021	Hex Cap Screw	1/4x5/8"	2
213	PM2800B-213	Laser Axle Seat (Right)		1
214	PM2800B-214	Laser Plunge Housing (Right)		1
215	PM2800B-215	Laser Plunge Bracket (Right)		1
216	PM2800B-216	Laser Assembly (Right)		1
217	PM2800B-217	Guard		1
218	PM2800B-218	Spring		1
219	TS-1550071	Flat Washer	Ø10mm	2
220	TS-2284081	Phillips Flat Hd. Screw	M4x8	4
221	TS-1523021	Hex Socket Set Screw	M6x8	4
222	TS-227D081	Hex Wrench	8mm	1
223	TS-1523081	Hex Socket Set Screw	M6x30	1
224	TS-2311061	Hex Nut	M6	1
225	TS-1550041	Flat Washer	Ø6mm	4
226	PM2800-037	Drive Screw	Ø2.3-5mm	2
227	PM2800B-227	Caution Label		1
228	PM2800B-228	I.D. Label		1
229	PM2800B-229	Motor Label		1
230	PM2800B-230	Warning Label – Laser		2
231	PM2800B-231	Label – Laser Adjustment (Left)		1
232	PM2800B-232	Label – Laser Adjustment (Right)		1
233	6290832	Pan Head Machine Screw	M5x8	2
234	TS-2361101	Spring Washer	M10	1
235	PM2800B-235	Rubber Sleeve (s/n 1308001 and higher)		1
236	PM2800B-236	U Shape Protecting Rubber (s/n 1308001 and higher)		1
237	PM2800B-237	Collar (s/n 1308001 and higher)		1
238	PM2800B-238B	Special Key	5x5x35 mm	1
239	PM2800-239	Parallel Key	5x35 T=4.5 mm	1
240	PM2800B-240	Center Spindle Assembly (includes #162, 185~187, 190~207, 221, 223, 224, 237~239)		1
241	PM2800B-241	Rectangular Nut		2
242	JDP17-091	Chuck Key	T4	1
243	JDP17-211	Chuck Assembly (#67 and #242)		1