

POWERMATIC®

Operating Instructions and Parts Manual 20"x14" Benchtop Woodturner's Lathe Model PM2014

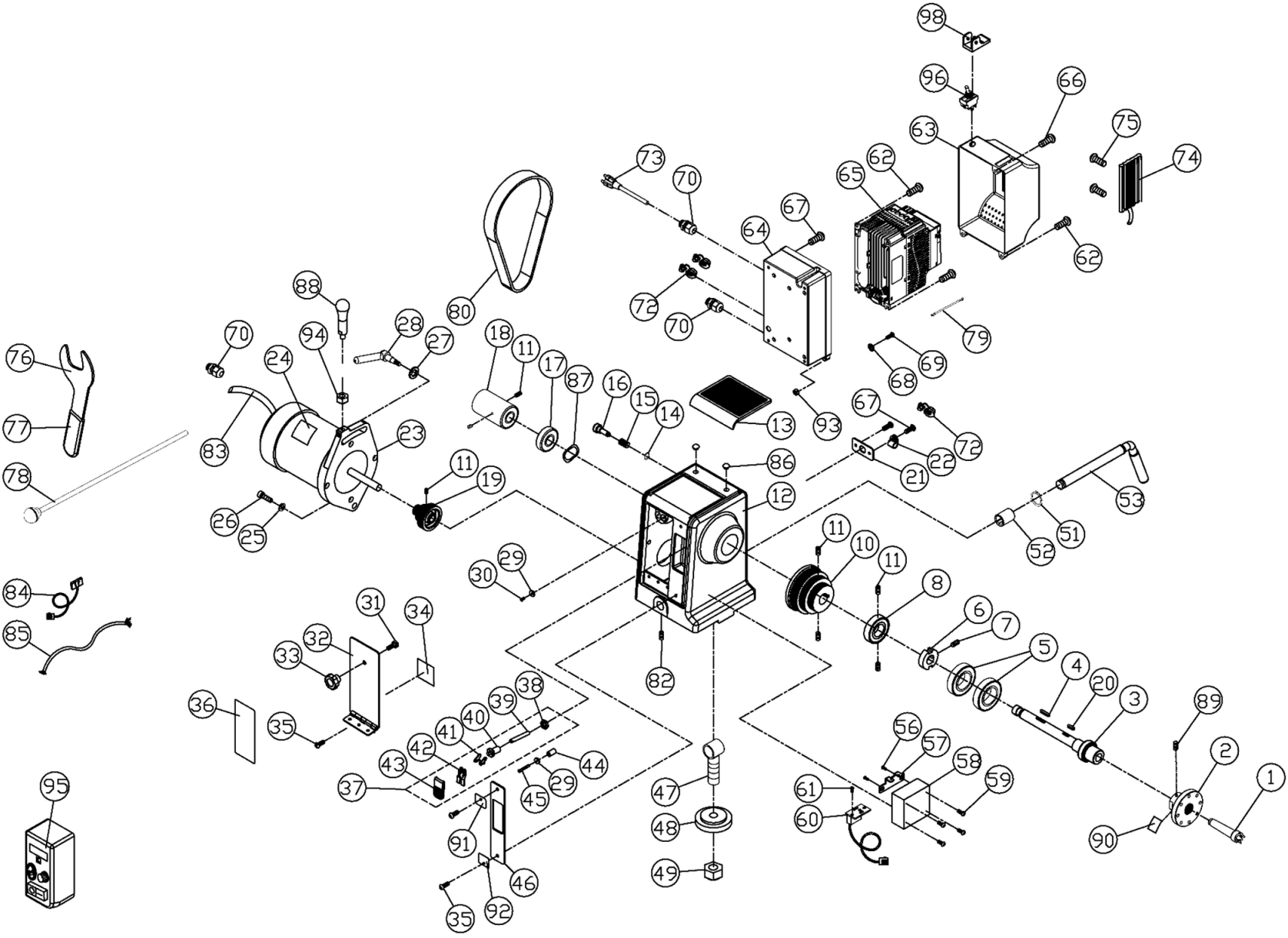


Shown with optional stand #1792014S
(ordered separately)

Powermatic
427 New Sanford Road
LaVergne, Tennessee 37086
Ph.: 800-274-6848
www.powermatic.com

Part No. M-1792014
Edition 1 11/2019
Copyright © 2019 Powermatic

15.1.1 PM2014 Headstock Assembly – Exploded View

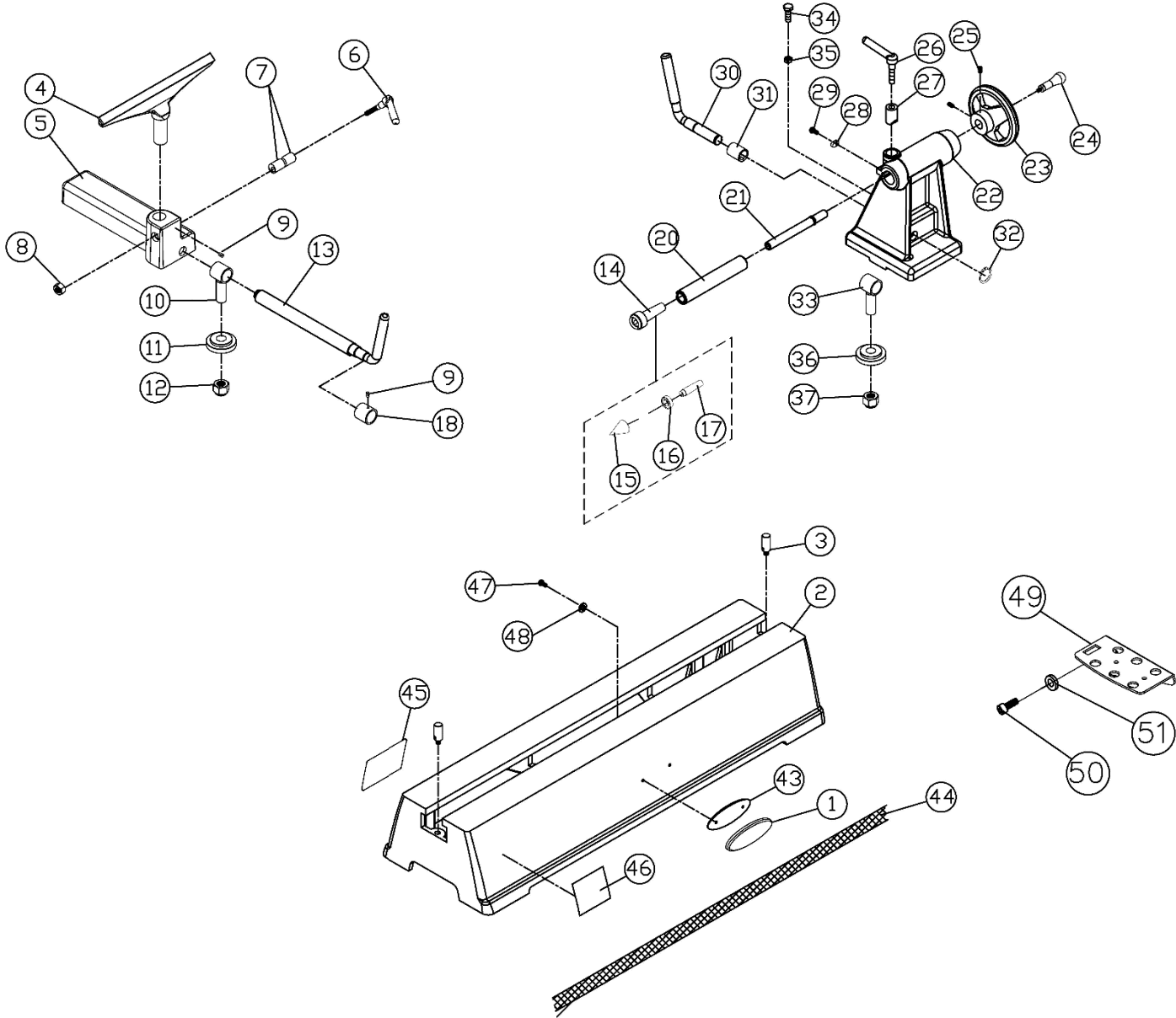


15.1.2 PM2014 Headstock Assembly – Parts List

Index No.	Part No.	Description	Size	Qty
	PM2014-HA	Headstock Assembly		1
1	JML-3	Spur Center		1
	JML-3A	Center Point for Spur Center		1
2	6294736	Faceplate Assembly (includes #89 and 90)	3"	1
3	PM2014-103	Spindle		1
4	JML-5	Key	5x5x25 mm	1
5	BB-6005ZZ	Ball Bearing	6005ZZ	2
6	PM2014-106	Stop Collar		1
7	TS-0266022	Set Screw	#10-24x1/4"	1
8	3520C-185	Sensor Collar Kit		1
10	JWL1221VS-117	Spindle Pulley		1
11	6295796	Nylon Insert Socket Set Screw	1/4"-20x3/8"	8
12	PM2014-112	Headstock		1
13	PM2014-113	Cushion		1
14	JML1014-187	C-Ring	STW-9	1
15	JML1014-188	Spring		1
16	JML1014-189	Index Pin		1
17	BB-6004ZZ	Ball Bearing	6004ZZ	1
18	PM2014-118	Handwheel		1
19	JWL1221VS-240	Motor Pulley		1
20	KF2R5512	Key, Dbl Rd Hd	5x5x12 mm	1
21	3520C-195	Fixed Plate		1
22	JWL1015-172	Clamp	5/16"	1
23	PM2014-123	Motor		1
	PM2014-MF	Motor Fan (not shown)		1
	PM2014-MFC	Motor Fan Cover (not shown)		1
	PM2014-JB	Junction Box (not shown)		1
	PM2014-JBC	Junction Box Cover (not shown)		1
24	PM2014-124	Motor Label		1
25	TS-0720081	Spring Washer	5/16"	1
26	TS-0208071	Socket Head Cap Screw	5/16"-18x1-1/4"	1
27	TS-0680031	Flat Washer	5/16"	1
28	JWL1015-137	Lock Handle	3/8"-16x1"	1
29	3520C-148	Magnet		2
30	F010878	Flat Head Socket Screw	M3-0.5x10	1
31	TS-1482011	Hex Cap Screw	M6-1.0Px10	1
32	PM2014-132	Pulley Access Door (includes #36 & 34)		1
33	PM2014-133	Knob		1
34	3520B-294	Warning Label – Belt Adjustment		1
35	TS-0253031	Socket Head Button Screw	#10-24x1/2"	5
36	PM2014-136	Speed Label		1
37	PM2014-SLA	Spindle Lock Assembly (includes # 38 thru 43)		1
38		Hex Nut	M12-1.75Px6t	1
39		Pin		1
40		Housing		1
41		Link Kit		1
42		Handle		1
43		Pad		1
44	PM2014-144	Seat		1
45	TS-2283302	Pan Hand Screw	M3-0.5x25	1
46	PM2014-146	Plate		1
47	JWL1442-128A	Bolt		1
48	JWL1442-154	Clamp		1
49	TS-0650081	Nylon Nut	3/4"-10	1
51	JWL1640EVS-119	C-Ring	S19	1
52	JWL1442-127	Bushing		1
53	PM2014-153	Eccentric Rod		1
56	JWL1642-134	Tap Screw	1/4"x1/2"	2
57	PM2014-157	Bracket		1
58	PM2014-158	Spindle Encoder PCB Assembly		1

Index No.	Part No.	Description	Size	Qty
59	F010944	Pan Head Machine Screw	M3x20	4
60	JWL1640EVS-125	Sensor for Spindle		1
61	TS-2283102	Pan Head Screw	M3-0.5x10	2
62	TS-081C062	Phillips Pan Head Machine Screw	#10-24x1"	6
63	PM2014-163	Inverter Upper Cover		1
64	JWL1640EVS-163	Inverter Lower Box		1
65	PM2014-165	Inverter, Parameter for PM2014		1
66	TS-081C052	Phillips Pan Head Machine Screw	#10-24x3/4"	1
67	TS-0253031	Socket Head Button Screw	#10-24x1/2"	6
68	TS-0733031	Lock Washer Ext Tooth	#10	1
69	F000648	Phillips Pan Head Machine Screw	#10-24x1/4"	1
70	JWL1440-141	Strain Relief	M16	3
72	SR-6P3	Strain Relief	SR-6P3	3
73	PM2014-173	Power Cable		1
74	JWL1642-169	Breaking Resistor		1
75	TS-0253031	Socket Head Button Screw	#10-24x1/2"	2
76	JWL1221VS-269E	Wrench (includes #77)		1
77	JWL1221VS-270	Rubber Cover		1
78	PM2014-177	Knock Out Rod		1
79	PM2014-179	Grounding Wire		1
80	PM2014-180	Belt	160J-6	1
82	PM2014-182	Set Screw	#10-24x1/2"	1
83	PM2014-183	Motor Cable		1
84	3520C-14110	Signal Cable (Remote switch box to Inverter)		1
85	3520C-181	Signal Cord (Inverter box to Encoder PCB box)		1
86	PM2014-186	Bung		1
87	JML-8	Wave Washer	BWW6203	1
88	4224B-165	Handle		1
89	6295796	Nylon Insert Socket Set Screw	1/4"-20 x 3/8"	1
90	4224B-1124	Warning Label – Faceplate		1
91	PM2014-191	Spindle Lock Label-1		1
92	PM2014-192	Spindle Lock Label-2		1
93	TS-0560071	Hex Nut	#10-24	3
94	TS-0640091	Hex Nut	3/8"-16	1
95	PM2014-195	Remote Control Box Assembly		1
96	JWL1220VS-198	On/Off Switch		1
97	PM2014-197	Wire, Main Switch to Inverter (not shown)		1
98	3520B-282	Bracket		1
99	PM2014-199	O/I Label (not shown)		1
100	PM2014-1100	Dustproof cover for toggle switch (not shown)		1

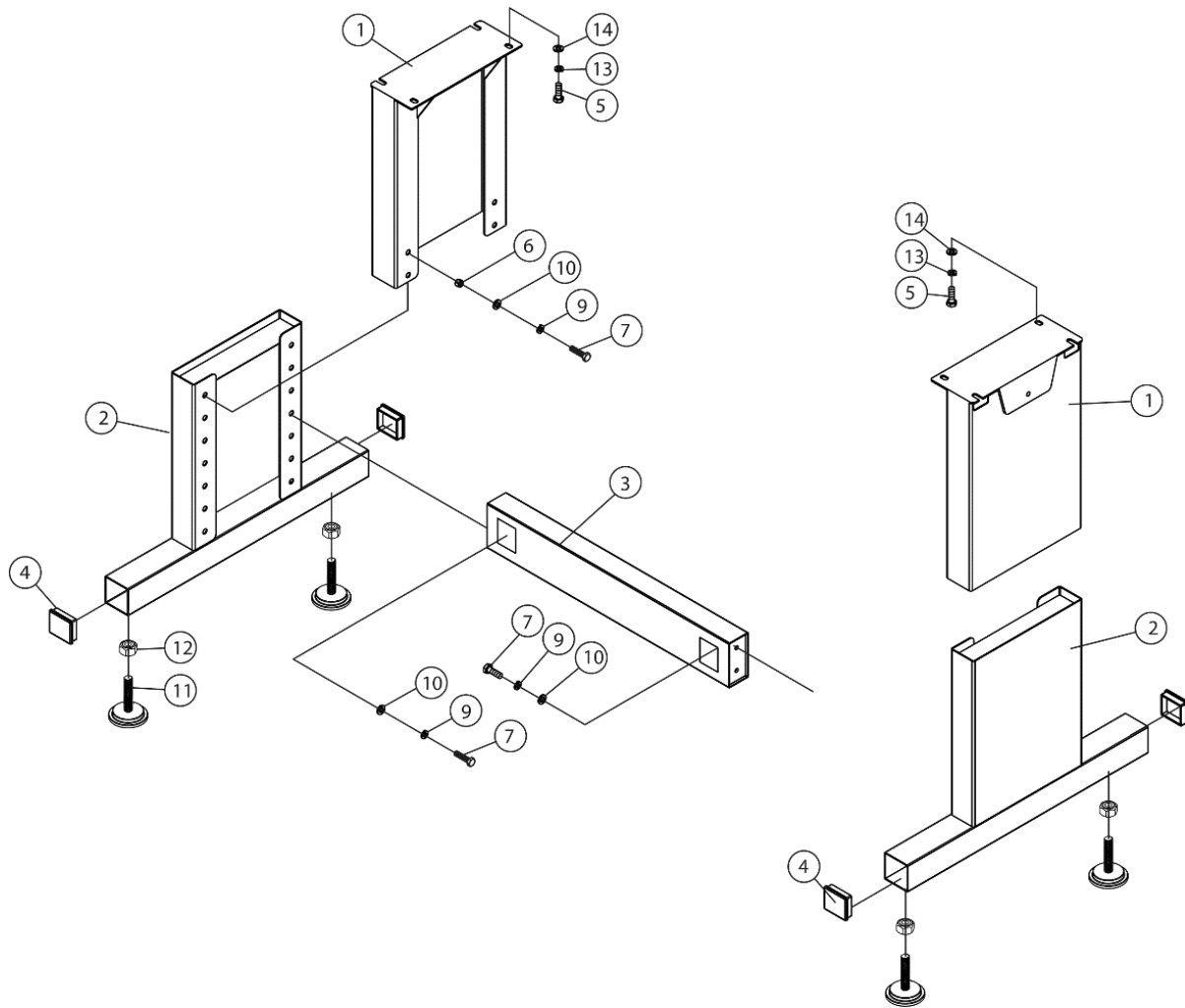
15.2.1 PM2014 Bed, Toolrest and Tailstock Assemblies – Exploded View



15.2.2 PM2014 Bed, Toolrest and Tailstock Assemblies – Parts List

Index No.	Part No.	Description	Size	Qty
1	PWBS14-254SN	Powermatic Nameplate, Small		1
2	PM2014-202	Bed		1
3	PM2014-203	Stud		2
4	PM2014-204	Toolrest	8"	1
	JWL1442-205	Toolrest, Option	12"	1
	PM2014-TBA	Toolrest Base Assembly (item # 5 thru 13, 18)		
5	PM2014-205	Toolrest Base		1
6	JWL1440-206	Handle		1
7	JWL1440-207	Tool Rest Lock Bushing Set		1
8	TS-0570031	Hex Nut	3/8"	1
9	TS-0267021	Set Screw	1/4"-20x1/4"	4
10	JWL1442-128	Clamp Bolt		1
11	JWL1442-154	Clamp		1
12	TS-0650081	Hex Nylon Lock Nut	3/4"-10	1
13	JWL1442-210A	Tool Support Rod		1
14	PM2014-214	Live Center Kit (includes #15 thru 17)		1
15		Cap		1
16		Ball Bearing	6803-2RS	2
17		Shaft		1
18	JWL1440-213	Bushing		1
	PM2014-TA	Tailstock Assembly (item # 20 thru 37)		
20	JWL1440-219	Quill	MT-2	1
21	JWL1440-220	Lead Screw		1
22	PM2014-222	Tailstock		1
23	PM2014-223	Tailstock Handwheel		1
24	PM2014-224	Tailstock Handwheel Handle		1
25	6295796	Set Screw		1
26	6295910	Lock Handle		1
27	3728005	Quill Lock Sleeve		1
28	JWL1221VS-227	Key		1
29	PM2014-229	Socket Head Round Screw	#10-32x3/4"	1
30	PM2014-230	Eccentric Rod, Tailstock		1
31	JWL1442-127	Bushing		1
32	JWL1640EVS-119	C-Ring	S19	1
33	JWL1442-128A	Bolt		1
34	TS-1482021	Hex Cap Screw	M6-1.0Px12	1
35	TS-1540041	Hex Nut	M6	1
36	JWL1442-154	Clamp		1
37	TS-0650081	Nylon Nut	3/4"-10	1
43	PM2014-243	Backer Plate		1
44	PM2014-244	Stripe		2
45	LM000408	I.D Label, PM2014		1
46	LM000409	Warning Label		1
47	TS-0207131	Socket Head Cap Screw	1/4"-20x3/4"	2
48	TS-0680021	Flat Washer	1/4"	2
49	JWL1640EVS-349	Tool Caddy		1
50	TS-0209061	Socket Head Cap Screw	3/8"-16x1-1/4"	2
51	TS-0680041	Flat Washer	3/8"	2

15.4.1 Stand Assembly (Optional Accessory) – Exploded View

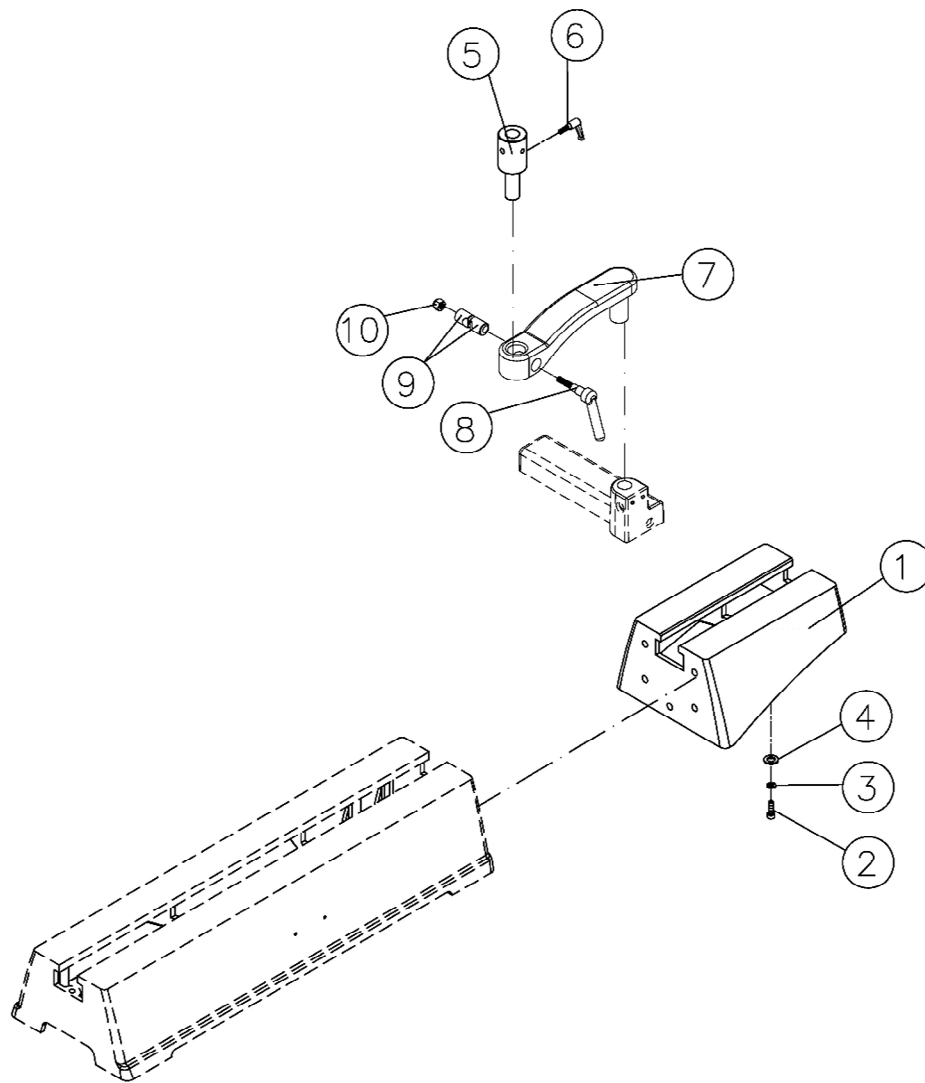


15.4.2 Stand Assembly (Optional Accessory) – Parts List

Index No.	Part No.	Description	Size	Qty
	1792014S	Stand Assembly		1
1	PM2014-401	Upper Bracket		2
2	PM2014-402	Leg		2
3	PM2014-403	Cross Bar		1
4	JWL1221VSS-103	Cover		4
5	TS-0051021	Hex Cap Screw *	5/16"-18x5/8"	8
6		Threaded Insert	3/8"-16	14
7	TS-0060051	Hex Cap Screw *	3/8"-16x1"	12
9	TS-0720091	Lock Washer *	3/8"	12
10	TS-0680042	Flat Washer *	3/8"	12
11	JWL1642-206	Leveler (includes#12)		4
12	TS-0570031	Hex Nut	3/8"-16	4
13	TS-0720081	Lock Washer *	5/16"	8
14	TS-0680031	Flat Washer *	5/16"	14
	1792014S-HP	Hardware package (items with *)		

Some parts are shown for reference only, and may not be available individually.

15.5.1 Optional Bed Extension Assembly – Exploded View



15.5.2 Optional Bed Extension Assembly – Parts List

Index No.	Part No.	Description	Size	Qty
.....	6294755	Bed Extension Assembly (item # 1 thru 6)		1
1	PM2014-301	Bed Extension		1
2	TS-0209071	Socket Head Cap Screw	3/8"-16x1-1/2"	4
3	TS-0720091	Lock Washer	3/8"	4
4	TS-0680042	Flat Washer	3/8"	4
.....	PM2014-ERP	Extension Toolrest Post Kit (item #5, 6)		1
5	PM2014-305	Extension Toolrest Post		1
6	PM2014-306	Locking Handle		1
.....	PM2014-TEA	Toolrest Extension Assembly (item #7 thru 10)		1
7	PM2014-307	Toolrest Extension		1
8	JWL1440-206	Handle		1
9	JWL1440-207	Tool Rest Lock Bushing Set		1
10	TS-0570031	Hex Nut	3/8"	1