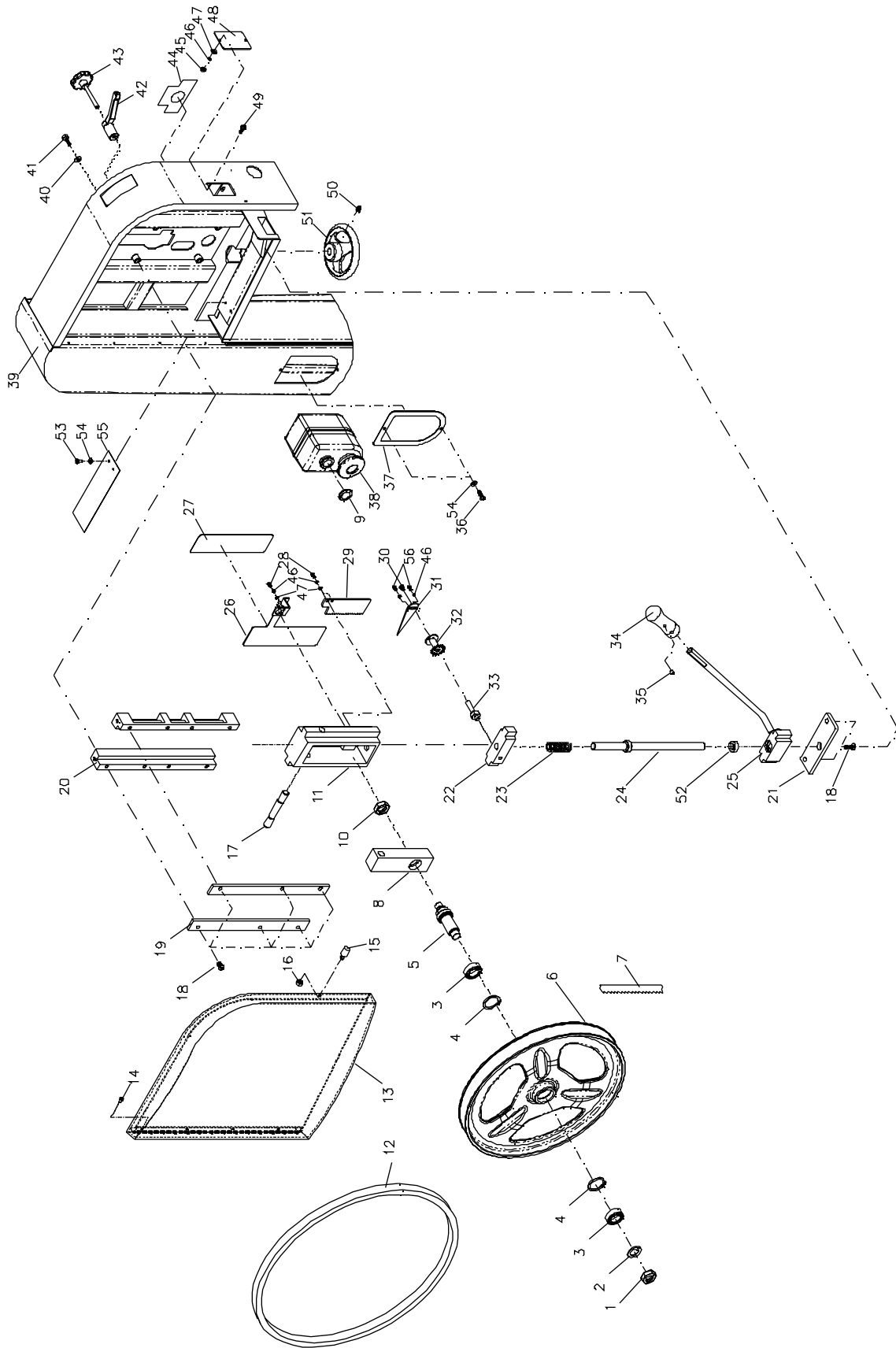


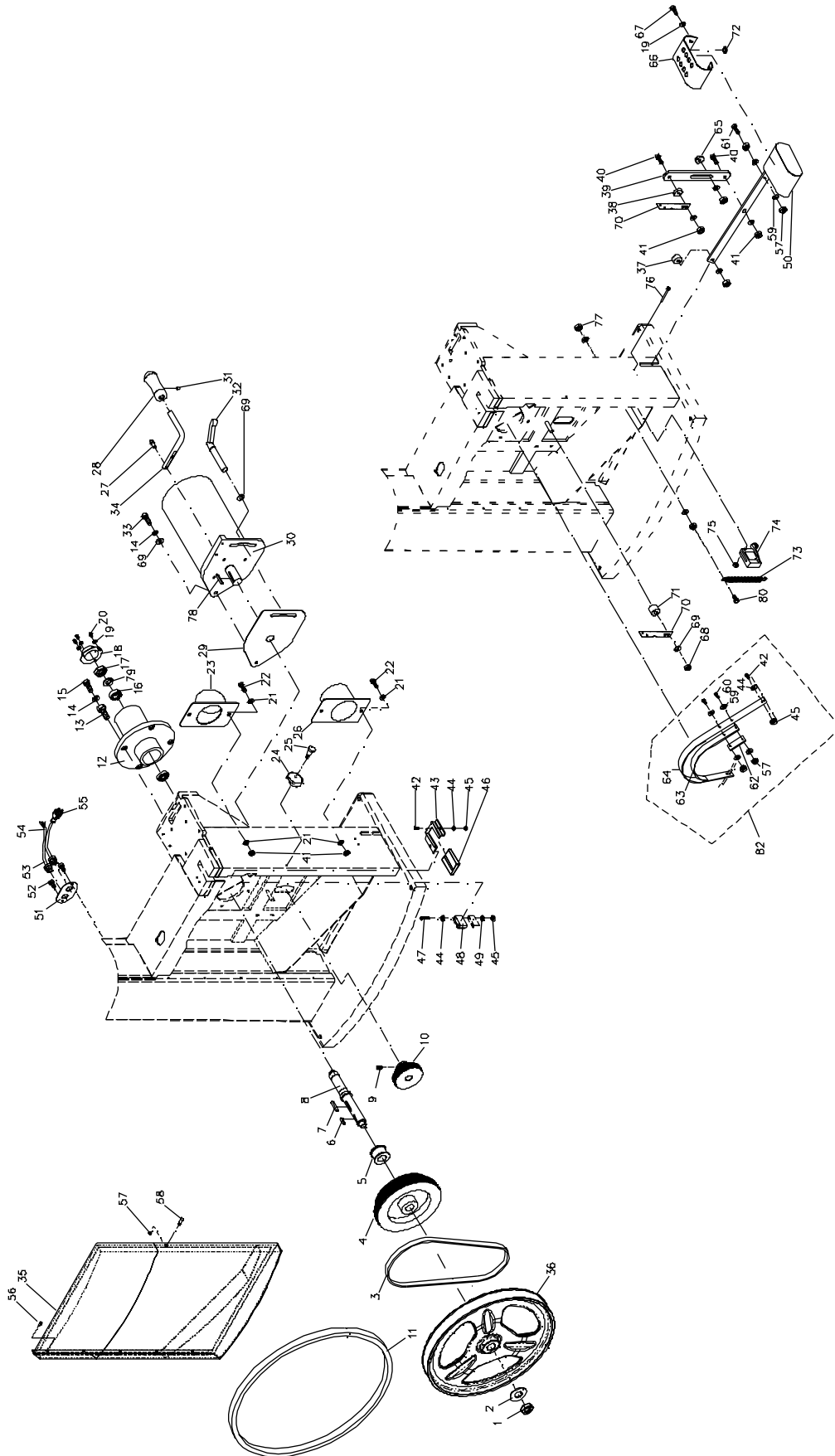
Upper Wheel Assembly – Exploded View



Upper Wheel Assembly – Parts List

Index No.	Part No.	Description	Size	Qty
1	JWBS18-135	Hex Nut	5/8-18UNF, LH	1
2	PM1800-102	Flat Washer		1
3	BB-6204VV	Ball Bearing	6204LLU	2
4	PM1800-104	Retaining Ring	R47	2
5	PM1800-105	Upper Wheel Shaft		1
6	PM1800-106	Upper Wheel		1
7	PM1800-107	Blade		1
8	JWBS20QT-507	Upper Wheel Shaft Bracket		1
9	PM2000-298	Safety Key for Magnetic Switch		1
10	JWBS18-214	Nylon Nut	5/8"-18UNF, RH	1
11	JWBS20QT-510	Upper Wheel Bracket Base		1
12	JWBS18DX-133	Tire		1
13	PM1800-113	Upper Door		1
14	TS-2246122	Socket Head Button Screw	M6x12	4
15	JWBS20-542	Door Stud		1
16	TS-0561011	Hex Nut	1/4-20	1
17	JWBS20QT-511	Bracket Shaft		1
18	PM1800-118	Socket Head Button Screw	3/8-16x3/4	8
19	JWBS20QT-519	Plate		2
20	JWBS20QT-520	Support Bracket		2
21	JWBS20QT-516	Plate		1
22	JWBS20QT-512	Elevator Bracket		1
23	PM1800-123	Spring		1
24	PM1800-124	Adjustment Screw		1
25	PM1800-125	Blade Tension Arm Assembly		1
26	PM1800-126	Tension Gauge Plate		1
27	PM1800-127	Tension Gauge		1
28	TS-0206021	Socket Head Cap Screw	#10-24x1/2	4
29	JWBS20QT-523	Rack		1
30	TS-0254031	Socket Head Button Screw	1/4-20x5/8	1
31	PM1800-131	Tension Pointer		1
32	JWBS20QT-549	Gear Wheel		1
33	JWBS20QT-548	Scale Shaft		1
34	PM1800-134	Handle		1
35	TS-0270031	Socket Set Screw	5/16-18x3/8	2
36	TS-0254021	Socket Head Button Screw	1/4-20x1/2	2
37	JWBS18DXA-152	Switch Plate		1
38	PM1800-138	Magnetic Switch	5HP, 1Ph	1
	PM2000-293B	Magnetic Switch	5HP, 230V, 3Ph	1
	PM2000-293C	Magnetic Switch	5HP, 460V, 3Ph	1
39	PM1800-139	Saw Body		1
40	TS-0680041	Flat Washer	3/8	6
41	TS-0060071	Hex Cap Screw	3/8-16x1-1/2	6
42	PM1800-142	Lock Handle		1
43	PM1800-143	Lock Knob		1
44	PM1800-144	Tension Status Label		1
45	TS-0560071	Hex Nut	#10-24	2
46	TS-0720051	Lock Washer	#10	8
47	TS-0680011	Flat Washer	#10	8
48	JWBS18DX-147	Tracking Window		1
49	TS-0810012	Round Head Slotted Machine Screw	#10-24x1/4	2
50	TS-0270051	Socket Set Screw	5/16-18x1/2	2
51	PM1800-151	Handwheel		1
52	JWBS20QT-515	Thrust Bearing		1
53	PM1800-153	Socket Head Cap Screw	1/4-20x1/4	2
54	TS-0680021	Flat Washer	1/4	4
55	PM1800-155	Sliding Plate		1
56	TS-081C022	Phillips Pan Head Machine Screw	#10-24x3/8	2

Lower Wheel and Motor Assembly – Exploded View

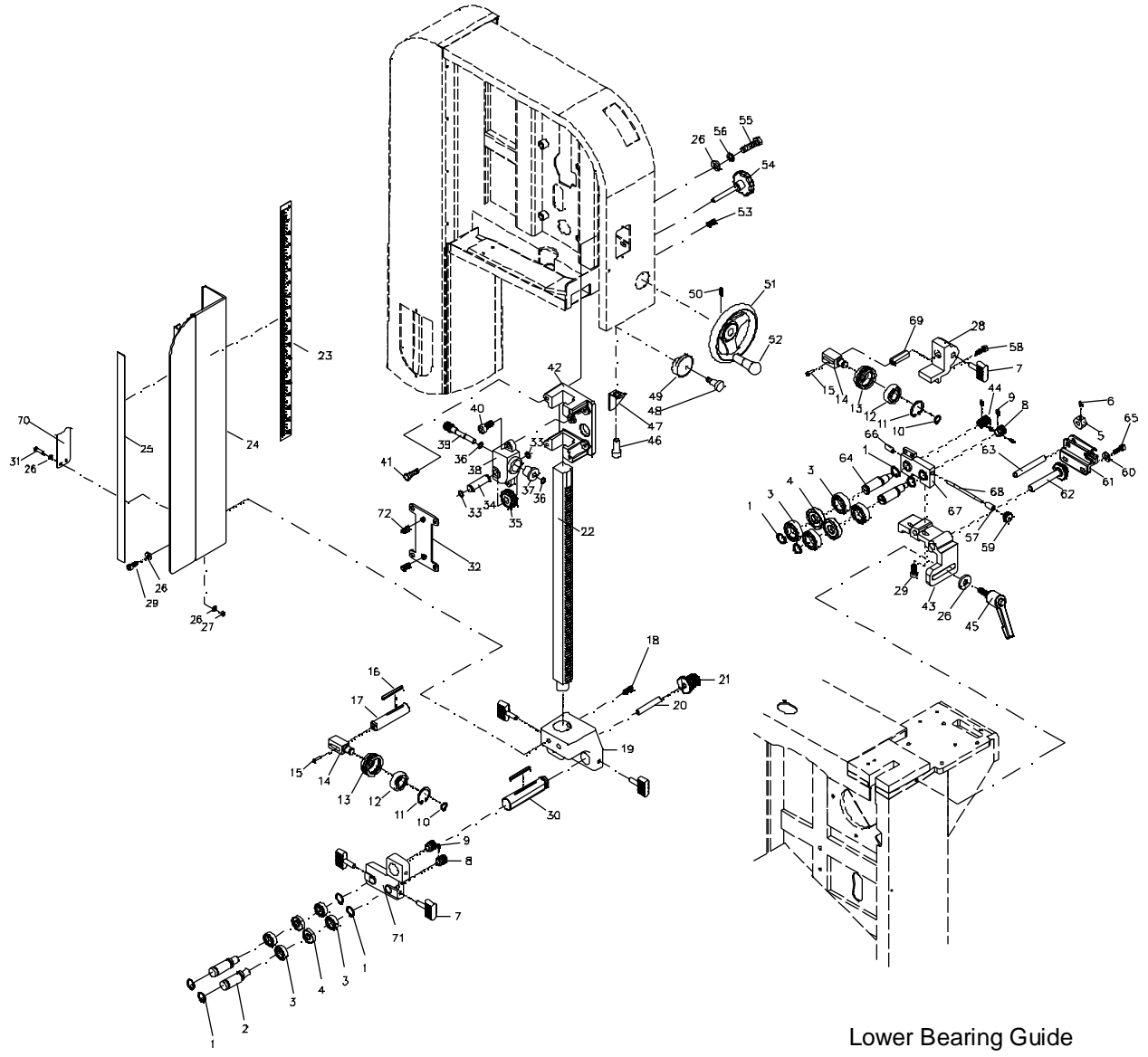


Lower Wheel and Motor Assembly – Parts List

Index No.	Part No.	Description	Size	Qty
1	JWBS20-22	Hex Nut	3/4-16 UNF LH	1
2	TS-0680091	Flat Washer	3/4	1
3	PM1800-201	Poly-V Belt	370J	1
4	PM1800-204	Spindle Pulley		1
5	PM1800-205	Brake Wheel		1
6	JWBS20-49	Key	7x7x25	1
7	PM1800-207	Key	7x7x70	1
8	PM1800-208	Lower Shaft		1
9	TS-0270051	Socket Set Screw	5/16-18x1/2	2
10	PM1800-210	Motor Pulley		1
11	JWBS18DX-133	Tire		1
12	JWBS20-201	Bearing Base		1
13	JWBS20-62	Adjusting Bolt		4
14	TS-0720091	Lock Washer	3/8	5
15	TS-0060071	Hex Cap Screw	3/8-16x1-1/2	4
16	BB-6206VV	Ball Bearing	6206LLU	2
17	JWBS20-214	Nylon Lock Hex Nut	3/4-16 UNF RH	1
18	JWBS20-215	Bearing Cover		1
19	TS-0720071	Lock Washer	1/4	4
20	JWBS20-217	Hex Cap Screw	1/4-20x3/8	3
21	TS-0680031	Flat Washer	5/16	4
22	TS-0081031	Hex Cap Screw	5/16-18x3/4	4
23	PM1800-223	Dust Chute		1
24	PM1800-224	Lock Knob		1
25	TS-081C052	Phillips Pan Head Machine Screw	#10-24x3/4	1
26	PM1800-226	Lower Dust Chute		1
27	PM1800-227	Socket Head Button Screw	5/16-18x1	2
28	PM1800-134	Handle		1
29	PM1800-229	Motor Protector Plate		1
30	PM1800-230	Motor (includes #PM1800-229)	1Ph	1
	JWBS20QT-218MF	Motor Fan (not shown)	5HP	1
	JWBS20QT-218MFC	Motor Fan Cover (not shown)	5HP	1
	PM1800-230SC	Starting Capacitor (not shown)	400MFD, 250VAC	1
	JWBS20QT-218RC	Running Capacitor (not shown)	50µf, 450VAC	1
	JWBS20QT-218CC	Capacitor Cover (not shown)		1
	JWBS20QT-218JB	Junction Box (not shown)		1
	VBS18MW-218JBC	Junction Box Cover (not shown)		1
	JWBS20QT-218CS	Centrifugal Switch (not shown)		1
	PM1800-230A	Motor (includes #PM1800-229)	3Ph	1
31	TS-0270031	Socket Set Screw	5/16-18x3/8	2
32	PM1800-232	Lock Handle		1
33	TS-0060051	Hex Cap Screw	3/8-16x1	1
34	PM1800-234	Motor Handle		1
35	PM1800-235	Lower Front Door		1
36	PM1800-236	Lower Wheel		1
37	PM1800-237	Bushing		1
38	PM1800-238	Bushing		1
39	PM1800-239	Brake Locking Bracket		1
40	TS-0090061	Hex Cap Screw	3/8-16x1-1/4	2
41	PM1800-241	Nylon Lock Hex Nut	3/8-16	4
42	TS-081C032	Phillips Pan Head Machine Screw	#10-24x1/2	6
43	PM1800-243	Shelf		1
44	TS-0680011	Flat Washer	#10	10
45	TS-0560071	Hex Nut	#10-24	8
46	JWBS18DX-249	Insert Block		1
47	TS-081C082	Phillips Pan Head Machine Screw	#10-24x1-1/2	2
48	JWBS18-240	Brush		1

Index No.	Part No.	Description	Size	Qty
49	TS-0720051	Lock Washer	#10	2
50	PM1800-250	Foot Brake		1
51	PM1800-251	Plate		1
52	TS-081C022	Phillips Pan Head Machine Screw	#10-24x3/8	2
53	PM1800-253	Strain Relief		2
54	PM1800-254	Motor Cord		1
55	JWBS20QT-244	Power Cord	1Ph	1
	PM1800-255A	Power Cord	3Ph	1
56	TS-2246122	Socket Head Button Screw	M6x12	5
57	TS-0561011	Hex Nut	1/4-20	5
58	JWBS20-542	Door Stud		1
59	TS-0680021	Flat Washer	1/4	10
60	TS-0050021	Hex Cap Screw	1/4-20x5/8	2
61	TS-0010061	Hex Cap Screw	1/4-20x1-1/4	1
62	JWBS24-81A	Plate		2
63	PM1800-263	Brake Belt		1
64	PM1800-264	Brake Band		1
65	PM1800-265	Bushing		1
66	PM1800-266	Foot Brake Cover		1
67	TS-0050011	Hex Cap Screw	1/4-20x1/2	4
68	TS-0640091	Nylon Lock Hex Nut	3/8-16	4
69	TS-0680041	Flat Washer	3/8	9
70	PM1800-270	Brake Locking Bracket		2
71	PM1800-271	Bushing		1
72	PM1800-272	Rubber Block		8
73	JWBS20-84	Spring		1
74	JWBS20-88	Limit Switch		1
75	TS-1540021	Hex Nut	M4	2
76	TS-2284302	Phillips Pan Head Machine Screw	M4x30	2
77	TS-0561031	Hex Nut	3/8-16	2
78	PM1800-278	Key	7x7x60	1
79	TS-0680091	Flat Washer	3/4	1
80	TS-0051071	Hex Cap Screw	5/16-18x1-1/2	1
81	PM1800-281	Wire for Limit Switch (not shown)		1
82	PM1800-BA	Brake Assembly (index # 42,44,45,57,59,60,62,63,64)		1

Blade Guide Assembly – Exploded View



Upper Bearing Guide

Lower Bearing Guide

Blade Guide Assembly – Parts List

Index No.	Part No.	Description	Size	Qty
1	JWBS20-326	C-Ring	S15	8
2	JWBS20-329	Upper Shaft		2
3	BB-6202ZZ	Ball Bearing	6202zz	8
4	JWBS20-328	Spacer		4
5	JWBS18DX-363	Nut		1
6	TS-0267021	Socket Set Screw	1/4-20x1/4	1
7	PM1800-307	Locking Screw		5
8	JWBS20-349	Thumb Knob		3
9	TS-1521011	Socket Set Screw	M4x4	8
10	PM1800-310	C-Ring	S-10	2
11	PM1800-311	Retaining Ring	R-26	2
12	BB-6000ZZ	Ball Bearing	6000ZZ	2
13	PM1800-313	Bearing Holder		2
14	PM1800-314	Bearing Support		2
15	TS-2245202	Socket Head Button Screw	M5x20	2
16	PM1800-316	Key	5x5x40	2
17	PM1800-317	Bearing Support Shaft		1
18	TS-0270051	Socket Set Screw	5/16-18x1/2	2
19	PM1800-319	Guide Bar Bracket		1
20	TS-0270131	Socket Set Screw	5/16-18x2	1
21	6295297	Adjustment Knob		1
22	PM1800-322	Bar		1
23	PM1800-323	Scale		1
24	PM1800-324	Blade Guard		1
25	PM1800-325	Magnet		1
26	TS-0680031	Flat Washer	5/16	11
27	TS-0561021	Hex Nut	5/16-18	2
28	JWBS20-360	Bracket		1
29	TS-0208031	Socket Head Cap Screw	5/16-18x5/8	2
30	PM1800-330	Shaft		1
31	TS-0255031	Socket Head Button Screw	5/16-18x5/8	4
32	PM1800-332	Plate		1
33	JWBS18-309	C-Ring	R12	2
34	JWBS18-310	Shaft		1
35	JWBS18-311	Gear		1
36	JWBS18-306	E-Ring	E-8	2
37	JWBS18-308	Bushing		1
38	JWBS18-307	Gear Base		1
39	JWBS18-305	Worm		1
40	TS-0208071	Socket Head Cap Screw	5/16-18x1-1/4	2
41	TS-0255021	Socket Head Button Screw	5/16-18x1/2	4
42	JWBS18DX-304	Guide Bar Bracket		1
43	JWBS18DX-338	Base		1
44	PM1800-344	Thumb Knob		1
45	PM1800-345	Lock Handle		1
46	TS-0207021	Socket Head Cap Screw	1/4-20x1/2	1
47	PM1800-347	Pointer		1
48	TS-081F052	Phillips Pan Head Machine Screw	1/4-20x3/4	1
49	PM1800-224	Lock Knob		1
50	TS-0267041	Socket Set Screw	1/4-20x3/8	2
51	PM1800-351	Handwheel		1
52	3520B-126	Handle		1
53	TS-0270031	Socket Set Screw	5/16-18x3/8	2
54	PM1800-354	Lock Knob		1
55	TS-0051051	Hex Head Bolt	5/16-18x1	4
56	TS-0720081	Lock Washer	5/16	4
57	JWBS20-355	Lock Bushing		1

Index No.	Part No.	Description	Size	Qty
58	TS-0207021	Socket Head Cap Screw	1/4-20x1/2	2
59	PM1800-359	Knob		1
60	TS-0680021	Flat Washer	1/4	2
61	JWBS18DX-362	Adjusting Bracket		1
62	JWBS18DX-361	Adjusting Screw		1
63	JWBS18DX-360	Shaft		1
64	PM1800-364	Lower Shaft		2
65	TS-0207041	Socket Head Cap Screw	1/4-20X3/4	2
66	JWBS20-339	Threaded Lock Bushing		1
67	JWBS18DX-337	Bracket		1
68	JWBS20-340	Bolt		1
69	PM1800-369	Bearing Support Shaft		1
70	PM1800-370	Sliding Plate		1
71	PM1800-371	Upper Guide Bracket		1
72	TS-0267021	Socket Set Screw	1/4-20x1/4	2

Table and Fence Assembly – Exploded View

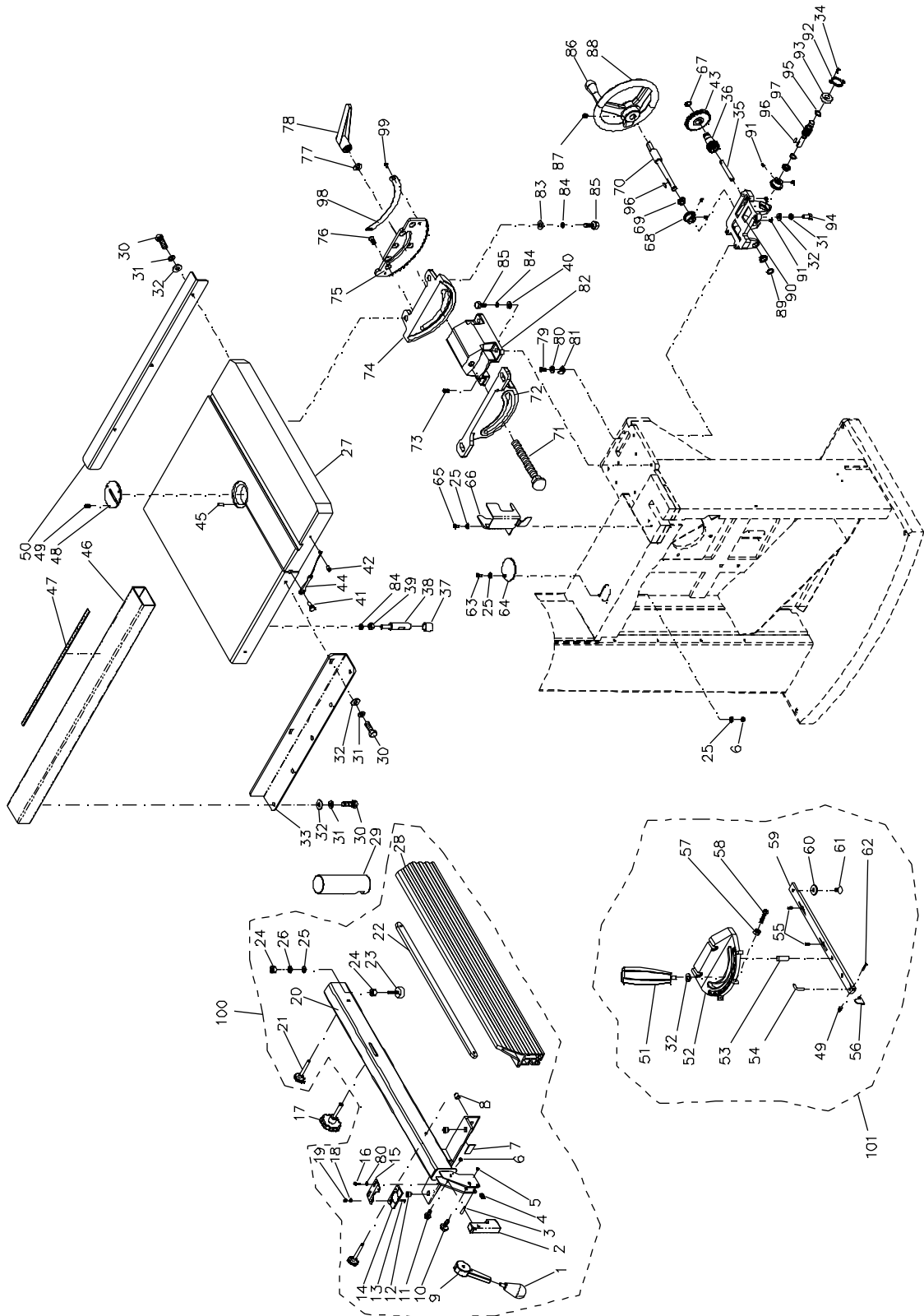


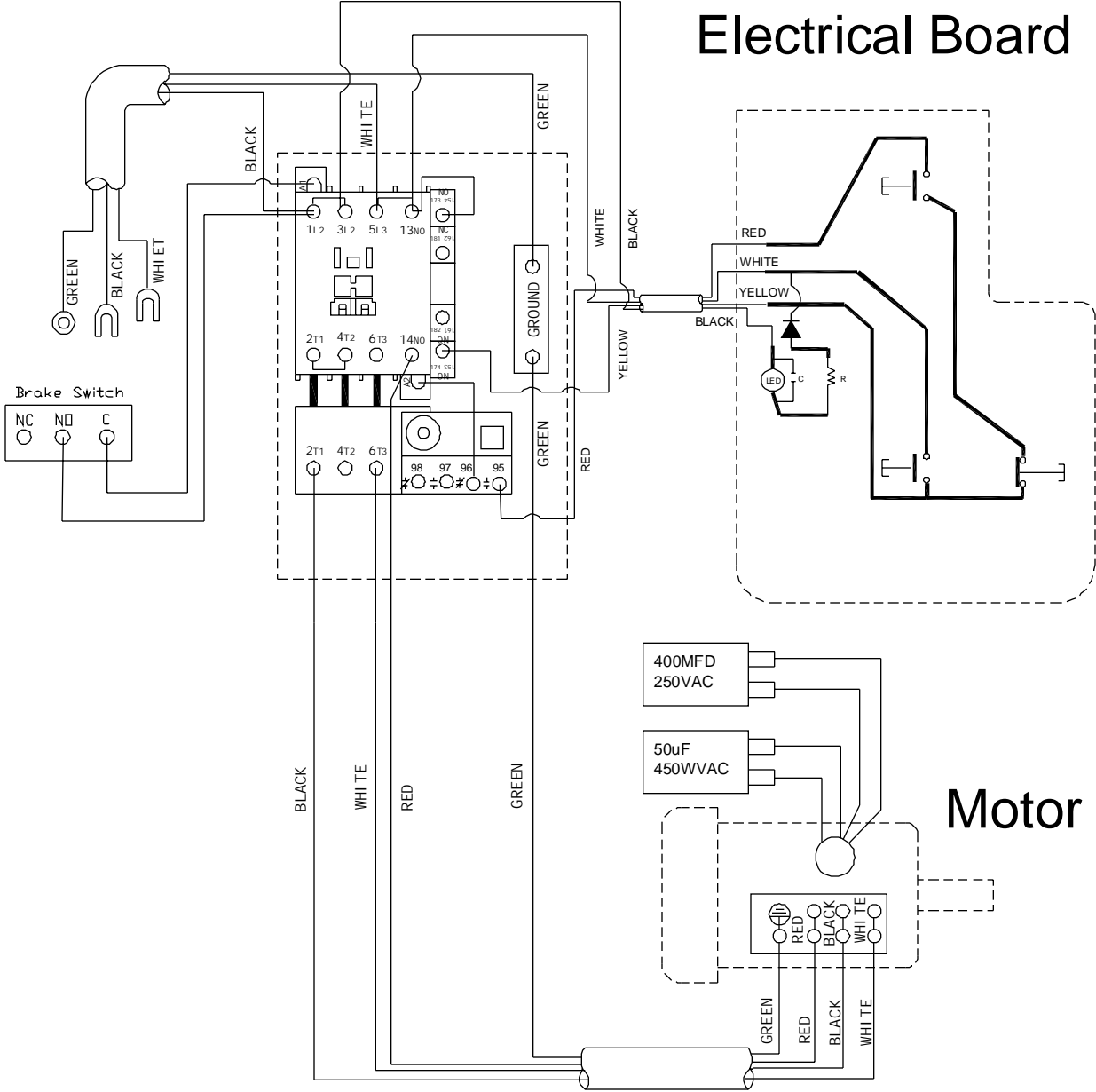
Table and Fence Assembly – Parts List

Index No.	Part No.	Description	Size	Qty
1	6430055	Handle		1
2	3215301	Lock Plate		1
3	6626031	Spring Pin		1
4	6813042	Spring		1
5	TS-0640081	Nylon Lock Hex Nut	5/16-18	1
6	TS-0640071	Nylon Lock Hex Nut	1/4-20	2
7	3575080	Pad		2
8	TS-0271031	Socket Set Screw	3/8-16x3/8	2
9	3076232	Lock Handle		1
10	TS-0152031	Carriage Bolt	5/16-18x1-1/2	1
11	PM1800-411	Socket Head Button Screw	1/4-20x1-1/4	1
12	XF-5	Nylon Adjustment Screw		2
13	TS-081D021	Phillips Flat Head Machine Screw	#10-32x3/8	2
14	800708950D	Cursor		1
15	800708950C	Cursor Bracket		1
16	TS-081D022	Phillips Pan Head Machine Screw	#10-32x3/8	2
17	PM1800-417	Resaw Pin Lock Knob		1
18	TS-0720051	Lock Washer	#10	2
19	TS-0560081	Hex Nut	#10-32	2
20	PM1800-420	Fence Body		1
21	PM1800-421	Knob		2
22	PM1800-422	Lock Bar		1
23	6295181	Sliding Pad		1
24	TS-0561011	Hex Nut	1/4-20	2
25	TS-0680021	Flat Washer	1/4	5
26	TS-0720071	Lock Washer	1/4	1
27	PM1800-427A	Table (for serial no. 081218000016 and higher)		1
	PM1800-427	Table (for serial no. 081218000015 and lower)		1
28	PM1800-428	Aluminum Resaw Fence		1
29	PM1800-429	Resaw Pin		1
30	TS-0081031	Hex Cap Screw	5/16-18x3/4	10
31	TS-0733051	Lock Washer	5/16	14
32	TS-0680031	Flat Washer	5/16	15
33	PM1800-433	Front Rail		1
34	TS-081C022	Phillips Pan Head Machine Screw	#10-24x3/8	2
35	PM1800-435	Shaft		1
36	PM1800-436	Worm		1
37	PM1800-437	Sheath		1
38	PM1800-438	Stop Bolt		1
39	TS-0561031	Hex Nut	3/8-16	1
40	TS-0680041	Flat Washer	3/8	4
41	PM1800-441	Taper Pin		1
42	TS-2246122	Socket Head Button Screw	M6x12	1
43	PM1800-443	Gear		1
44	PM1800-444	Wrench Assembly		1
45	PM1800-445	Spring Pin	3x10	1
46	PM1800-446	Guide Rail		1
47	6295184	Scale		1
48	PM1800-448	Table Insert		1
49	TS-1521011	Socket Set Screw	M4x4	3
50	PM1800-450	Rear Rail		1
	PM1800-MGA	Miter Gauge Assembly (Item 32, 49, 51 thru 62)		1
51	PM1800-451	Handle		1
52	6295167	Miter Gauge Body		1
53	6295168	Pin		1
54	6295169	Pointer		1
55	PM1800-455	Socket Set Screw	M8x6	2

Index No.	Part No.	Description	Size	Qty
56	6295171	Stop Block		1
57	TS-1540031	Hex Nut	M5	3
58	TS-1533062	Screw	M5x20	3
59	PM1800-459	Miter Bar		1
60	6295163	Guide Disc		1
61	PM1800-461	Flat Head Screw	M6x9	1
62	PM1800-462	Pin	3x6	1
63	TS-0254031	Socket Head Button Screw	1/4-20x5/8	1
64	PM1800-464	Plate		1
65	TS-0254021	Socket Head Button Screw	1/4-20x1/2	2
66	PM1800-466	Lower Blade Guard		1
67	PM1800-467	C-Ring	S17	1
68	2013-270	Bevel Gear		2
69	2013-275	Bushing		3
70	PM1800-470	Shaft		1
71	PM1800-471	Carriage Bolt		1
72	PM1800-472	Front Trunnion		1
73	TS-0270061	Socket Set Screw	5/16-18x5/8	4
74	2013-259	Rear Trunnion		1
75	PM1800-475	Angle Scale Plate		1
76	TS-0246031	Flat Head Screw	5/16-18x3/4	6
77	TS-0680061	Flat Washer	1/2	1
78	6295158	Lock Handle		1
79	TS-081C022	Hex Cap Screw	#10-24x3/8	1
80	TS-0680011	Flat Washer	#10	1
81	6295155	Pointer		1
82	2013-203	Table Bracket		1
83	TS-0680041	Flat Washer	3/8	4
84	TS-0720091	Lock Washer	3/8	8
85	TS-0060051	Hex Head Bolt	3/8-16x1	8
86	3520B-126	Handle		1
87	TS-0270051	Socket Set Screw	5/16-18x1/2	2
88	PM1800-488	Handwheel		1
89	PM1800-489	C-Ring	S12	2
90	PM1800-490	Gear Bracket		1
91	TS-0267021	Socket Set Screw	1/4-20x1/4	6
92	2013-265	Bearing Cover		1
93	BB-6002ZZ	Ball Bearing	6002ZZ	1
94	TS-0208071	Socket Head Cap Screw	5/16-18x1-1/4	4
95	2013-267	C-Ring	S15	1
96	2013-284	Key	3x3x8	2
97	PM1800-497	Worm Shaft		1
98	PM1800-498	Scale		1
99	TS-0810012	Slotted Round Head Machine Screw	#10-24x1/4	2
100	PM1800-FA	Fence Assembly (index # 1 thru 26, 28, and 80)		1
101	PM1800-MGA	Miter Gauge Assembly (index # 32, 49, and 51 thru 62)		1

Electrical Connections – 5HP 1PH 230V

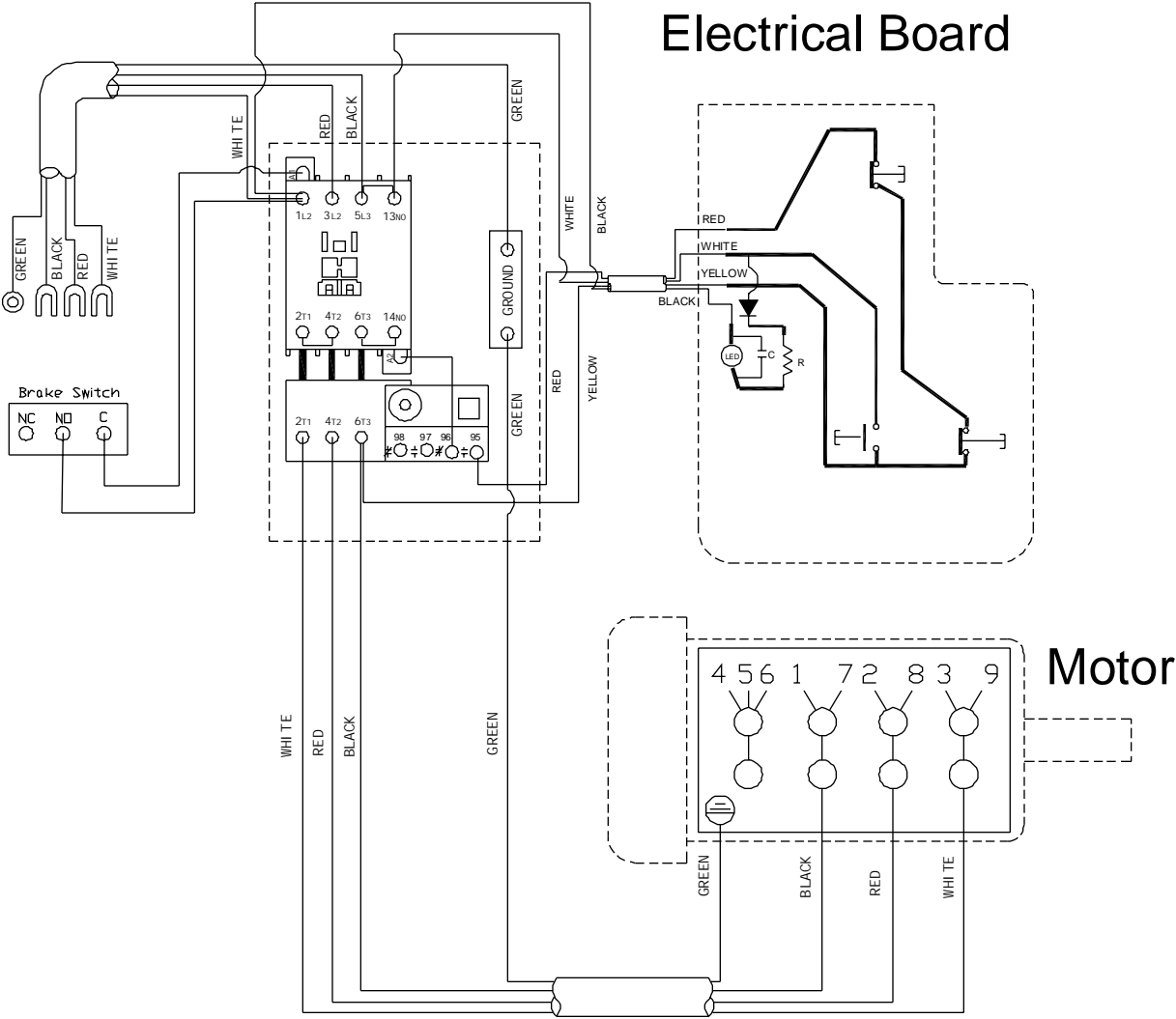
Magnetic Switch



Electrical Connections – 5HP 3PH 230V

Magnetic Switch

Electrical Board



Electrical Connections – 5HP 3PH 460V

