

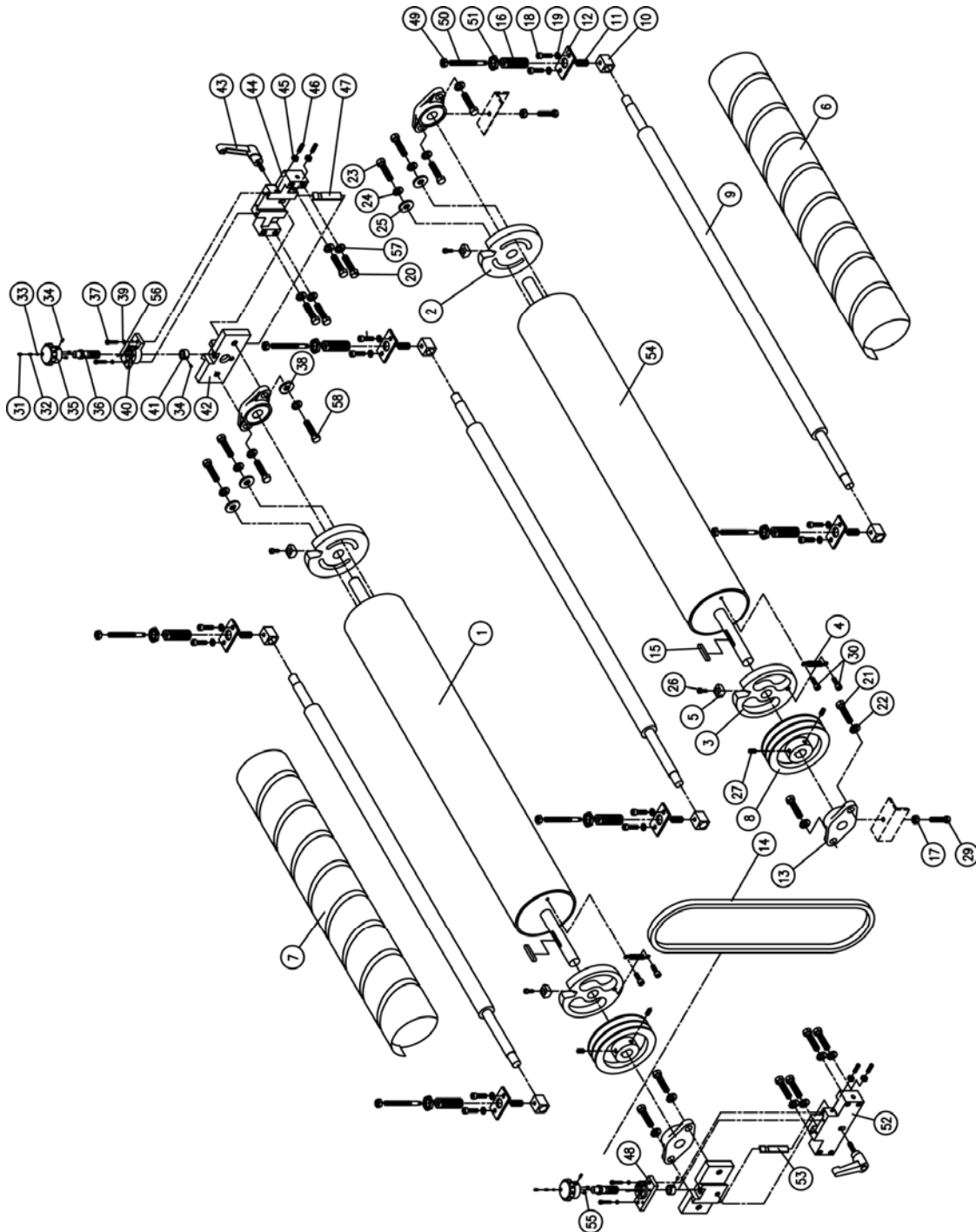
# Parts – DDS-237 Sander

## Drum Assembly – DDS-237

Index No.	Part No.	Description	Size	Qty
1	DDS237-101B	Rear Drum ( <i>serial no. 1008DDS2370150 and higher.</i> )		1
2	DDS225-102A	Abrasive Fastener-Right ( <i>serial no. 1008DDS2370150 and higher.</i> )		2
3	DDS225-103A	Abrasive Fastener-Left ( <i>serial no. 1008DDS2370150 and higher.</i> )		2
4	DDS225-104	Spring		2
5	DDS225-105	Locking Wedge		4
6		Abrasive (80 Grit) – see <i>Optional Accessories</i> on page 39.		1
7		Abrasive (100 Grit) – see <i>Optional Accessories</i> on page 39.		1
8	DDS225-108	Pulley		2
9	DDS237-109	Tension Roller		3
10	DDS225-110	Bushing		6
11	DDS225-111	Spring		6
12	DDS225-112	Bracket		6
13	DDS225-113	Bearing Assembly	UCFL205	4
14	VB-B70	Belt	B-70	2
15	DDS225-115	Key	8 x 7 x 50	2
16	DDS225-116	Adjusting Bushing		6
17	TS-0561031	Hex Nut	3/8-16	2
18	TS-0208031	Socket Head Cap Screw	5/16-18 x 5/8	12
19	TS-0720081	Lock Washer	5/16	12
20	TS-0060061	Hex Cap Screw	3/8-16 x 1-1/4	8
21	TS-0100041	Hex Cap Screw	1/2-13 x 1-1/4	4
22	TS-0720111	Lock Washer	1/2	8
23	TS-0060081	Hex Cap Screw	3/8-16 x 1-3/4	4
24	TS-0720091	Lock Washer	3/8	4
25	TS-1550071	Flat Washer	M10	4
26	TS-0207061	Socket Head Cap Screw	1/4-20 x 1	4
27	TS-0270051	Socket Set Screw	5/16-18 x 1/2	4
29	TS-0060051	Hex Cap Screw	3/8-16 x 1	2
30	TS-0208021	Socket Head Cap Screw	5/16-18 x 1/2	4
31	TS-0270051	Socket Set Screw	5/16-18 x 1/2	2
32	DDS225-132	Spring		2
33	DDS225-133	Steel Ball	Ø1/4	2
34	TS-0267021	Socket Set Screw	1/4-20 x 1/4	4
35	DDS225-135	Adjusting Knob		2
36	DDS225-136	Lead Screw		2
37	TS-0207041	Socket Head Cap Screw	1/4-20 x 3/4	4
38	TS-0680061	Flat Washer	1/2	4
39	TS-0720071	Lock Washer	1/4	4
40	DDS225-140	Top Cover-Right		1
41	DDS225-141	Collar		2
42	DDS225-142	Slide		2
43	DDS225-143	Locking Lever		2
44	DDS225-144	Slide Bracket-Right		1
45	TS-0561011	Hex Nut	1/4-20	4
46	TS-0267091	Socket Set Screw	1/4-20 x 1	4
47	DDS225-147	Gib-Right		1
48	DDS225-148	Top Cover-Left		1
49	TS-1541041	Nylon Insert Lock Nut	M10	6
50	DDS225-150	Adjusting Screw		6
51	DDS225-151	Hex Nut	M22 x 1.5P x 5T	6
52	DDS225-152	Slide Bracket-Left		1
53	DDS225-153	Gib-Left		1

## Drum Assembly – DDS-237

Index No.	Part No.	Description	Size	Qty
54	DDS237-154B	Front Drum (serial no. 1008DDS2370150 and higher)		1
55	TS-1521041	Socket Set Screw	M4 x 10	4
56	DDS225-156	Roll Pin	Ø2 x 8mm	2
57	TS-0720091	Lock Washer	3/8	8
58	TS-0100041	Hex Cap Screw	1/2-13x 1-1/4	4

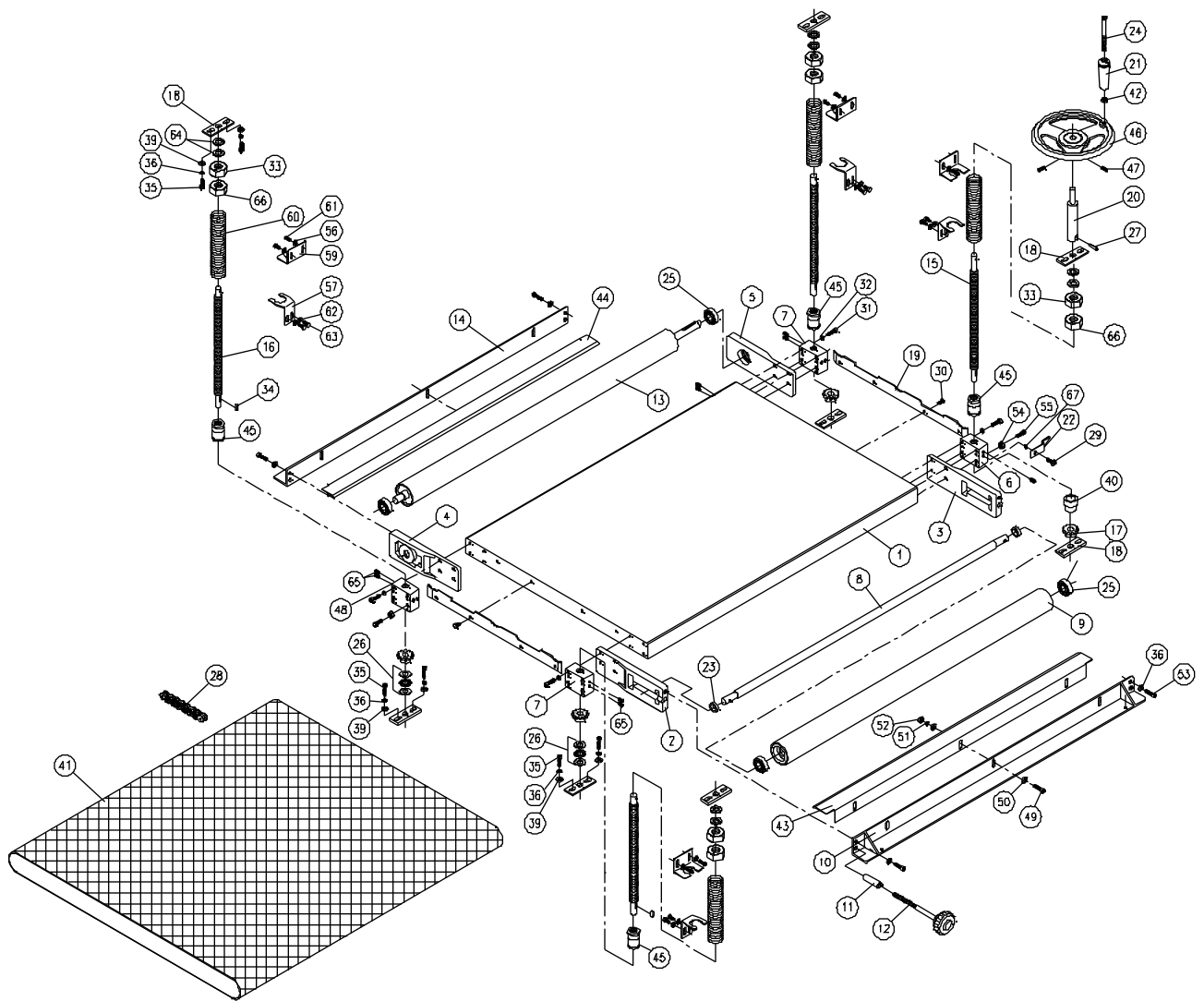


## Conveyor Assembly – DDS-237

Index No.	Part No.	Description	Size	Qty
1	DDS237-201	Table		1
2	DDS225-202	Support Bracket, Left-Front		1
3	DDS225-203	Support Bracket, Right-Front		1
4	DDS225-204	Support Bracket, Left-Rear		1
5	DDS225-205	Support Bracket, Right-Rear		1
6	DDS225-206B	Leadscrew Holder, Right-Front		1
7	DDS225-207B	Leadscrew Holder, Left-Front and Right-Rear		2
8	DDS237-208	Rod		1
9	DDS237-209	Front Roller		1
10	DDS237-210	Front Support Plate		1
11	DDS225-211	Collar		2
12	DDS225-212	Adjusting Knob		2
13	DDS237-213	Rear Roller		1
14	DDS237-214	Rear Support Plate		1
15	DDS225-215A	Drive Leadscrew		1
16	DDS225-216A	Driven Leadscrew		3
17	DDS225-217	Sprocket		4
18	DDS225-218	Support Bracket		8
19	DDS225-219	Guide Plate		2
20	DDS225-220	Post		1
21	DDS225-221	Handle		1
22	DDS225-222	Pointer		1
23	DDS225-223	Collar		2
24	DDS225-224	Bolt		1
25	BB-6203ZZ	Ball Bearing	6203ZZ	4
26	DDS225-226	Thrust Bearing		4
27	DDS225-227	Roll Pin	Ø6 x 25mm	1
28	DDS237-228	Chain		1
29	TS-0813022	Round Head Machine Screw	1/4-20 x 3/8	1
30	TS-0050011	Hex Cap Screw	1/4-20 x 1/2	8
31	TS-0207111	Socket Head Cap Screw	1/4-20 x 2-1/4	16
32	TS-0720071	Lock Washer	1/4	24
33	DDS225-233A	Hex Nut	7/8-9	4
34	DDS225-234	Key	5 x 5 x 18mm	4
35	TS-0208041	Socket Head Cap Screw	5/16-18 x 3/4	16
36	TS-0720081	Lock Washer	5/16	24
39	TS-1550061	Flat Washer	M8	16
40	DDS225-240	Bushing		1
41	DDS237-241	Conveyor		1
42	TS-0561031	Hex Nut	3/8-16	1
43	DDS237-243	Front Cover		1
44	DDS237-244	Rear Cover		1
45	DDS225-245B	Threaded Bushing		4
46	DDS225-246	Hand Wheel		1
47	TS-0270051	Socket Set Screw	5/16-18 x 1/2	2
48	DDS225-248B	Leadscrew Holder, Left-Rear		1
49	TS-0208041	Socket Head Cap Screw	5/16-18 x 3/4	6
50	TS-0680031	Flat Washer	5/16	12
51	TS-0720081	Lock Washer	5/16	6
52	TS-0561021	Hex Nut	5/16-18	6
53	TS-0208021	Socket Head Cap Screw	5/16-18 x 1/2	8
54	TS-0561011	Hex Nut	1/4-20	8
55	TS-0050081	Hex Cap Screw	1/4-20 x 1-3/4	8
56	TS-0680011	Flat Washer	3/16	8
57	DDS237-257	Lower Bracket		4

# Conveyor Assembly – DDS-237

Index No.	Part No.	Description	Size	Qty
59	DDS237-259	Upper Bracket		4
60	DDS237-260	Boot		4
61	TS-081C022	Screw	#10-24 x 3/8	8
62	TS-0680021	Flat Washer	1/4	8
63	DDS225-336	Hex Head Screw	1/4-20 x 3/8	8
64	DDS225-260	Nylon Washer		8
65	TS-0267071	Set Screw	1/4-20 x 3/4	7
66	DDS225-262	Special Nut	7/8-9	4
67	TS-0267021	Socket Set Screw	1/4-20 x 1/4	1
	DDS237-SBR	Screw and Boot Replacement Kit (includes # 6, 7, 15, 16, 26, 33, 40, 45, 48, 56 thru 67)		



## Motor and Cabinet Assembly – DDS-237

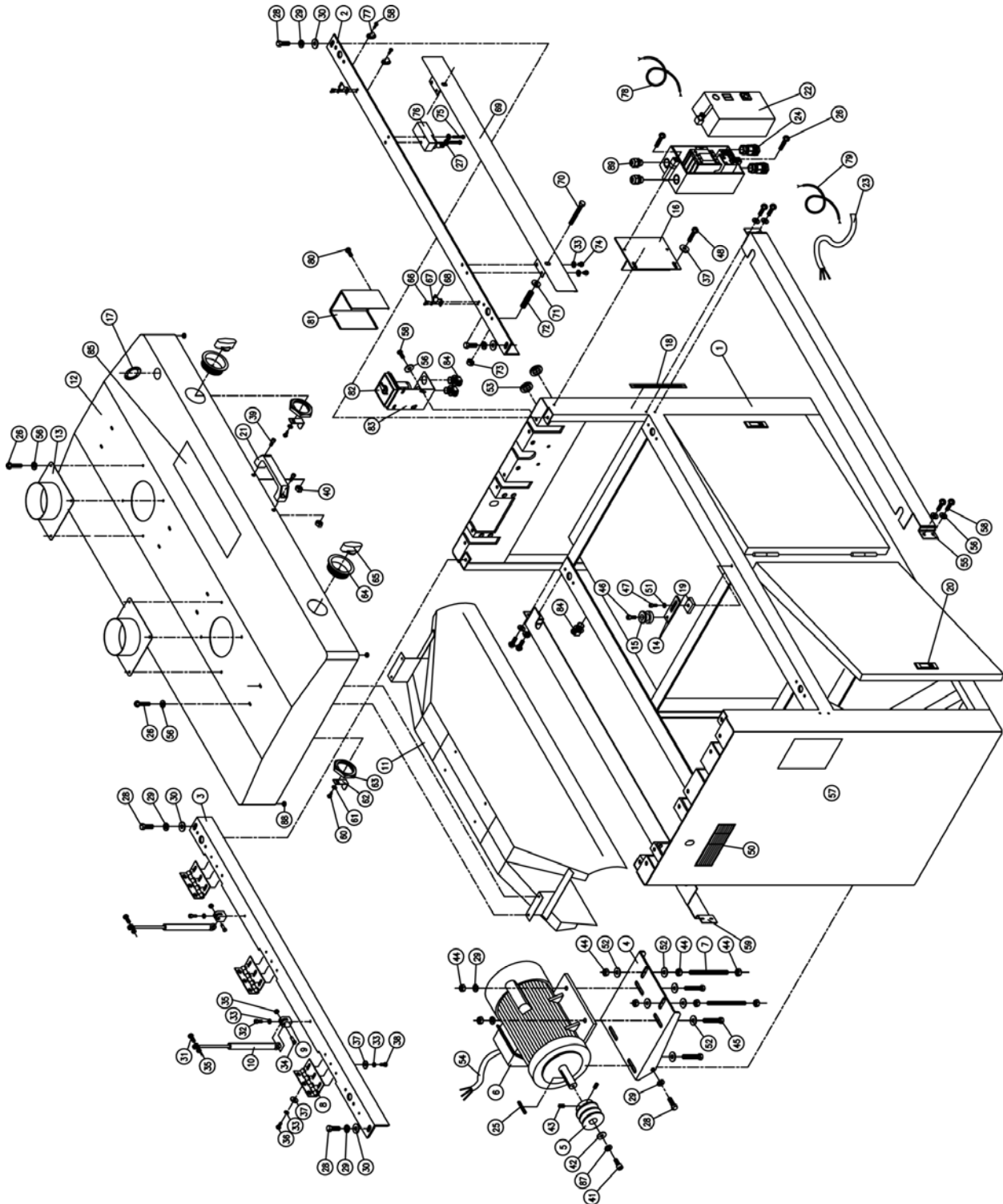
Index No.	Part No.	Description	Size	Qty
1	DDS237-301	Cabinet		1
2	DDS237-302	Support Bracket-Front		1
3	DDS237-303	Support Bracket-Rear		1
4	DDS237-304	Motor Plate		1
5	DDS237-305	Motor Pulley		1
6	DDS237-306	Motor	7-1/2HP, 1Ph, 230V	1
	DDS237-306MF	Motor Fan		1
	DDS237-306MFC	Motor Fan Cover		1
	DDS237-306CSA	Centrifugal Switch (for serial no. 801DDS2370071 and higher)		1
	DDS237-306SC	Starting Capacitor	250MFD, 250VAC	2
	DDS237-306RC	Running Capacitor	50µF, 450VAC	1
	DDS237-306SCC	Starting Capacitor Cover		1
	DDS237-306RCC	Running Capacitor Cover		1
	DDS237-306JB	Junction Box		1
	DDS237-306JBC	Junction Box Cover		1
6	DDS237-306A	Motor	10HP, 3Ph, 230/460V	1
	DDS237-306AMF	Motor Fan		1
	DDS237-306MFC	Motor Fan Cover		1
	DDS237-306JB	Junction Box		1
	DDS237-306JBC	Junction Box Cover		1
7	DDS225-307	Adjusting Screw		2
8	DDS225-308	Hinge		3
9	DDS225-309	Fixed Block		2
10	DDS225-310	Cylinder		2
11	DDS237-311	Flow Deflector		1
12	DDS237-312	Top Cover		1
13	DDS225-313	Dust Chute		2
14	DDS225-314	Roller Holder		1
15	DDS225-315	Idle Roller		1
16	DDS237-316	Switch Bracket		1
17	DDS225-317	Direction Label		1
18	DDS225-318	Scale		1
19	DDS225-319	Spacer		1
20	DDS225-320	Door Latch		3
21	DDS225-321	Handle		1
22	DDS237-322	Magnetic Switch (for 7-1/2HP, 1Ph, 230V)		1
	DDS237-322C	Contactactor		1
	DDS237-322R	Relay		1
22	DDS237-322A	Magnetic Switch (for 10HP, 3Ph, 230V)		1
	DDS237-322AC	Contactactor		1
	DDS237-322AR	Relay		1
22	DDS237-322B	Magnetic Switch (for 10HP, 3Ph, 460V)		1
	DDS237-322BC	Contactactor		1
	DDS237-322BR	Relay		1
23	DDS237-323	Power Cord	1Ph	1
	DDS237-323A	Power Cord	3Ph	1
24	DDS237-324	Strain Relief		2
25	DDS237-325	Key	10 x 8 x 55 mm	1
26	TS-081C032	Screw	#10-24 x 1/2	18
27	TS-0720051	Lock Washer	#10	2
28	TS-0209031	Socket Head Cap Screw	3/8-16 x 3/4	6
29	TS-0720091	Lock Washer	3/8	10
30	TS-1550071	Flat Washer	M10	4
31	TS-1504051	Socket Head Cap Screw	M8 x25	2

## Motor and Cabinet Assembly – DDS-237

Index No.	Part No.	Description	Size	Qty
32	TS-0207021	Socket Head Cap Screw	1/4-20 x 1/2	1
33	TS-0720071	Lock Washer	1/4	26
34	DDS237-334	Shoulder Screw	M8 X1.25P X11	2
35	TS-1541031	Nylon Insert Lock Nut	M8	4
36	TS-0050011	Hex Cap Screw	1/4-20 X 1/2	9
37	TS-0680021	Flat Washer	1/4	18
38	TS-0050011	Hex Cap Screw	1/4-20 x 1/2	9
39	TS-0208041	Socket Head Cap Screw	5/16-18 x 3/4	2
40	TS-0561021	Hex Nut	5/16-18	2
41	TS-1505021	Socket Head Cap Screw	M10 x 20	1
42	TS-1550071	Flat Washer	M10	1
43	TS-0270051	Socket Set Screw	5/16-18 x 1/2	2
44	TS-0561031	Hex Nut	3/8-16	10
45	TS-0060071	Hex Cap Screw	3/8-16 x 1-1/2	4
46	DDS225-346	Shoulder Screw		1
47	TS-0208061	Socket Head Cap Screw	5/16-18 x 1	1
48	TS-081F032	Phillips Pan Head Machine Screw	1/4-20 x 1/2	4
50	DDS225-350	Label (Drum Setting Gauge)		2
51	TS-0680031	Flat Washer	5/16	1
52	TS-0680041	Flat Washer	3/8	8
53	DDS225-353	Strain Relief		2
54	DDS237-354	Motor Cord	1Ph	1
	DDS237-354A	Motor Cord	3Ph	1
55	DDS237-355	Front Cover		1
56	TS-0680011	Flat Washer	3/16	26
57	DDS225-WL	Warning Label		1
58	TS-081C022	Screw	#10-24 x 3/8	14
59	DDS237-359	Rear Cover		1
60	DDS225-360	Self Tapping Screw	#10 x 1/2	2
61	TS-069204	Flat Washer	SAE #10	2
62	DDS225-362	Lock Piece		2
63	DDS225-363	Plastic Nut		2
64	DDS225-364	Lock Housing		2
65	DDS225-365	Lock Knob		2
66	TS-0207021	Socket Head Cap Screw	1/4-20 x 1/2	4
67	TS-0720071	Lock Washer	1/4	4
68	DDS225-368	Holder		2
69	DDS237-369	Plate		1
70	TS-1490111	Hex Cap Screw	M8 x 60	2
71	TS-1550061	Flat Washer	M8	2
72	DDS225-372	Spring		2
73	TS-1540061	Hex Nut	M8	2
74	TS-0813022	Round Head Machine Screw	1/4-20 x 3/8	4
75	DDS225-375	Screw	#10-24 x 1-1/4	2
76	DDS225-376	Limit Switch		1
77	DDS225-377	Cord Holder		2
78	DDS225-378	Cord, Limit Switch		1
79	DDS237-379	Switch Cord, Mag Switch to Reverse Switch (for 7-1/2HP, 1Ph, 230V)		1
	DDS237-379A	Switch Cord, Mag Switch to Reverse Switch (for 10HP, 3Ph, 230/460V)		1
80	TS-2284082	Screw	M4 x 8	1
81	DDS225-381	Switch Cover		1
82	DDS225-382	Reverse Switch (for 7-1/2HP, 1Ph, 230V)		1
	DDS237-382	Reverse Switch (for 10HP, 3Ph, 230/460V)		1
83	DDS225-383	Switch Bracket		1
84	DDS225-384	Strain Relief		3

# Motor and Cabinet Assembly – DDS-237

Index No.	Part No.	Description	Size	Qty
85	DDS237-385	Powermatic Logo		1
86	DDS237-386	I.D. Label (not shown)		1
87	TS-2361101	Lock Washer	M10	1
88	DDS237-388	Pad		4
89	DDS237-389	Strain Relief		2

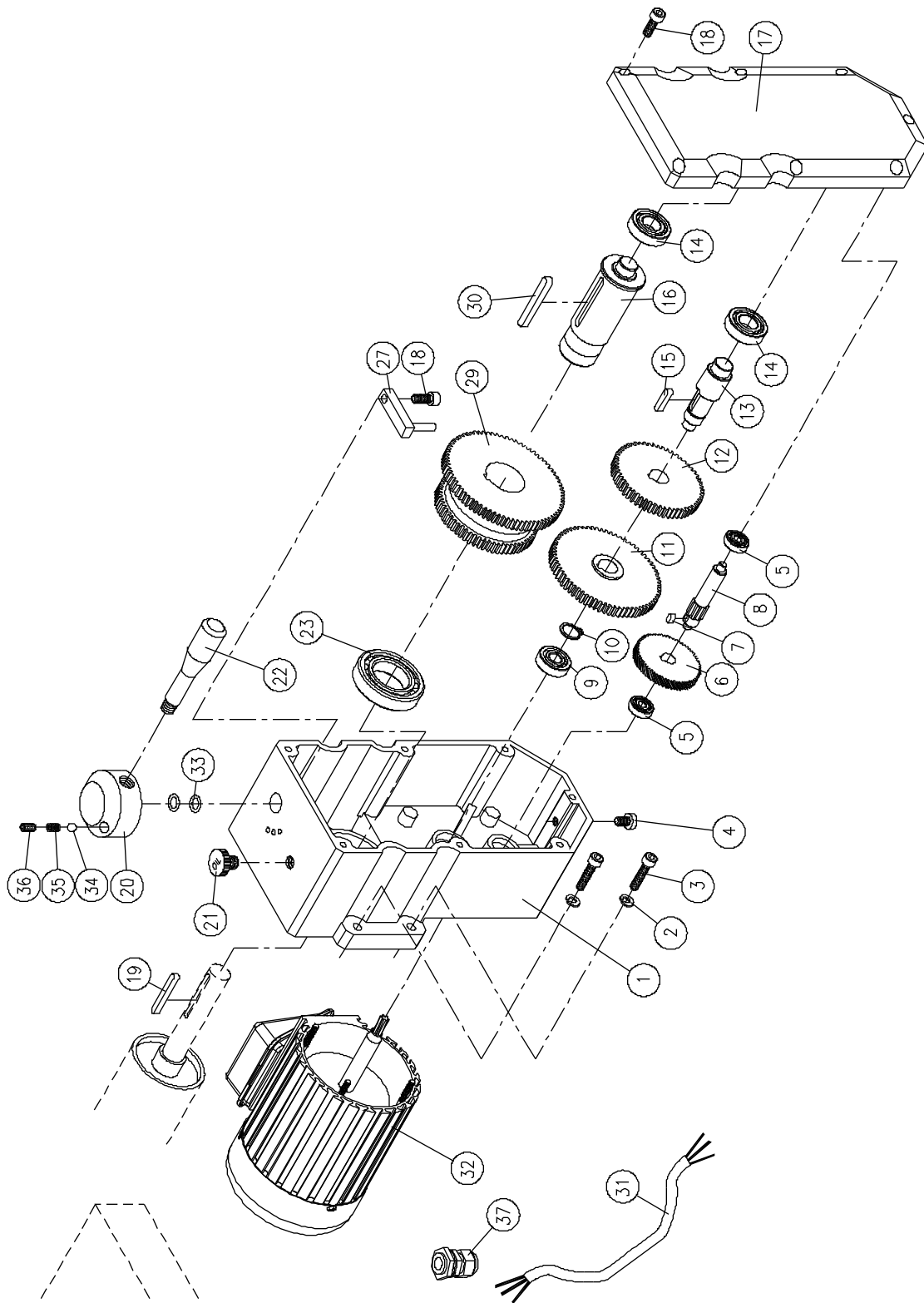


## Gearbox Assembly – DDS-237

Index No.	Part No.	Description	Size	Qty
1	DDS225-401A	Gearbox Body		1
2	TS-0720071	Lock Washer	1/4	4
3	TS-0207071	Socket Head Cap Screw	1/4-20 x 1-1/4	4
4	DDS225-404	Drain Plug		1
5	BB-626VV	Ball Bearing		2
6	DDS225-406	Gear	66T	1
7	DDS225-407	Key	4 x 4 x 8	1
8	DDS225-408	Pinion		1
9	BB-6000VV	Ball Bearing	6000VV	1
10	DDS225-410	C-Ring		1
11	DDS225-411	Gear	70T	1
12	DDS225-412	Gear	57T	1
13	DDS225-413	Shaft		1
14	BB-6002VV	Ball Bearing	6002VV	2
15	DDS225-415	Key	5 x 5 x 20	1
16	DDS225-416	Shaft		1
17	DDS225-417	Cover		1
18	TS-1503041	Socket Head Cap Screw	M6 x 16	8
19	DDS225-419	Key	5 x 5 x 30	1
20	DDS225-420	Collar		1
21	DDS225-421	Oil Plug		1
22	DDS225-422	Handle		1
23	BB-6006VV	Ball Bearing		1
27	DDS225-427	Block		1
29	DDS225-429A	Gear Assembly (s/n 0509DDS225726 and higher)	64T / 77T	1
30	DDS225-430	Key	6 x 6 x 50	1
31	DDS225-431	Cable (for 1/4HP, 1Ph, 230V )		1
	DDS237-431	Cable (for 1/4HP, 3Ph, 230/460V)		1
32	DDS225-432A	Motor	1/4HP, 1Ph, 230V	1
	DDS225-432MF	Motor Fan		1
	DDS225-432MFC	Motor Fan Cover		1
	DDS225-432RC	Running Capacitor	10µF, 350VAC	1
	DDS225-432JB	Junction Box		1
	DDS225-432JBC	Junction Box Cover		1
32	DDS237-432	Motor	1/4HP, 3Ph, 230/460V	1
	DDS225-432MF	Motor Fan		1
	DDS225-432MFC	Motor Fan Cover		1
	DDS225-432JB	Junction Box		1
	DDS225-432JBC	Junction Box Cover		1
33	DDS225-433	Gasket		2
34	DDS225-434	Steel Ball		1
35	DDS225-435	Spring		1
36	TS-1523011	Socket Set Screw	M6 x 6	1
37	DDS225-384	Strain Relief		1



# Gearbox Assembly – DDS-237



## Optional Accessories

The optional accessories listed below are available for use with DDS-225 and DDS-237 Drum Sanders.

### Ready-To-Cut Abrasive Strips

<b>Part No.</b>	<b>Description</b>	<b>Normal Use</b>
60-9036	..... 36 Grit Sandpaper .....	surfacing rough-sawn boards, stock and glue removal
60-9060	..... 60 Grit Sandpaper .....	surfacing and dimensioning boards, truing warped boards
60-9080	..... 80 Grit Sandpaper .....	surfacing, light dimensioning, removing planer ripples
60-9100	..... 100 Grit Sandpaper .....	light surfacing, removing planer ripples
60-9120	..... 120 Grit Sandpaper .....	light surfacing, minimal stock removal
60-9150	..... 150 Grit Sandpaper .....	finish sanding, minimal stock removal
60-9180	..... 180 Grit Sandpaper .....	finish sanding only, not for stock removal
60-9220	..... 220 Grit Sandpaper .....	finish sanding only, not for stock removal

# DDS-237 Sander – 7.5HP, 1Ph, 230V

