

# **POWERMATIC®**

WMH | **TOOL GROUP**

## **Operating Instructions and Parts Manual Horizontal Panel Saw**

**Model HPS67**



### **WMH TOOL GROUP**

2420 Vantage Drive  
Elgin, Illinois 60123  
Ph.: 800-274-6848  
[www.wmhtoolgroup.com](http://www.wmhtoolgroup.com)

**Part No. M-0460273**

Revision C 10/05

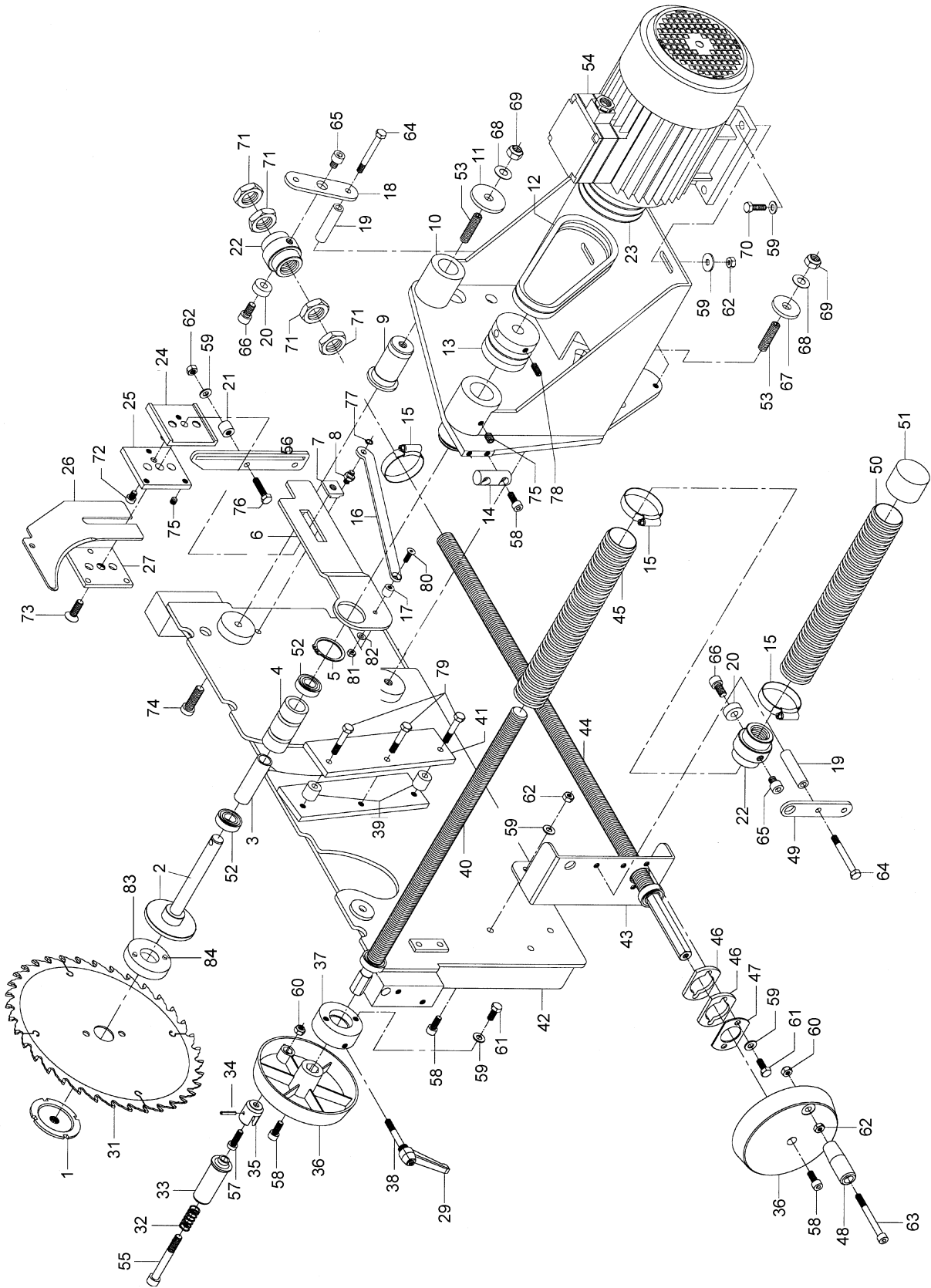
Copyright © WMH Tool Group

## Parts List: Motor and Arbor Assembly

Index No.	Part No.	Description	Size	Qty
1	HPS67-101	Collar		1
2	HPS67-102	Arbor Shaft		1
3	HPS67-103	Shaft		1
4	HPS67-104	Bushing		1
5	HPS67-105	Retainer Ring		1
6	HPS67-106	Bracket		1
7	HPS67-107	Retainer Block		1
8	HPS67-108	Spacer		1
9	HPS67-109	Sleeve		1
10	HPS67-110	Motor Base		1
11	HPS67-111	Flange Washer		1
12	HPS67-112	V-Belt		2
13	HPS67-113	Arbor Pulley		1
14	HPS67-114	Shaft		1
15	HPS67-115	Hose Clamp		3
16	HPS67-116	Riving Knife Holder Plate		1
17	HPS67-117	Spacer		1
18	HPS67-118	Strap Bracket		1
19	HPS67-119	Flange Nut Height Adjustment		2
20	HPS67-120	Spacer		2
21	HPS67-121	spacer		1
22	HPS67-122	Nut Inclination		2
23	HPS67-123	Motor Pulley		1
24	HPS67-124	Bracket		1
25	HPS67-125	Bracket		1
26	HPS67-126	Riving Knife	250/300	1
27	HPS67-127	Bracket		1
31		Saw Blade (not included)		1
32	HPS67-132	Spring		1
33	HPS67-133	Handwheel		1
34	HPS67-134	Pin	Φ 4 x 24mm	1
35	HPS67-135	Handwheel Mouting Handle		1
36	HPS67-136	Handwheel		2
37	HPS67-137	Collar		1
38	HPS67-138	Stud	M8 x 60	1
39	HPS67-139	Bushing		2
40	HPS67-140	Spindle		1
41	HPS67-141	Plate		1
42	HPS67-142	Mount Bracket		1
43	HPS67-143	Spindle Bracket		1
44	HPS67-144	Spindle		1
45	HPS67-145	Cover Tube		1
46	HPS67-146	Plate		2
47	HPS67-147	Plate		1
48	HPS67-148	Handle		1
49	HPS67-149	Strap Bracket		1
50	HPS67-150	Tube		1
51	HPS67-151	Sleeve		1
52	BB-6003ZZ	Ball Bearing		2
53	HPS67-153	Stud	M12 x 50	2
54	HPS67-154	Motor	5HP, 3Ph, 230V	1
	HPS67-154A	Motor	3HP, 1PH, 230V	1
55	HPS67-155	Bolt Handwheel		1
56	HPS67-156	Bracket		1
57	TS-1504051	Socket Head Cap Screw	M8 x 25	1
58	TS-1504041	Socket Head Cap Screw	M8 x 20	5
60	TS-1541031	Nylon Lock Hex Nut	M8	2

61	TS-1490031	Hex Head Cap Screw	M8 x 20	1
62	TS-1540061	Full Hex Nut	M8	6
63	TS-2238751	Socket Head Cap Screw	M8 x 75	1
64	TS-1504131	Socket Head Cap Screw	M8 x 70	2
65	TS-2239101	Socket Head Cap Screw	M10 x 8	1
66	TS-1505011	Socket Head Cap Screw	M10 x 16	2
67	HPS67-157	Flange Washer		1
68	TS-2360101	Flat Washer	M12	2
69	TS-2342121	Full Nylon Inset Lock Nut	M12	2
70	TS-1490041	Hex Cap Screw	M8 x 25	4
71	TS-2312241	Hex Jam Nut	M24	4
72	TS-1504011	Socket Head Cap Screw	M8 x 10	1
73	TS-1516031	Flat Head Socket Cap Screw	M10 x 30	1
74	TS-1506051	Socket Head Cap Screw	M12 x 40	1
75	TS-1524011	Socket Set Screw	M8 x 8	4
76	TS-1490061	Hex Head Cap Screw	M8 x 35	1
77	TS-2361081	Lock Washer	M8	1
78	TS-1524041	Socket Set Screw	M8 x 16	2
79	TS-1490081	Hex Head Cap Screw	M8 x 45	3
80	TS-1514051	Flat Head Socket Cap Screw	M6 x 30	1
81	TS-1541021	Nylon Lock Hex Nut	M6	1
82	TS-1550041	Flat Washer	M6	1
83	HPS67-158	Dado Bushing	30mm	1
84	TS-1522061	Socket Set Screw	M5 x 20	2

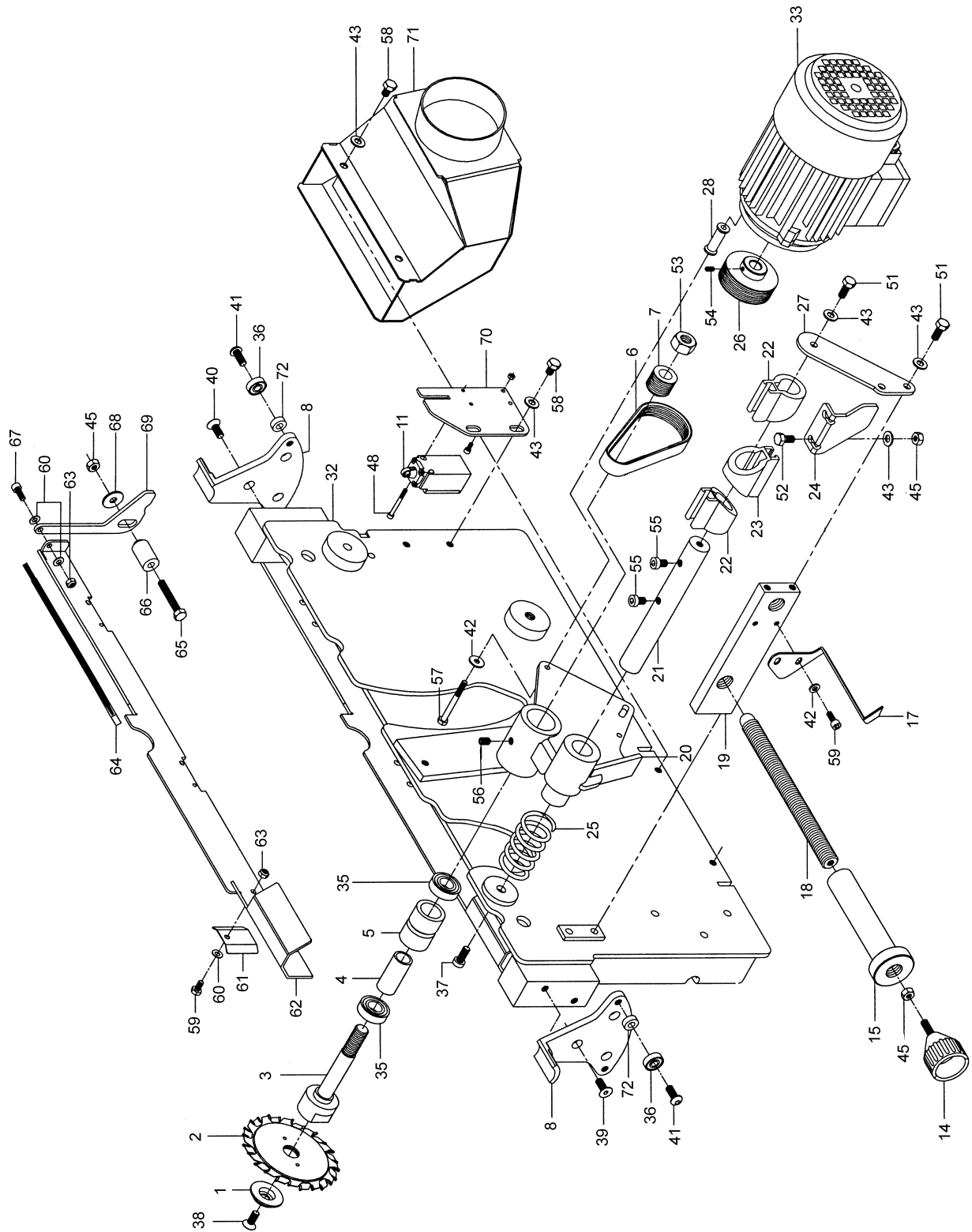
# Motor and Arbor Assembly



## Parts List: Scoring Motor and Arbor Assembly

Index No.	Part No.	Description	Size	Qty
1	HPS67-201	Collar		1
2		Scoring Blade (not included)		1
3	HPS67-203	Arbor Shaft		1
4	HPS67-204	Bushing		1
5	HPS67-205	Sleeve		1
6	HPS67-206	V-Belt		1
7	HPS67-207	Arbor Pulley		1
8	HPS67-208	Tilt Bracket		2
11	HPS67-211	Micro Switch		1
14	HPS67-214	Handle Knob		1
15	HPS67-215	Bushing		1
17	HPS67-217	Bracket		1
18	HPS67-218	Adjustment Screw		1
19	HPS67-219	Block		1
20	HPS67-220	Arbor Housing		1
21	HPS67-221	Shaft		1
22	HPS67-222	Shaft Guide		1
23	HPS67-223	Shaft Bracket		1
24	HPS67-224	Guide Bracket		1
25	HPS67-225	Spring		1
26	HPS67-226	Motor Pulley		1
27	HPS67-227	Strap Bracket		1
28	HPS67-228	Bushing		1
32	HPS67-232	Saw Unit Assembly		1
33	HPS67-233	Scoring Motor	3/4HP, 230V	1
35	BB-6003ZZ	Ball Bearing	6003ZZ	2
36	BB-608ZZ	Ball Bearing	608ZZ	2
37	TS-1504041	Socket Head Cap Screw	M8 x 20	1
38	TS-1515021	Flat Head Socket Cap Screw	M8 x 20	1
39	TS-1515031	Flat Head Socket Cap Screw	M8 x 25	1
40	TS-1515011	Flat Head Socket Cap Screw	M8 x 16	1
41	TS-2248162	Socket Head Button Screw	M8 x 16	2
42	TS-1550041	Flat Washer	M6	2
43	TS-1550061	Flat Washer	M8	7
45	TS-2311081	Hex Nut	M8	3
48	TS-1501081	Socket Head Cap Screw	M4 x 30	1
51	TS-1490031	Hex Head Cap Screw	M8 x 20	2
52	TS-1490021	Hex Head Cap Screw	M8 x 16	2
53	TS-2310162	Hex Nut	M16	1
54	TS-1522041	Socket Set Screw	M5 x 12	1
55	TS-1504021	Socket Head Cap Screw	M8 x 12	2
56	TS-1524031	Socket Set Screw	M8 x 12	1
57	TS-1503131	Socket Head Cap Screw	M6 x 60	1
58	TS-1490011	Hex Head Cap Screw	M8 x 12	3
59	TS-1482021	Hex Cap Screw	M6 x 12	1
60	TS-1550041	Flat Washer	M6	2
61	HPS67-261	Plate		1
62	HPS67-262	Cover		1
63	TS-1540041	Hex Nut	M6	2
64	HPS67-264	Brush		1
65	TS-1490091	Hex Cap Screw	M8 x 50	1
66	HPS67-266	Spacer		1
67	TS-1503041	Socket Head Cap Screw	M6 x 16	1
68	TS-1550061	Flat Washer	M8	1
69	HPS67-269	Support		1

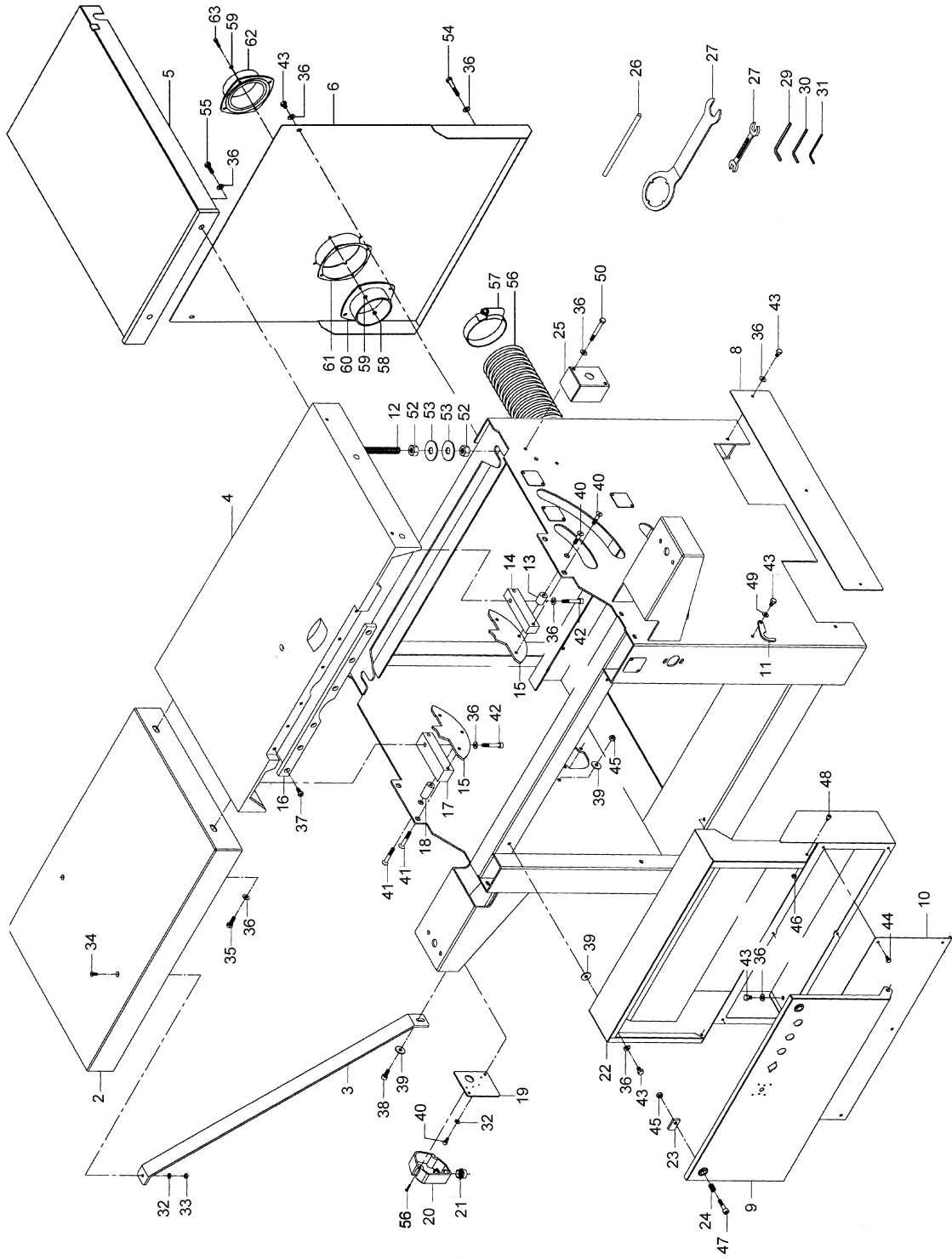
70.....	HPS67-270 .....	Mounting Bracket.....	1
71.....	HPS67-271 .....	Dust Chute Assembly .....	1
72.....	HPS67-272 .....	Spacer.....	2



## Parts List: Stand and Table Assembly

Index No.	Part No.	Description	Size	Qty
1	HPS67-301	Stand		1
2	HPS67-302	Table Extension		1
3	HPS67-303	Support Leg		1
4	HPS67-304	Table		1
5	HPS67-305	Table Saw Extension Right Z		1
6	HPS67-306	Door		1
8	HPS67-308	Base Plate		1
9	HPS67-309	Base Plate		1
10	HPS67-310	Base Plate		1
11	HPS67-311	Hook		1
12	HPS67-312	Threaded Rod		1
13	HPS67-313	Bushing		1
14	HPS67-314	Spacer Block		1
15	HPS67-315	Mount Plate		1
16	HPS67-316	Mount Block		1
17	HPS67-317	Spacer Block		1
18	HPS67-318	Bushing		1
19	HPS67-319	Mount Plate		1
20	HPS67-320	Housing		1
21	HPS67-321	Bushing		1
22	HPS67-322	Side Plate		1
23	HPS67-323	Bracket		1
24	HPS67-324	Spring		1
25	HPS67-325	Box		1
26	HPS67-326	Rod		1
27	HPS67-327	Wrench		1
28	HPS67-328	Wrench	12 x 17mm	1
29	TS-152707	Hex Wrench	6mm Short	1
30	TS-152706	Hex Wrench	5mm Short	1
31	TS-152705	Hex Wrench	4mm Short	1
32	TS-1550041	Flat Washer	M6	1
33	TS-2311061	Hex Nut	M6	1
34	TS-1514021	Socket Head Flat Screw	M6 x 16	1
35	TS-1490031	Hex Cap Screw	M8 x 20	1
36	TS-1550061	Flat Washer	M8	6
37	TS1504031	Socket Head Cap Screw	M8 x 16	1
38	TS-1504041	Socket Head Cap Screw	M8 x 20	1
39	TS-2361081	Lock Washer	M8	3
40	TS-1503041	Socket Head Cap Screw	M6 x 16	1
41	TS-2248501	Socket Head Flat Screw	M8 x 50	2
42	TS-1504101	Socket Head Cap Screw	M8 x 50	2
43	TS-1490011	Hex Head Cap Screw	M8 x 12	1
44	TS-1482021	Hex Head Cap Screw	M8 x 12	1
45	TS-2311081	Hex Nut	M8	2
46	TS-2311061	Hex Nut	M6	1
47	TS-1504071	Socket Head Cap Screw	M8 x 35	1
48	TS-1503011	Socket Head Cap Screw	M6 x 8	1
49	TS-1550061	Flat Washer	M8	1
50	TS-1490151	Hex Head Cap Screw	M8 x 80	2
51	TS-1515051	Flat Head Socket Cap Screw	M8 x 40	1
52	TS-154010	Hex Nut	M16	8
53	TS-155010	Flat Washer	M16	8
54	TS-1490101	Hex Head Cap Screw	M8 x 55	1
55	TS-1490041	Hex Cap Screw	M8 x 25	4
56	HPS67-356	Dust Hose		1
57	HPS67-357	Hose Clamp		1

58.....	TS-1540031 .....	Hex Nut .....	M5.....	4
59.....	TS-1550031 .....	Flat Washer .....	M5.....	8
60.....	HPS67-360 .....	Interior Dust Chute.....		1
61.....	HPS67-361 .....	Gasket.....		1
62.....	HPS67-362 .....	Exterior Dust Chute .....		1
63.....	TS-1502051 .....	Socket Head Cap Screw .....	M5 x 20 .....	4

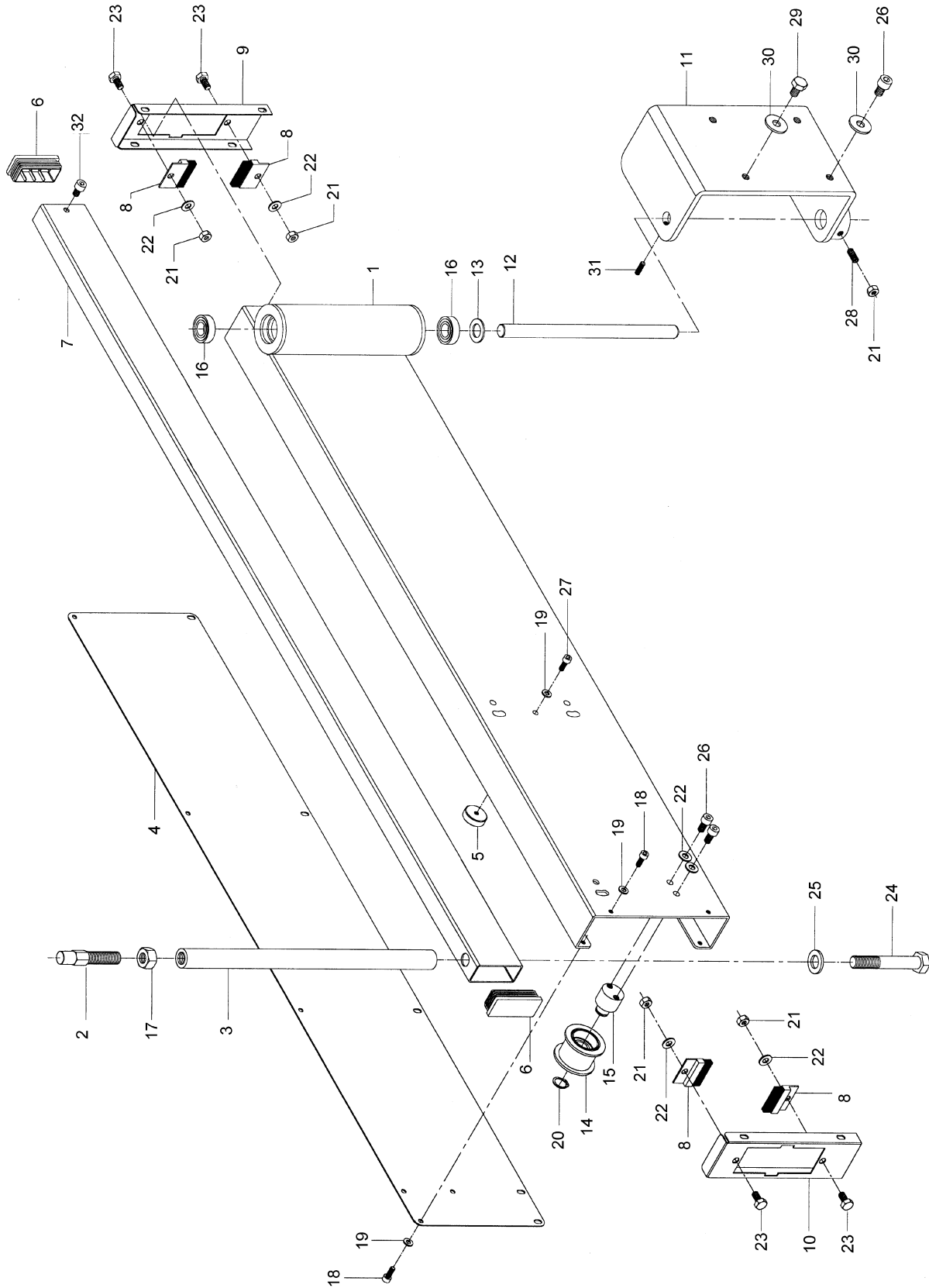




## Parts List: Support Arm Assembly

Index No.	Part No.	Description	Size	Qty
1	HPS67-501	Support Arm		1
2	HPS67-502	Shaft		1
3	HPS67-503	Shaft		1
4	HPS67-504	Side Plate		1
5	HPS67-505	Roller		1
6	HPS67-506	Plug		2
7	HPS67-507	Arm Tube		1
8	HPS67-508	Brush		4
9	HPS67-509	Bracket		1
10	HPS67-510	Bracket		1
11	HPS67-511	Arm Bracket		1
12	HPS67-512	Pivot Shaft		1
13	HPS67-513	Spacer		1
14	HPS67-514	Spool		1
15	HPS67-515	Shaft		2
17	TS-154010	Hex Nut	M16	1
18	TS-1503031	Socket Head Cap Screw	M6 x 12	8
19	TS-1550041	Flat Washer	M6	8
20	HPS67-516	Retainer Ring		1
21	TS-2311081	Hex Nut	M8	5
22	TS-1550061	Flat Washer	M8	6
23	TS-1490021	Hex Head Cap Screw	M8 x 16	4
24	TS-2213801	Hex Head Cap Screw	M16 x 80	1
25	TS-155010	Flat Washer	M16	1
26	TS-1504031	Socket Head Cap Screw	M8 x 16	4
27	TS-1503041	Socket Head Cap Screw	M6 x 16	1
28	TS-1524061	Socket Set Screw	M8 x 25	1
29	TS-2210161	Hex Head Cap Screw	M10 x 16	1
30	TS-1550071	Flat Washer	M10	2
31	TS-1523061	Socket Set Screw	M6 x 20	1
32	TS-1504021	Socket Head Cap Screw	M8 x 12	1

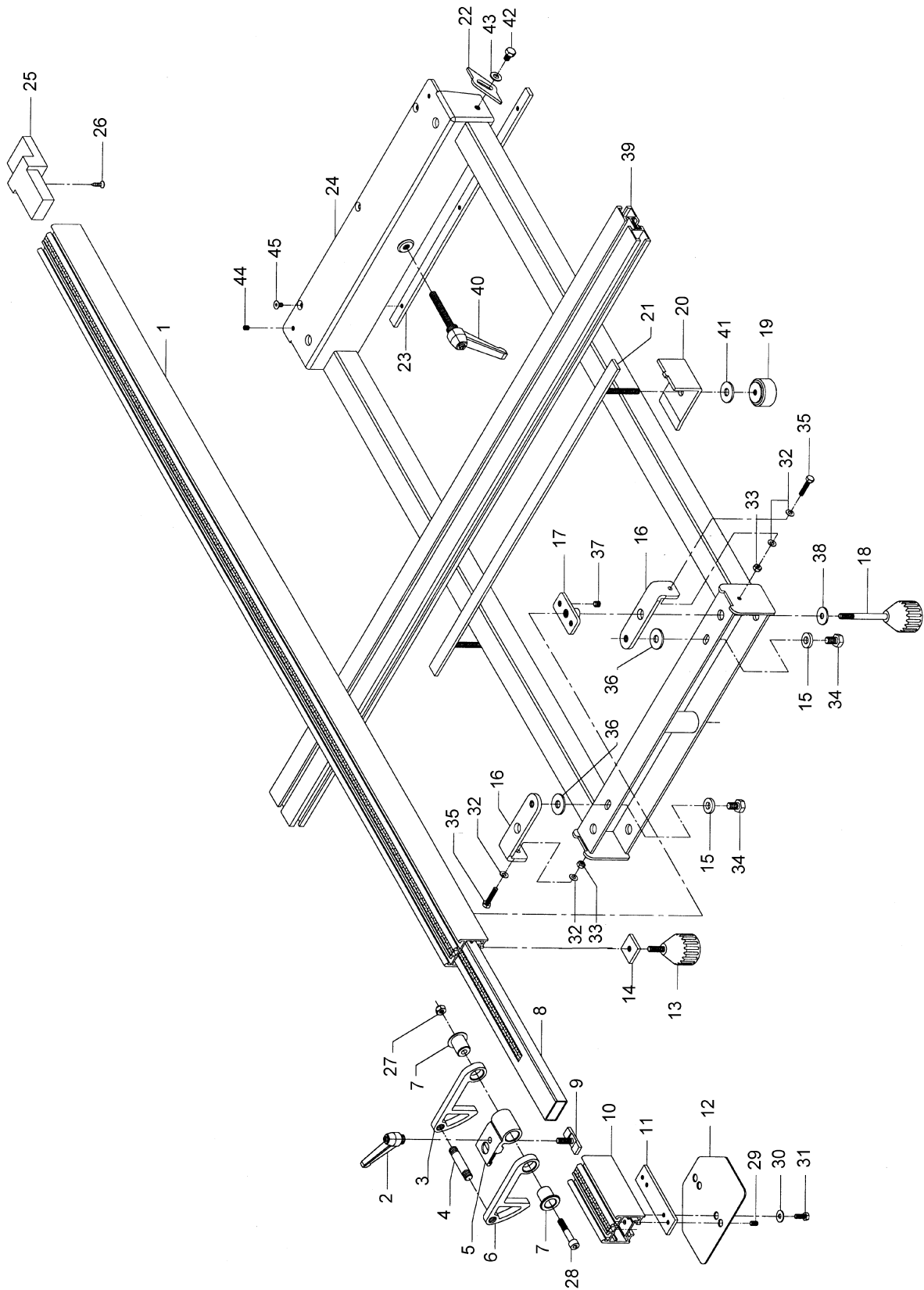
# Support Arm Assembly



## Parts List: Cross Cut Fence Assembly

Index No.	Part No.	Description	Size	Qty
1	HPS67-601	Cross Cut Fence		1
2	HPS67-129	Handle		1
3	HPS67-603	Flipper Bracket (Left)		2
4	HPS67-604	Pin		2
5	HPS67-605	Bracket Cursor		2
6	HPS67-606	Flipper Bracket (Right)		2
7	HPS67-607	Stop Bushing		4
8	HPS67-608	Fence Tube		1
9	HPS67-609	T-Bolt		1
10	HPS67-610	Fence Clamp		1
11	HPS67-611	Plate		1
12	HPS67-612	Mitre Bracket		1
13	HPS67-613	Hand Knob		1
14	HPS67-614	Square Nut		1
15	HPS67-615	Washer		2
16	HPS67-616	Bracket		2
17	HPS67-617	Clamp Nut		1
18	HPS67-618	Hand Knob		1
19	HPS67-619	Lock Knob		1
20	HPS67-620	Clamp		1
21	HPS67-621	Strap Bracket		1
22	HPS67-622	Adjustment Plate		1
23	HPS67-623	Bracket		1
24	HPS67-624	Bracket		1
25	HPS67-625	Fence Splitter Protector		1
26	HPS67-626	Self-Tapping Screw		1
27	TS-1541031	Hex Nylon Lock Nut	M8	2
28	TS-1504091	Socket Head Cap Screw	M8 x 45	2
29	TS-1523031	Socket Set Screw	M6 x 10	1
30	TS-1550041	Flat Washer	M6	1
31	TS-1482031	Hex Head Cap Screw	M6 x 16	1
32	TS-1550041	Flat Washer	M6	2
33	TS-1541021	Hex Nylon Lock Nut	M6	2
34	TS-2210161	Hex Head Cap Screw	M10 x 16	1
35	TS-1482061	Hex Head Cap Screw	M6 x 30	2
36	TS-1550071	Flat Washer	M10	2
37	TS-1524011	Socket Set Screw	M8 x 8	2
38	TS-2361081	Lock Washer	M8	1
39	HPS67-627	Cross Tube		1
40	HPS67-628	Handle		1
41	TS-1550071	Flat Washer	M10	1
42	TS-1490011	Hex Head Cap Scre	M8 x 12	1
43	TS-1550061	Flat Washer	M8	1
44	TS-1523011	Socket Set Screw	M6 x 6	2
45	TS-2246101	Flat Head Socket Cap Screw	M6 x 10	1

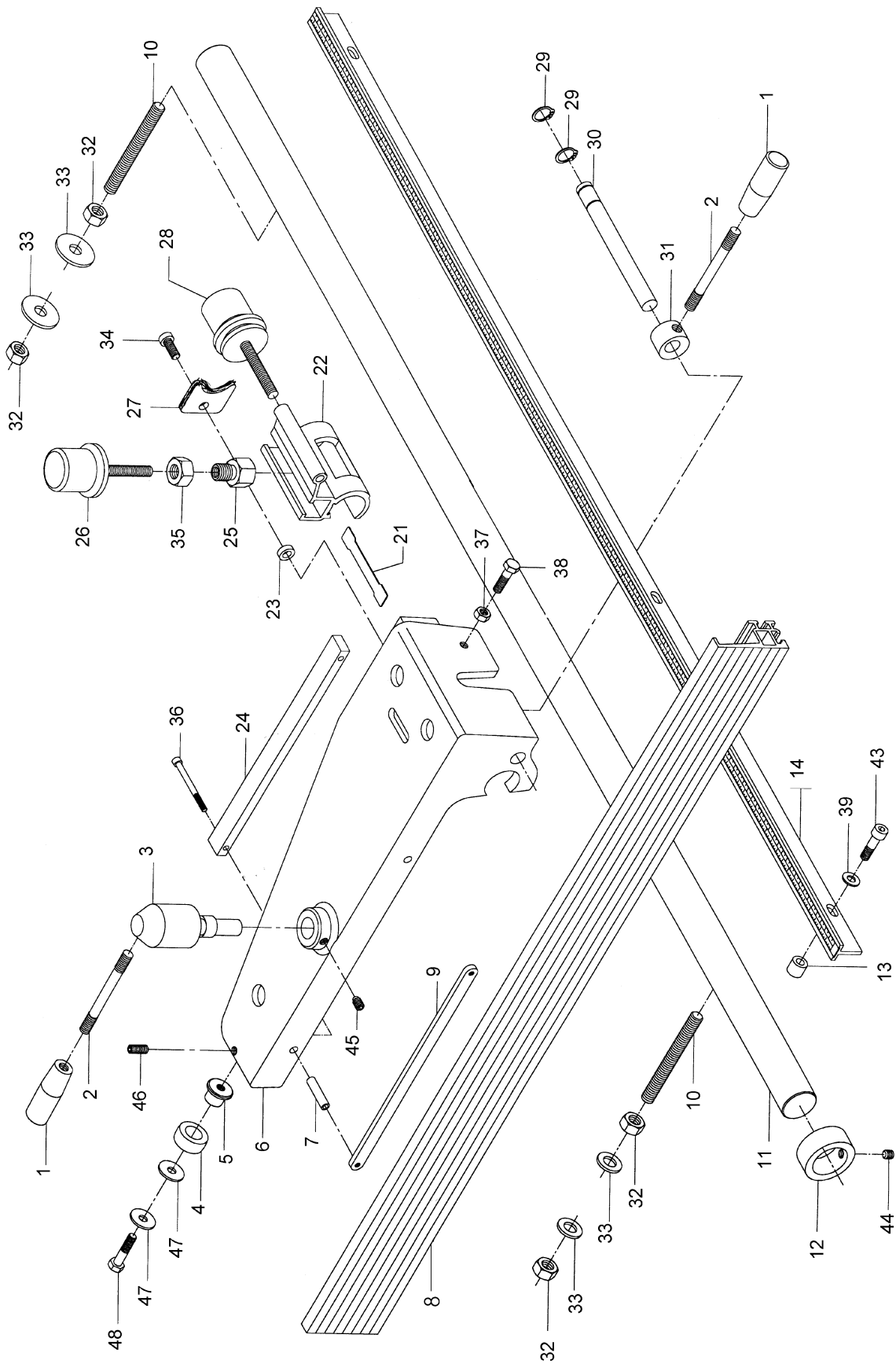
# Cross Cut Fence Assembly



## Parts List: Rip Fence Assembly

Index No.	Part No.	Description	Size	Qty
1	HPS67-445	Handle		2
2	HPS67-702	Stud		2
3	HPS67-703	Lock Bushing		1
4	HPS67-704	Bushing		1
5	HPS67-705	Sleeve		1
6	HPS67-706	Fence Bracket		1
7	HPS67-707	Spacer		2
8	HPS67-708	Fence		1
9	HPS67-709	Strap		1
10	HPS67-710	Stud		2
11	HPS67-711	Guide Bar		1
12	HPS67-712	Collar		1
13	HPS67-713	Spacer		1
14	HPS67-714	Parallel Scale		1
21	HPS67-721	Plate		1
22	HPS67-722	Adjustment Bracket		1
23	HPS67-723	Bushing		1
24	HPS67-724	Bar		1
25	HPS67-725	Guide Bolt		1
26	HPS67-726	Adjustment Lock Bolt		1
27	HPS67-727	Handle Plate		1
28	HPS67-728	Fine Adjustment Bolt		1
29	HPS67-729	Retainer Ring		2
30	HPS67-730	Eccentric Shaft		1
31	HPS67-731	Lock Collar		1
32	TS-1540081	Hex Nut	M12	4
33	TS-2360121	Flat Washer	M12	4
34	TS-1504041	Socket Head Cap Screw	M8 x 20	1
35	TS-154010	Hex Nut	M16	1
36	TS-2235601	Socket Head Cap Screw	M5 x 60	2
38	TS-1490071	Hex Head Cap Screw	M8 x 40	1
43	TS-1504061	Socket Head Cap Screw	M8 x 30	5
44	TS-1524011	Socket Set Screw	M8 x 8	1
45	TS-1524031	Socket Set Screw	M8 x 12	1
46	TS-1524051	Socket Set Screw	M8 x 20	1
47	TS-1550061	Flat Washer	M8	2
48	TS-1490061	Hex Head Cap Screw	M8 x 35	1

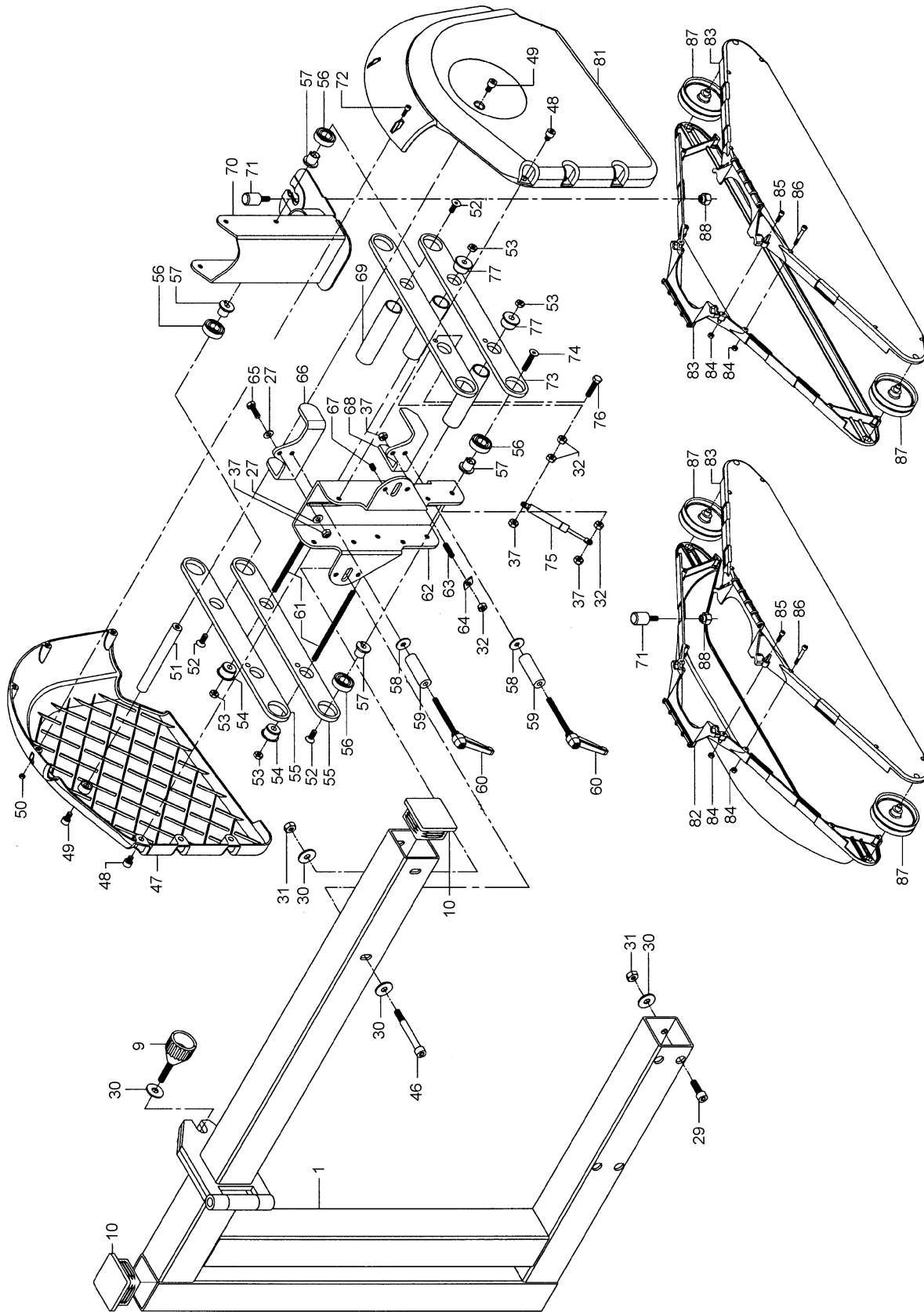
# Rip Fence Assembly



## Parts List: Over Arm Guard Assembly

Index No.	Part No.	Description	Size	Qty
1	HPS67-901A	Over Arm Assembly		1
9	HPS67-909	Hand Knob		1
10	HPS67-910	End Cap		2
27	TS-1550061	Flat Washer	M8	12
29	TS-1505041	Socket Head Cap Screw	M10 x 30	4
30	TS-1550071	Flat Washer	M10	8
31	TS-2311101	Hex Nut	M10	5
32	TS-2311081	Hex Nut	M8	4
37	TS-1541031	Nylon Lock Hex Nut	M8	4
46	TS-1505131	Socket Head Cap Screw	M10 x 80	2
47	HPS67-947	Upper Guard (LH)		1
48	TS-1504011	Socket Head Cap Screw	M8 x 10	6
49	TS-1504031	Socket Head Cap Screw	M8 x 16	2
50	TS-1540031	Hex Nut	M5	1
51	HPS67-951	Stand Off		1
52	TS-1515031	Socket Head Flat Screw	M8 x 25	3
53	TS-2311081	Hex Nut	M8	4
54	HPS67-954	Bushing		2
55	HPS67-955	Link Bar		2
56	HPS67-956	Ball Bearing	6003-2RS	4
57	HPS67-957	Bushing		4
58	TS-1550061	Flat Washer	M8	2
59	HPS67-959	Spacer		2
60	HPS67-960	Handle		2
61	HPS67-961	Threaded Rod		1
62	HPS67-962	Guard Column (LH)		1
63	HPS67-963	Socket Set Screw	M8 x 30	1
64	HPS67-964	Pointer		1
65	TS-1490041	Hex Cap Screw	M8 x 25	1
66	HPS67-966	Upper Bracket		1
67	TS-1524021	Socket Set Screw	M8 x 10	4
68	HPS67-968	Lower Bracket		1
69	HPS67-969	Support Shaft		4
70	HPS67-970	Guard Column (RH)		1
71	HPS67-971	Bolt		1
72	TS-1502041	Socket Head Cap Screw	M5 x 16	
73	HPS67-973	Link Bar		2
74	HPS67-974	Socket Head Flat Screw	M8 x 45	1
75	HPS67-975	Cylinder		1
76	TS-149006	Hex Cap Screw	M8 x 35	1
77	HPS67-977	Bushing		2
81	HPS67-981	Upper Guard (RH)		1
	HPS67-982A	Blade Guard Assembly (tilted arbor) (items 71, 82 thru 88)		1
82	HPS67-982	Blade Guard (tilted arbor)		1
	HPS67-983A	Blade Guard Assembly (items 71, 83 thru 88)		1
83	HPS67-983	Blade Guard		3
84	TS-1540021	Hex Nut	M4	4
85	TS-1501051	Socket Head Cap Screw	M4 x 16	4
86	TS-1501091	Socket Head Cap Screw	M4 x 35	4
87	HPS67-987	Roller		4
88	HPS67-988	Lock Nut		1

# Over Arm Guard Assembly



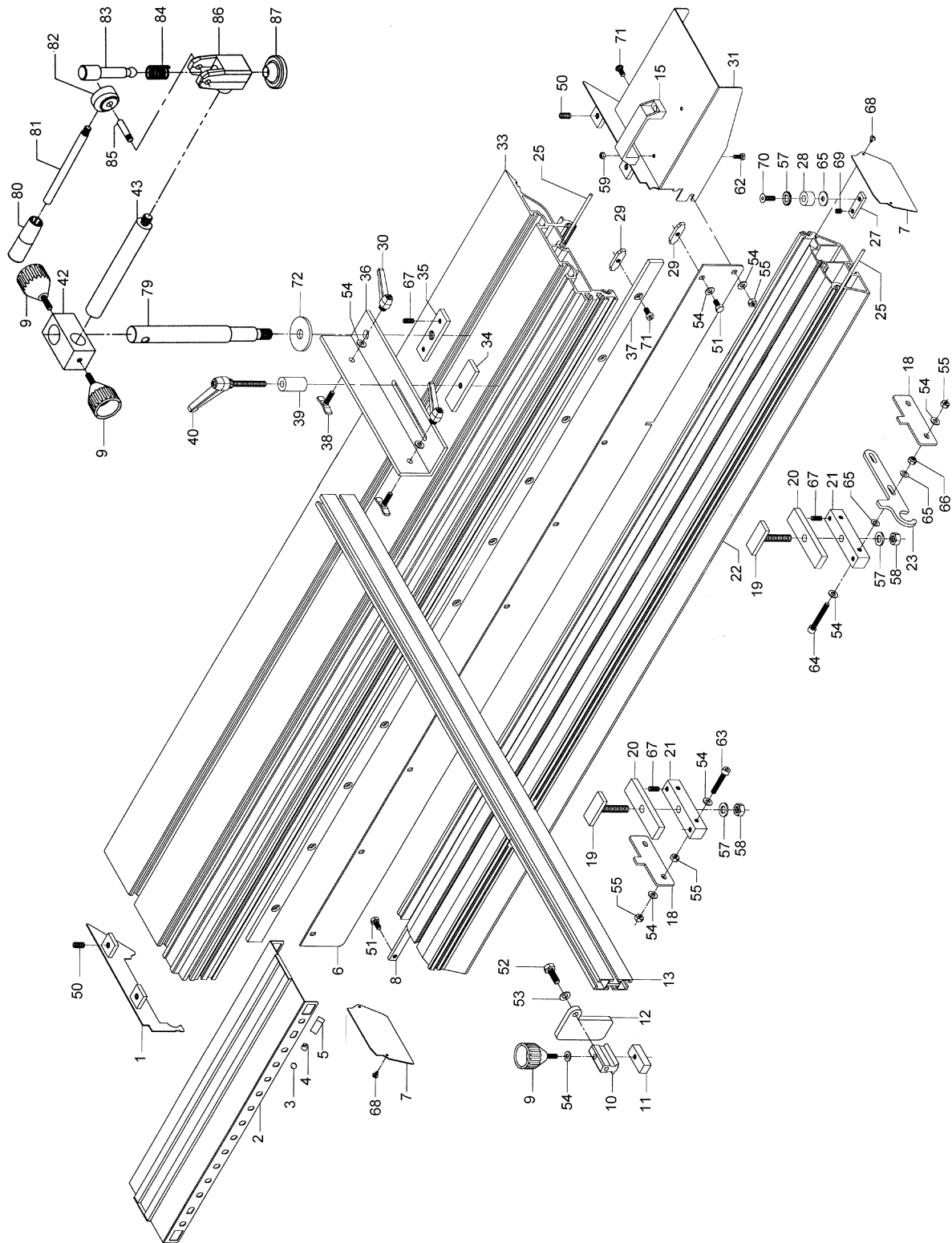


## Parts List: Sliding Table Assembly

Index No.	Part No.	Description	Size	Qty
1	HPS67-401	Plate		1
2	HPS67-402	Mount Plate		1
3	HPS67-403	Steel Ball		30
4	HPS67-404	Plug		4
5	HPS67-405	Wiper		4
6	HPS67-406	Plate (1700)		1
7	HPS67-407	Cover Plate		2
8	HPS67-408	Strap Plate		1
9	HPS67-409	Adjustment Knob		2
10	HPS67-410	Adjustment Block		1
11	HPS67-411	Lock Plate		1
12	HPS67-412	Mitre Guide Stop		1
13	HPS67-413	Profile Tube		1
15	HPS67-415	Handle		1
18	HPS67-418	Plate		2
19	HPS67-419	Lock Profile		2
20	HPS67-420	Lock Plate		2
21	HPS67-421	Lock Block		2
22	HPS67-422	Profile Support (1700)		1
23	HPS67-423	Lock Slide Table		1
25	HPS67-425	Rod (1700)		8
27	HPS67-427	Rubber Buffer Plate		1
28	HPS67-428	Spacer		1
29	HPS67-429	Nut Plate		14
30	HPS67-129	Handle		2
31	HPS67-431	Handle Plate		1
33	HPS67-433	Profile Support Table (1700)		1
34	HPS67-434	Nut Plate		1
35	HPS67-435	Clamp		1
36	HPS67-436	Stop Plate		1
37	HPS67-437	Mount Plate (1700)		1
38	HPS67-438	Handle Bolt		2
39	HPS67-439	Bushing		1
40	HPS67-440	Handle		1
42	HPS67-442	Post Block		1
43	HPS67-443	Rod		1
50	HPS67-450	Stud	M10 x 20	4
51	TS-1490021	Hex Head Cap Screw	M8 x 16	1
52	TS-1491041	Hex Head Cap Screw	M10 x 30	1
53	TS-1550071	Flat Washer	M10	1
54	TS-1550061	Flat Washer	M8	10
55	TS-2311081	Hex Nut	M8	4
57	TS-2360121	Flat Washer	M12	2
58	TS-1540081	Hex Nut	M12	2
59	TS-1541021	Nylon Lock Hex Nut	M6	4
62	TS-1482031	Hex Head Cap Screw	M6 x 16	6
63	TS-1504101	Socket Head Cap Screw	M8 x 50	2
64	TS-1504121	Socket Head Cap Screw	M8 x 60	2
65	TS-1550061	Flat Washer	M8	1
66	TS-1541031	Nylon Lock Hex Nut	M8	2
67	HPS67-451	Stud	M8 x 20	6
68	HPS67-452	Self Tapping Screw		4
69	TS-1524031	Socket Set Screw	M8 x 12	2
70	TS-1515031	Flat Head Socket Cap Screw	M8 x 25	1
71	TS-1504031	Socket Head Cap Screw	M8 x 16	14
72	HPS67-453	Washer		1
73	TS-1504041	Socket Head Cap Screw	M8 x 20	5

79	HPS67-479	Post	1
80	HPS67-480	Handle	1
81	HPS67-481	Handle Shaft	1
82	HPS67-482	Cam	1
83	HPS67-483	Clamp Pin	1
84	HPS67-484	Spring	1
85	HPS67-485	Pin	1
86	HPS67-486	Clamp Block	1
87	HPS67-487	Clamp	1

# Sliding Table Assembly



## Parts List: Electrical Components

Index No.	Part No.	Description	Qty
1	HPS67-801	Main Switch	1
2	HPS67-802	Fuse, 10 x 38mm (3.7kw 230V 3Ph 16A)	3
5	HPS67-805	Fuse, 6 x 20mm (0.5A Primary Transformer AM)	1
6	HPS67-806	Fuse, 6 x 20mm (2A Secondary Transformer GL)	1
7	HPS67-807	Fuse Holder	1
8	HPS67-808	Transformer, 230-400-24V 40VA	1
9	HPS67-809	Thermal Overload (9-13A 230V 3.7kw)	1
10	HPS67-810	Thermal Overload (2.8-4.4A 230V, 55kw)	1
11	HPS67-811	Emergency Stop Frame	1
12	HPS67-812	Emergency Stop Electrical Cabinet	1
13	HPS67-813	Micro Switch Saw Cover	1
14	HPS67-814	Start (Saw Motor)	1
15	HPS67-815	Start (Scoring Motor)	1
16	HPS67-816	Star-Delta Switch (3.7kw)	1
17	HPS67-817	Magnetic Starter (3.7kw 230V AB-C12) Saw Motor	1
18	HPS67-818	Magnetic Starter (.55kw 230V AB-C12) Scoring Motor	1