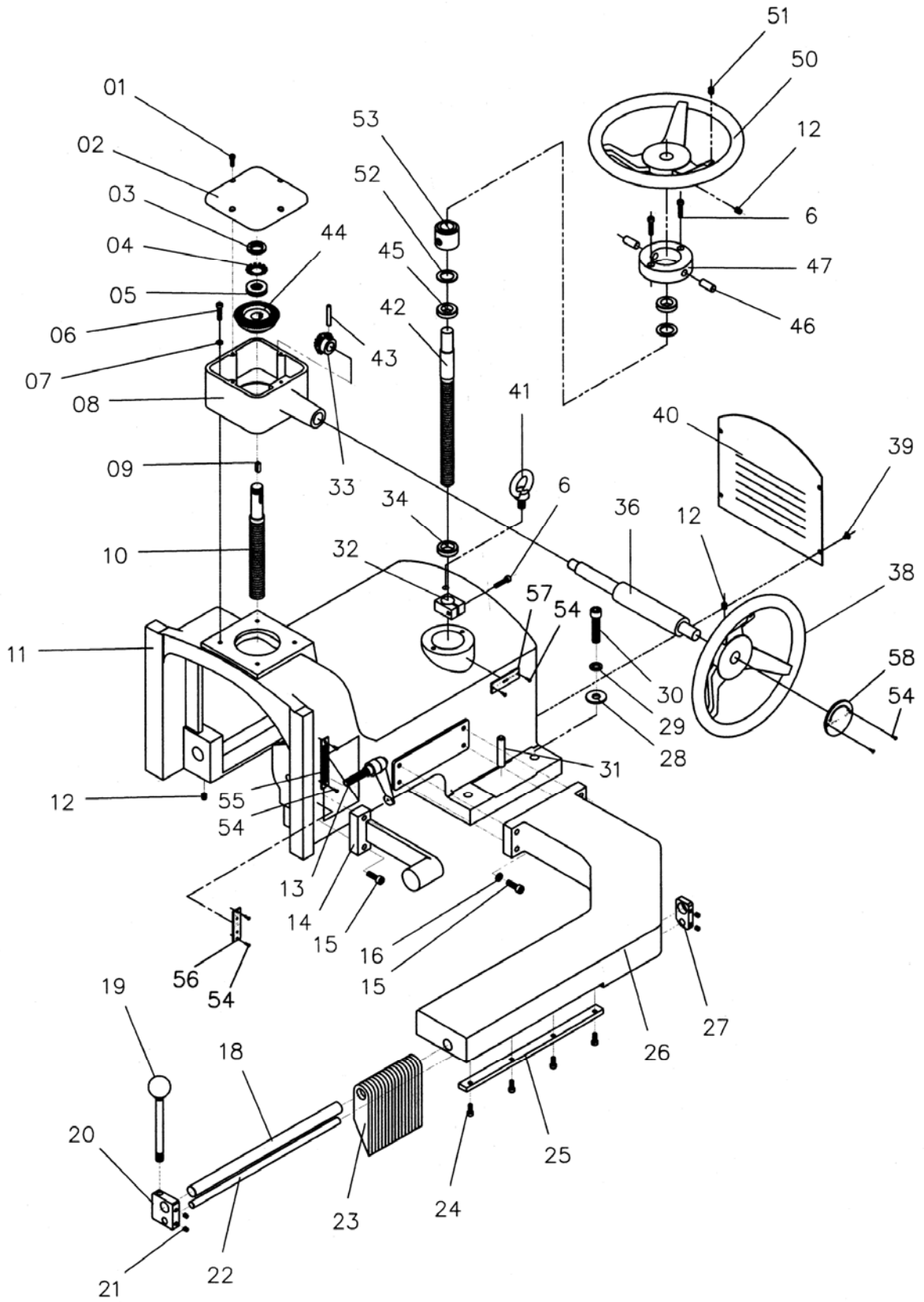


Parts List: Infeed Body Assembly

Index No.	Part No.	Description	Size	Qty
	SLR12-300	Cover Assembly (Items 1 thru 7)		1
	SLR12-100	Gear Box Assembly (Items 1 thru 10, 33, 36 and 43)		1
1	TS-1502041	Socket Head Cap Screw	M5x16	4
2	SLR12-101	Gear Box Cover		1
3	SLR12-102	Bearing Lock Nut	# AN04	1
4	SLR12-103	Bearing Lock Washer	# AW04	15
5	BB-51104	Thrust Bearing	# 51104	1
6	TS-1503071	Socket Head Cap Screw	M6x30	7
7	TS-2361061	Lock Washer	M6	4
8	SLR12-104	Gear Box Housing		1
9	SLR12-105	Key	7x7x18mm	1
10	SLR12-106	Lead Screw (Blade Raising)	TM25-5x160	1
11	SLR12-107	Infeed Body Housing		1
12	TS-1524021	Socket Set Screw	M8x10	6
13	SLR12-108	Locking Handle		1
14	SLR12-109	Bracket		1
15	TS-1504061	Socket Head Cap Screw	M8x30	6
16	TS-1551051	Lock Washer	M8	4
18	SLR12-110	Shaft		1
19	SLR12-111	Knob		1
20	SLR12-112	Handle Block		1
21	TS-1523031	Socket Set Screw	M6x10	4
22	SLR12-113	Shaft		1
23	SLR12-114	Anti-Kickback Finger		37
24	TS-1503061	Socket Head Cap Screw	M6x25	4
25	SLR12-115	Guide Plate		1
26	SLR12-116	Bracket		1
27	SLR12-117	Shaft Block		13
28	TS-2360121	Flat Washer	M12	4
29	TS-2361121	Lock Washer	M12	44
30	TS-1506091	Socket Head Cap Screw	M12x60	4
31	SLR12-118	Taper Pin	# 7	3
32	SLR12-119	Stop Block		1
33	SLR12-120	Small Bevel Gear		1
34	SLR12-121	Spacer		1
36	SLR12-122	Shaft		1
38	SLR12-123	Handwheel	# 250	1
39	TS-1533032	Pan Head Machine Screw	M5x10	4
40	SLR12-124	Cover		1
41	SLR12-125	Lifting Eye Bolt	M12	1
42	SLR12-126	Lead Screw (Tracking)		1
43	SLR12-127	Pin	Φ4x25mm	14
44	SLR12-128	Bevel Gear		1
45	SLR12-129	Spacer		29
46	SLR12-130	Bushing Pin		2
47	SLR12-131	Cover		1
50	SLR12-132	Handwheel	# 200	1
51	TS-0271031	Socket Set Screw	3/8-16x3/8"	1
52	SLR12-133	Collar		2
53	SLR12-134	Bushing		1
54	SLR12-135	Rivet	#3x5	8
55	SLR12-136	Scale		1
56	SLR12-137	Lock Handle Label (Saw Spindle)		1
57	SLR12-138	Handwheel Label (Saw Spindle)		1
58	SLR12-139	Handwheel Label (Press Roller)		1

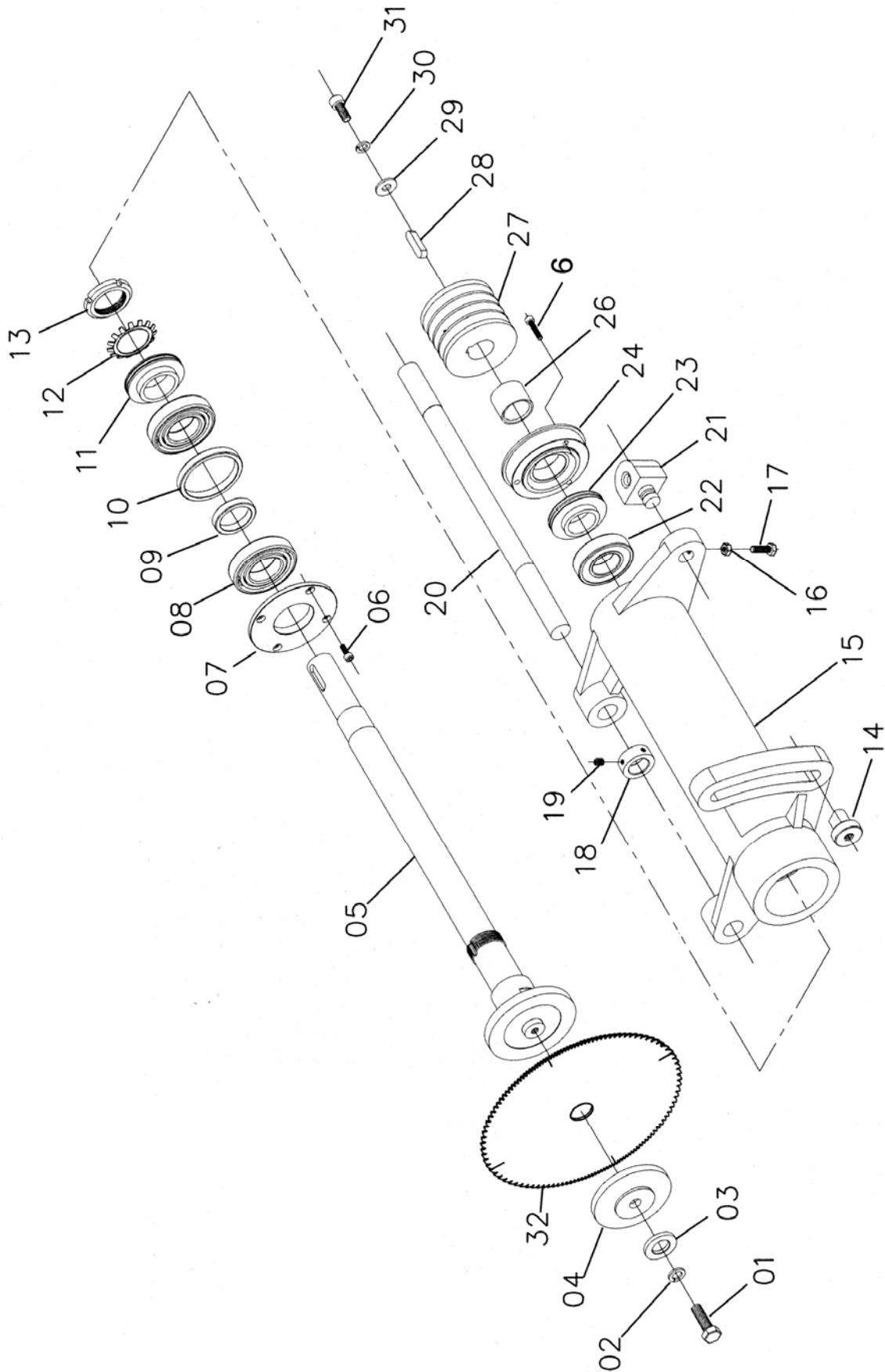
Infeed Body Assembly



Parts List: Arbor Spindle Assembly

Index No.	Part No.	Description	Size	Qty
	SLR12-200	Arbor Spindle Assembly (Items 1 thru 13)		1
1	TS-1492041	Hex Cap Screw	M12x40	1
2	TS-2361121	Lock Washer	M12	14
3	SLR12-201	Arbor Washer		1
4	SLR12-202	Outer Collar		1
5	SLR12-203	Arbor Spindle		1
6	TS-1503071	Socket Head Cap Screw	M6x30	7
7	SLR12-204	Front Cover		1
8	SLR12-BB7208	Ball Bearing	# 7208	2
9	SLR12-205	Spacer (Inner)		1
10	SLR12-206	Spacer (Outer)		1
11	SLR12-207	Spacer, Front		1
12	SLR12-208	Bearing Washer	# AW08	1
13	SLR12-209	Bearing Nut	# AN08	1
14	SLR12-210	Adjustment Nut		1
15	SLR12-211	Arbor Spindle Housing		1
16	TS-1540061	Hex Nut	M8	1
17	TS-1490061	Hex Cap Screw	M8x35	1
18	SLR12-212	Collar Retainer		1
19	TS-1524021	Socket Set Screw	M8x10	2
20	SLR12-213	Pivot Shaft		1
21	SLR12-214	Adjustment Nut		1
22	BB-6207	Ball Bearing	# 6207	1
23	SLR12-215	Rear Spacer		1
24	SLR12-216	Spindle Cover		1
26	SLR12-217	Spacer		1
27	SLR12-218	Spindle Sheave		1
28	SLR12-219	Key	10x8x40mm	1
29	TS-1550071	Flat Washer	M10	1
30	TS-2361101	Lock Washer	M10	1
31	TS-1505031	Socket Head Cap Screw	M10x25	1
32	SLR12-220	Saw Blade	Φ12"x48Tx4W	1
	SLR12-221	Arbor Wrench (not shown)		1
	SLR12-222	T-Wrench (not shown)		1

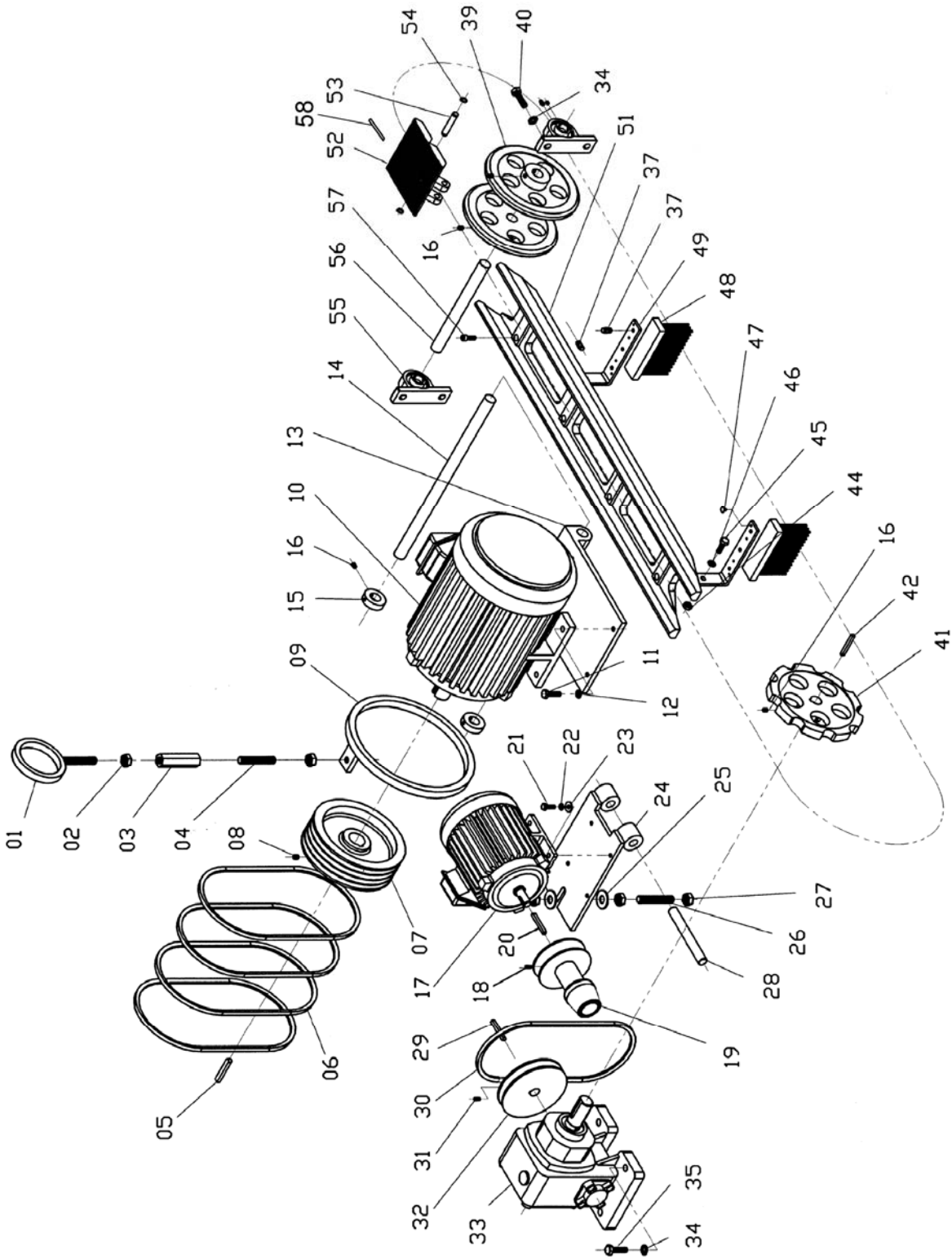
Arbor Spindle Assembly



Parts List: Motor and Drive Unit Assembly

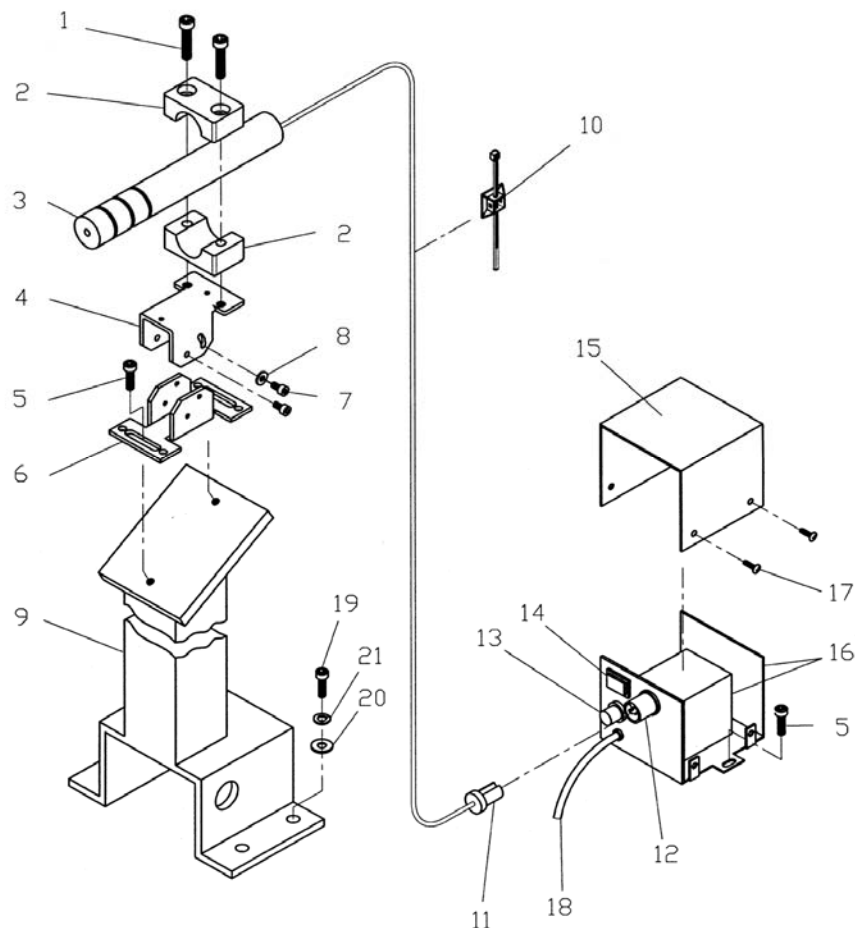
Index No.	Part No.	Description	Size	Qty
1	SLR12-501	Eye-Bolt		1
2	TS-2311161	Hex Nut	M16	2
3	SLR12-502	Adjustment Nut	M16	1
4	SLR12-503	Adjustment Bolt	M16	1
5	SLR12-504	Key	10x8x65	1
6	SLR12-505	V-Belt	A-56	4
7	SLR12-506	Sheave		1
8	TS-1525011	Socket Set Screw	M10x10	2
9	SLR12-507	Adjusting Ring		1
10	SLR12-508	Motor	15HP,230V/460V,3PH	1
11	TS-149105	Hex Cap Screw	M10x35	4
12	TS-2361101	Lock Washer	M10	6
13	SLR12-509	Motor Base		1
14	SLR12-510	Shaft		1
15	SLR12-511	Spacer		2
16	TS-1524021	Socket Set Screw	M8x10	4
17	SLR12-512	Motor	2HP,230V/460V,3PH	1
18	TS-1524041	Socket Set Screw	M8x16	2
19	SLR12-513	Reducer Sheave		1
20	SLR12-514	Key	6x6x60mm	1
21	TS-1490041	Hex Cap Screw	M8x25	4
22	TS-2361081	Lock Washer	M8	4
23	TS-1550061	Flat Washer	M8	4
24	SLR12-515	Motor Base		1
25	TS-2360121	Flat Washer	M12	2
26	SLR12-516	Stud Bolt	M12x100	1
27	TS-1540081	Hex Nut	M12	3
28	SLR12-517	Shaft		1
29	SLR12-518	Key	7x7x40mm	1
30	SLR12-519	V-Belt	1220VB30-22	1
31	TS-1523031	Socket Set Screw	M6x10	2
32	SLR12-520	Reducer Sheave		1
33	SLR12-521	Worm Gear Reducer		1
34	TS-2361121	Lock Washer	M12	4
35	TS-1492041	Hex Cap Screw	M12x40	4
37	SLR12-522	Oil Nozzle	PT1/8"	5
39	SLR12-523	Idle Wheel		2
41	SLR12-524	Sprocket	10T	1
42	SLR12-525	Key	10x8x60mm	1
44	TS-2311101	Hex Nut	M10	2
45	TS-1491041	Hex Cap Screw	M10x30	2
47	TS-0803052	Slotted Round Head Machine Screw	#5-40x5/8"	8
48	SLR12-526	Brush		2
49	SLR12-527	Rail Bracket		2
51	SLR12-528	Rail Body		1
52	SLR12-529	Caterpillar Block		38
53	SLR12-530	Shaft		38
54	SLR12-531	Retaining Ring	C12	76
55	SLR12-532	Ball Bearing Assembly	# UCP205	2
56	SLR12-533	Shaft		1
57	TS-1504051	Socket Head Cap Screw	M8x25	8
58	SLR12-534	Caterpillar Chain Insert		38

Motor and Drive Unit Assembly



Parts List: Laser Assembly (Optional Accessory)

Index No.	Part No.	Description	Size	Qty
.....	SLR12-700	Laser Assembly (Items 1 thru 18)
1.....	TS-1503081	Socket Head Cap Screw	M6 x 35	2
2.....	SLR12-701	Clamp Seat	2
3.....	SLR12-702	Laser	1
4.....	SLR12-703	Adjustment Bracket	1
5.....	TS-1502041	Socket Head Cap Screw	M5 x 16	4
6.....	SLR12-704	Bracket	1
7.....	TS-1501021	Socket Head Cap Screw	M4 x 8	4
8.....	TS-1550021	Flat Washer	M4	2
9.....	SLR12-705	Mounting Bracket	1
10.....	SLR12-706	Cord Holder	6
11.....	SLR12-707	DC Power Connector (Male)	1
.....	SLR12-714	Transformer Assembly (Items 12 thru 18)	2
12.....	SLR12-708	DC Power Connector (Female)	1
13.....	SLR12-709	Fuse	1A	1
14.....	SLR12-710	Power Switch	1
15.....	SLR12-711	Control Box	1
16.....	SLR12-712	Transformer with Base Plate	1
17.....	TS-1531012	Philips Pan Head Machine Screw	M3 x 6	4
18.....	SLR12-713	Power Cord	1
19.....	TS-1504041	Socket Head Cap Screw	M8 x 20	4
20.....	TS-1550061	Flat Washer	M8	4
21.....	TS-2361081	Lock Washer	M8	4

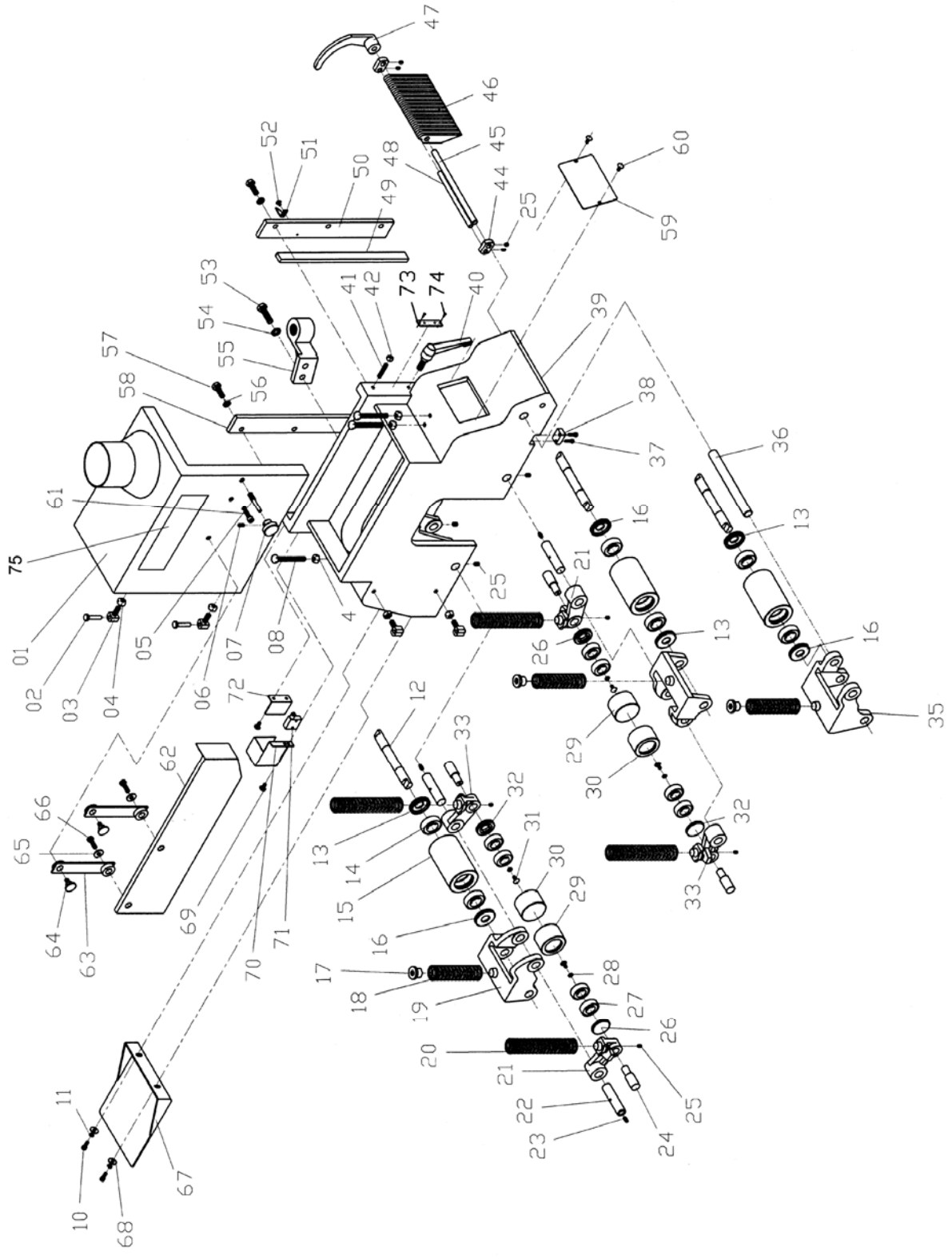


Parts List: Roller and Frame Assembly

Index No.	Part No.	Description	Size	Qty
	SLR12-300	Cover Assembly (Items 1 thru 7)		1
1	SLR12-301	Cover w/ Dust Port		1
2	SLR12-302	Rotation Shaft		2
3	SLR12-303	Special Screw		5
4	TS-1540071	Hex Nut	M10	7
5	SLR12-304	Lock Screw		1
6	TS-1523011	Socket Set Screw	M6x6	1
7	SLR12-305	Knob		1
8	TS-2210801	Hex Cap Screw	M10x80	3
10	TS-1503051	Socket Head Cap Screw	M6x20	2
11	TS-2361061	Lock Washer	M6	2
12	SLR12-306	Shaft		3
13	SLR12-307	Right Bearing Cover		3
14	BB-6204	Ball Bearing	# 6204	6
15	SLR12-308	Roller		3
16	SLR12-309	Left Bearing Cover		3
17	SLR12-310	Spring Seat		3
18	SLR12-311	Spring		3
19	SLR12-312	Arm		2
20	SLR12-313	Spring		4
21	SLR12-314	Arm		2
22	SLR12-315	Shaft		4
23	SLR12-316	Grease Fitting	# 6	4
24	SLR12-317	Shaft		4
25	TS-1523031	Socket Set Screw	M6x10	18
26	SLR12-318	Left Bearing Cover		2
27	BB-6302	Ball Bearing	# 6302	8
28	TS-1550041	Flat Washer	M6	4
29	SLR12-319	Left Roller		2
30	SLR12-320	Right Roller		2
31	TS-2286202	Pan Head Machine Screw	M6x20	4
32	SLR12-321	Right Bearing Cover		2
33	SLR12-322	Left Arm		2
35	SLR12-323	Arm		1
36	SLR12-324	Shaft		1
37	TS-1502041	Socket Head Cap Screw	M5x16	4
38	SLR12-325	Block		2
39	SLR12-326	Roller Housing		1
40	SLR12-327	Locking Handle	M12	1
41	TS-1524061	Socket Set Screw	M8x25	3
42	TS-1540061	Hex Nut	M8	3
44	SLR12-328	Block		2
45	SLR12-329	Shaft		1
46	SLR12-330	Anti-Kickback Fingers		25
47	SLR12-331	Bracket		1
48	SLR12-332	Shaft		1
49	SLR12-333	Slide Plate		1
50	SLR12-334	Lock Bar		1
51	SLR12-335	Needle		1
52	TS-1533032	Pan Head Machine Screw	M5x10	1
53	TS-1492041	Hex Cap Screw	M12x40	2
54	TS-2361121	Lock Washer	M12	2
55	SLR12-336	Bracket		1
56	TS-2361101	Lock Washer	M10	6
57	TS-1491041	Hex Cap Screw	M10x30	6
58	SLR12-337	Lock Bar		1
59	SLR12-338	Cover		1

60	TS-1534042	Pan Head Machine Screw	M6x12	2
61	TS-1504051	Socket Head Cap Screw	M8x25	1
62	SLR12-339	Side Guard		1
63	SLR12-340	Arm		2
64	SLR12-341	Special Screw		2
65	TS-1550061	Flat Washer	M8	2
66	TS-1490041	Hex Cap Screw	M8x25	2
67	SLR12-342	Safety Guard		1
68	TS-1550041	Flat Washer	M6	2
69	TS-1533032	Pan Head Machine Screw	M5x10	4
70	SLR12-343	Cover		1
71	SLR12-344	Limit Switch		1
72	SLR12-345	Bracket		1
73	SLR12-373	Lock Handle Label (Press Roller)		1
74	SLR12-135	Rivet	#3x5mm	2
75	3312341	Powermatic Logo		1

Roller and Frame Assembly

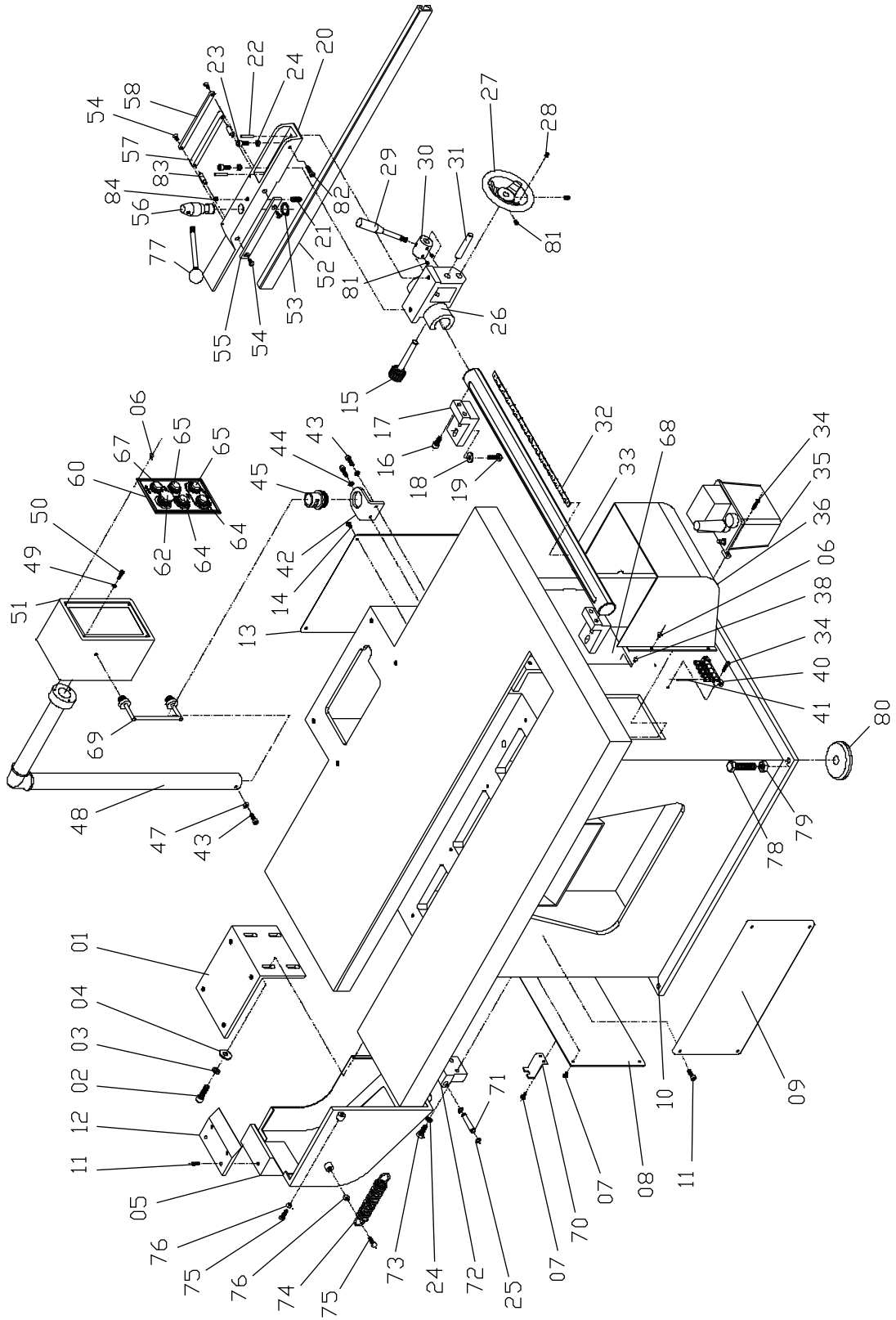


Parts List: Table and Stand Assembly

Index No.	Part No.	Description	Size	Qty
	SLR12-400FAN	Fence Complete Assembly (Index 15, 20-24, 26-31, 52-58, 77, 81-84)		1
1	SLR12-401	Bracket		1
2	TS-1506051	Socket Head Cap Screw	M12x40	4
3	TS-2361121	Lock Washer	M12	4
4	TS-2360121	Flat Washer	M12	4
5	SLR12-402	Cover		1
6	TS-1533032	Pan Head Machine Screw	M5x10	11
7	TS-2248122	Pan Head Machine Screw	M8x12	6
8	SLR12-403	Cover		1
9	SLR12-404	Cover		1
10	SLR12-405	Stand		1
11	TS-1502041	Socket Head Cap Screw	M5x16	8
12	SLR12-406	Cover Plate		1
13	SLR12-407	Cover		1
14	TS-1534042	Pan Head Machine Screw	M6x12	6
15	SLR12-408N	Gear		1
16	TS-1505031	Socket Head Cap Screw	M10x25	4
17	SLR12-409	Bracket		2
18	TS-1550071	Flat Washer	M10	4
19	TS-1505061	Socket Head Cap Screw	M10x40	4
20	SLR12-410	Fence		1
21	SLR12-411	Special Screw		1
22	SLR12-412	Taper Pin	# 7	2
23	TS-1505051	Socket Head Cap Screw	M10x35	2
24	TS-2361101	Lock Washer	M10	4
25	SLR12-413	Retaining Ring	C12	2
26	SLR12-414N	Gear Box		1
27	SLR12-415	Handwheel	# 150	1
28	TS-0271031	Socket Set Screw	3/8"-16x3/8"	2
29	SLR12-416N	Knob Handle		1
30	SLR12-417N	Setting Block		1
31	SLR12-418N	Shaft		1
32	SLR12-419	Scale		1
33	SLR12-420	Gear Column		1
34	TS-1503051	Socket Head Cap Screw	M6x20	4
35	SLR12-421	Oil Reservoir		1
36	SLR12-422	Cover		1
40	SLR12-423	Oil Reservoir Contactor		1
41	SLR12-424	Oil Tube	O.D. 4x2.5 mm	5
42	SLR12-425	Control Panel Bracket		1
43	TS-1504051	Socket Head Cap Screw	M8x25	3
44	TS-1550061	Flat Washer	M8	2
45	SLR12-426	Rotation Seat		1
47	TS-1540061	Hex Nut	M8	1
48	SLR12-427	Control Panel Arm		1
49	TS-2361061	Lock Washer	M6	3
50	TS-1503061	Socket Head Cap Screw	M6x25	3
51	SLR12-428	Control Panel		1
52	SLR12-429	Side Plate		1
53	SLR12-430	Retaining Ring	C25	1
54	TS-2286201	Phillips Flat Head Machine Screw	M6x20	4
55	SLR12-431	Clamping Strip		1
56	SLR12-432	Lock Lever		1
57	SLR12-433	Clamp		1
58	SLR12-434	Cover		1
60	SLR12-436	Panel		1

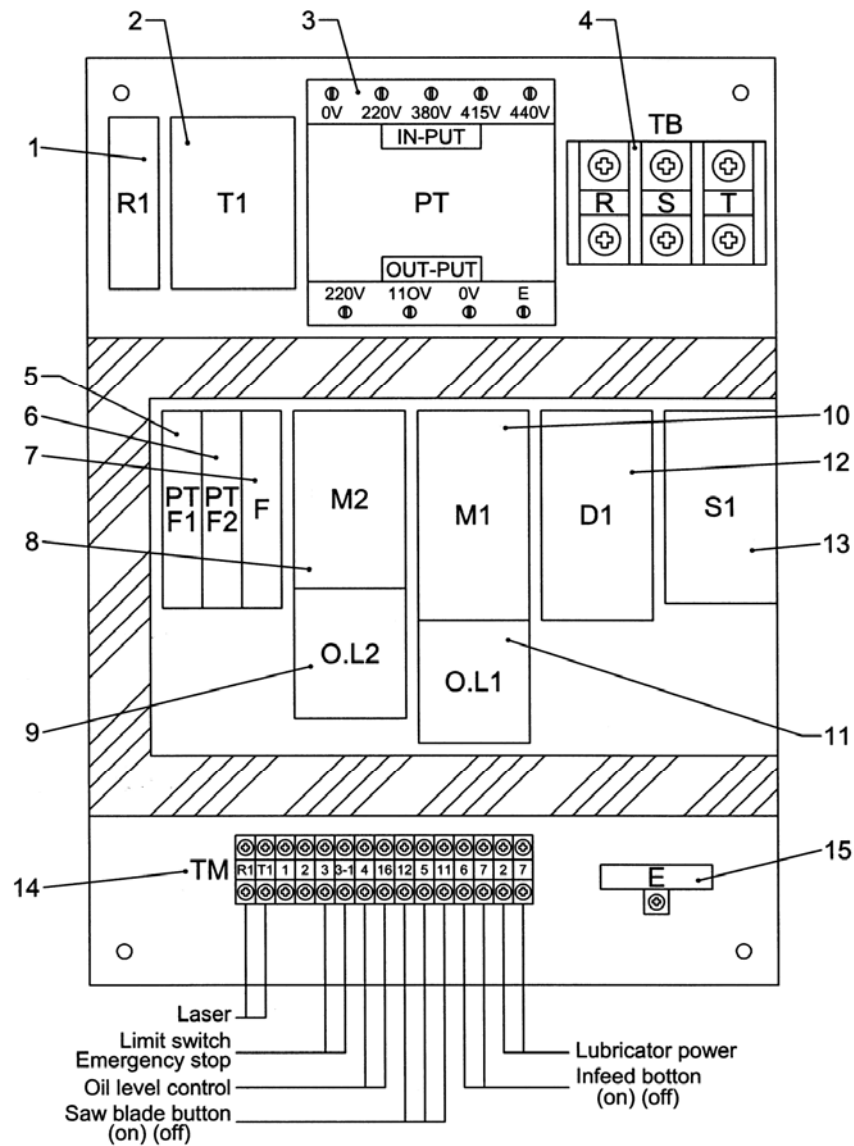
Index No.	Part No.	Description	Size	Qty
62	SLR12-437	Emergency Stop Button		1
64	SLR12-438	Start Button		2
65	SLR12-440	Stop Button		2
67	SLR12-442	Start Button, Power On		1
68	SLR12-443	Electrical Control Assembly		1
69	SLR12-444	Handle		2
70	SLR12-445	Bracket		1
71	SLR12-446	Shaft		1
72	SLR12-447	Bracket		1
73	TS-1491061	Hex Cap Screw	M10x40	2
74	SLR12-448	Spring		1
75	TS-1490061	Hex Cap Screw	M8x35	2
76	TS-1540061	Hex Nut	M8	2
77	SLR12-449	Knob Handle		1
78	SLR12-450	Leveling Screw	M16x80	4
79	TS-2311161	Hex Nut	M16	4
80	SLR12-451	Foot Pad		4
81	TS-1524021	Socket Set Screw	M8 x10	4
82	TS-1523031	Socket Head Cap Screw	M6 x10	1
83	SLR12-483	Clamping Shaft		2
84	TS-1525031	Socket Set Screw	M10 x16	1

Table and Stand Assembly

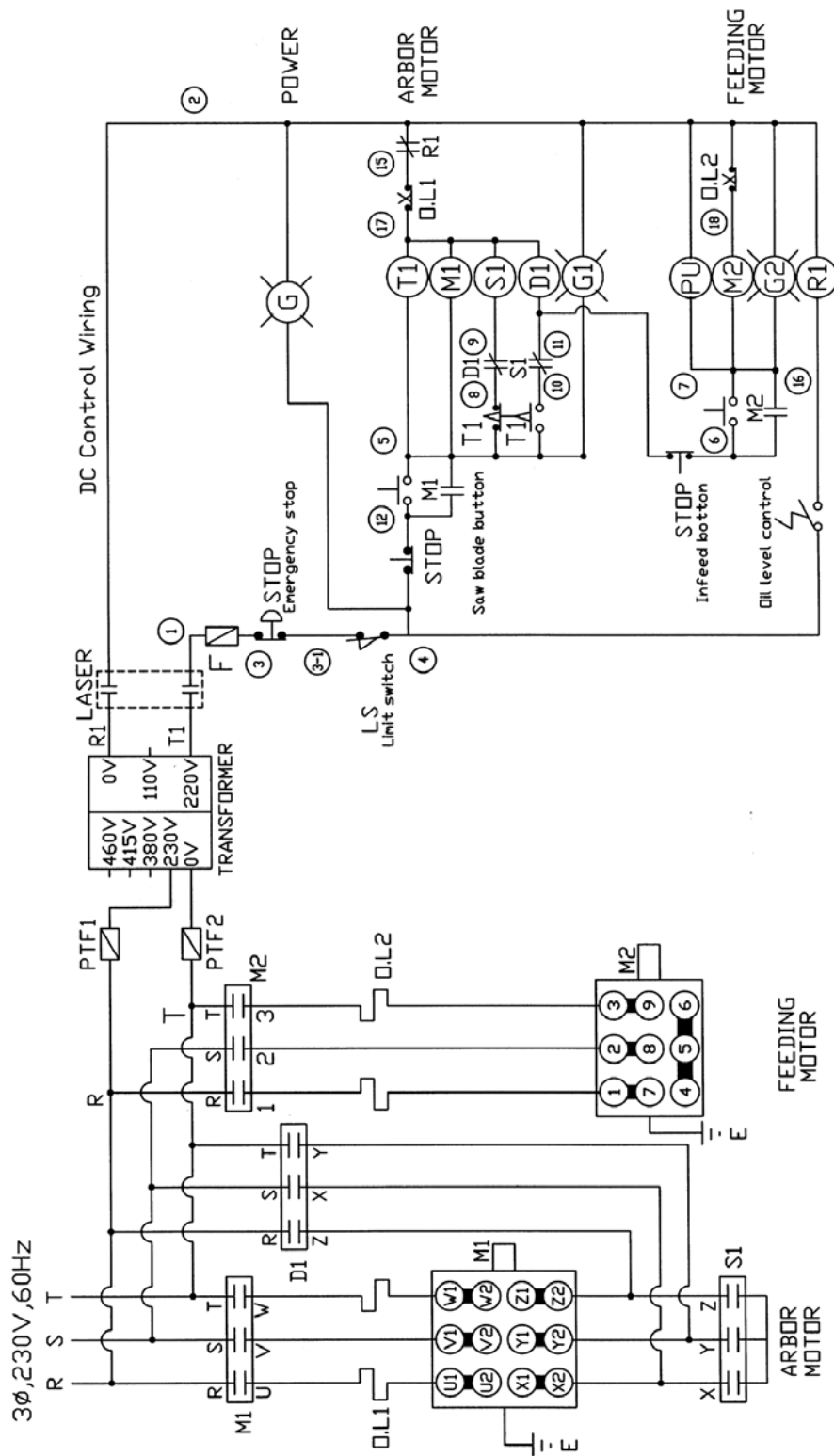


Parts List: Electrical Control Panel (SLR12-443)

Index No.	Part No.	Description	Size	Qty
1	SLR12-601	Control Relay	R1	1
2	SLR12-602	Timer	T1	1
3	SLR12-603	Transformer	PT	1
4	SLR12-604	Terminal Plate	TB	1
5	SLR12-605	Fuse	PTF1	1
6	SLR12-606	Fuse	PTF2	1
7	SLR12-607	Fuse	F	1
8	SLR12-608	Switch	M2	1
9	SLR12-609	Overload	OL2	1
10	SLR12-610	Switch	M1	1
11	SLR12-611	Overload	OL1	1
12	SLR12-612	Switch	D1	1
13	SLR12-613	Switch	S1	1
14	SLR12-614	Terminal	TM	1
15	SLR12-615	Grounding Block	G	1



Electrical Connections – 3 Phase, 230V, 60Hz



Electrical Connections – 3 Phase, 460V, 60Hz

