

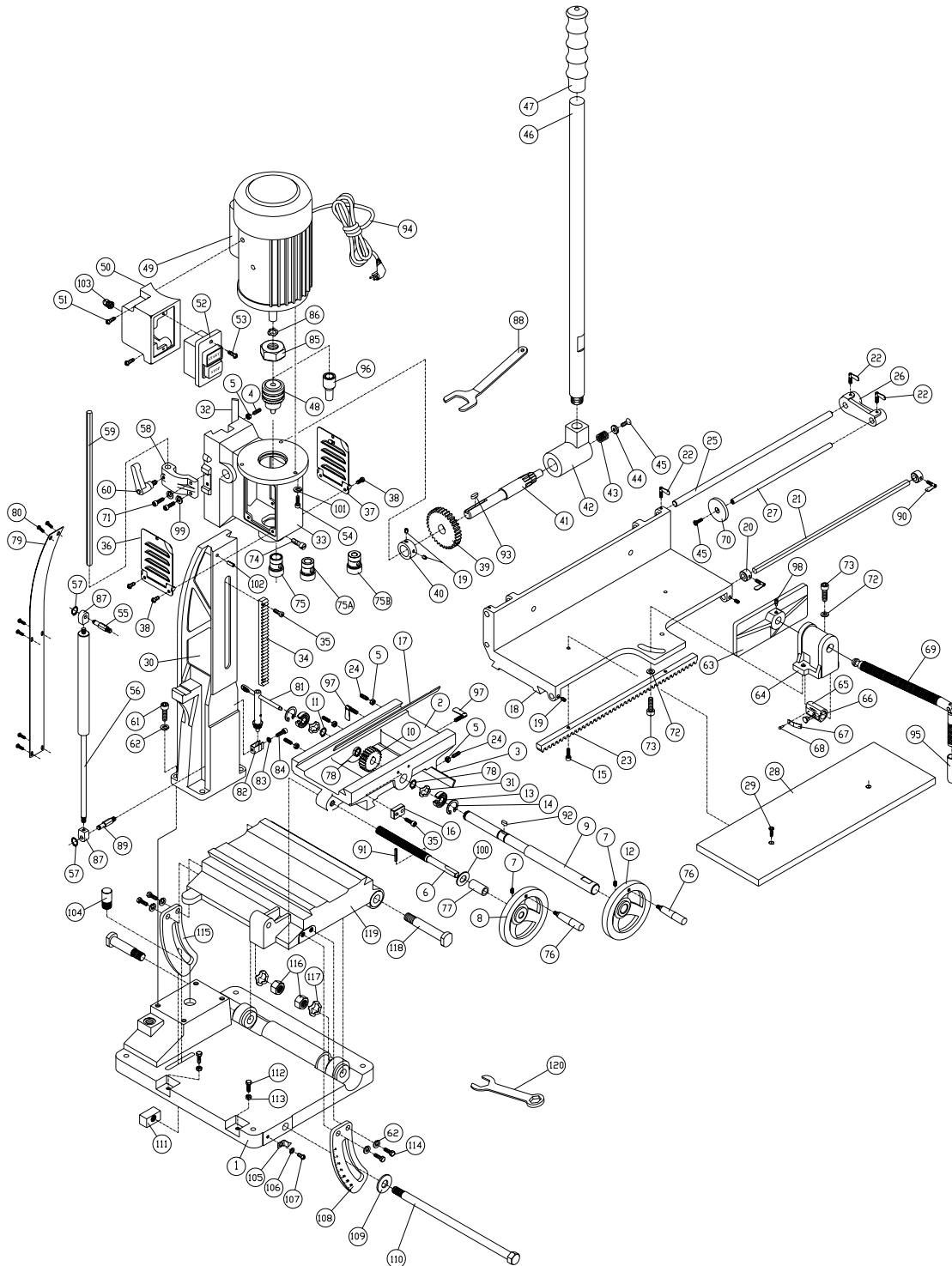
## 719T Mortiser Parts List

Index No.	Part No.	Description	Size	Qty
	2474002T	719T Mortiser Assy (Items 1 thru 120)		1
1	719T-101	Fixed Base		1
2	6294125	Base, Middle		1
3	6294126	Gib		1
4	TS-1523061	Socket Set Screw	M6×20	3
5	TS-1540041	Hex Nut	M6	9
6	6294129	Lead Screw		1
7	TS-1523031	Socket Set Screw	M6×10	4
8	6294131	Hand wheel		1
9	6294132	Shaft		1
10	6294133	Gear		1
11	6294134	C-Clip		1
12	6294135	Hand wheel		1
13	BB-6002ZZ	Bearing	6002ZZ	2
14	6294137	C-Clip		2
15	TS-1503041	Socket Head Cap Screw	M6×16	2
16	6294139	Stop Block		1
17	6294140	Gib		1
18	6294141	Main Table		1
19	TS-1523011	Socket Set Screw	M6×6	4
20	6294143	Setting Collar		2
21	6294144	Setting Rod		1
22	6294145	Wing Screw	M6×16	3
23	6294146	Rack		1
24	TS-1523071	Socket Set Screw	M6×25	6
25	6294148	Rear Length Setting Rod		1
26	6294149	Setting Length Block		1
27	6294150	Front Length Setting Rod		1
28	6294151	Wooden Table Insert		1
29	TS-2286201	Machine Screw, Flat Head, Phillips	M6×20	2
30	719T-130	Column		1
31	6294154	Wave Washer		2
32	6294155	Gib		1
33	6294156	Headstock		1
34	719T-134	Rack		1
35	TS-1503031	Socket Head Cap Screw	M6×12	4
36	6294159	Left Side Cover		1
37	6294160	Right Side Cover		1
38	TS-1533042	Machine Screw, Pan Head, Phillips	M5×12	4
39	6294162	Gear		1
40	6294163	Collar		1
41	6294164	Gear Shaft		1
42	6294165	Handle Hub		1
43	6294166	Spring		1
44	6294167	Washer		1
45	TS-1514021	Socket Head Flat Screw	M6×16	2
46	6294169	Handle		1
47	6294170	Handle Grip		1
48	6294171	Chuck	1/2" & Key	1
49	6294172	Motor, 1HP, 1PH, 115/230V		1
50	6294173	Switch Box		1
51	TS-081C052	Machine Screw, Pan Head, Phillips	#10-24 × 3/4	2
52	6294175	Switch		1
53	TS-0749042	Tapping Screw, Pan Head, Phillips	#8 × 5/8	2
54	TS-1503051	Socket Head Cap Screw	M6×20	3
55	6294178	Upper Cylinder Fitting		1
56	719T-156	Hydraulic Cylinder		1

Index No.	Part No.	Description	Size	Qty
57	6294180	C-Clip		2
58	6294181	Depth Setting Block		1
59	719T-159	Depth Setting Rod		1
60	6294183	Universal Handle		1
61	TS-1505041	Socket Head Cap Screw	M10×30	4
62	TS-2361101	Lock Washer	M10	8
63	6294186	Clamping Jaw		1
64	6294187	Clamping Block		1
65	6294188	Rapid Nut		1
66	6294189	Friction Toe		1
67	6294190	Spring		1
68	6294191	Rivet		1
69	6294192	Locking Screw		1
70	6294193	Stop Disc		1
71	TS-1504051	Socket Head Cap Screw	M8×25	2
72	TS-1550061	Flat Washer	M8	2
73	TS-1504061	Socket Head Cap Screw	M8×30	2
74	6294197	Chisel Locking Screw		1
75	6294198	Bushing	1-1/8"	1
75A	6294221	Bushing	3/4"	1
75B	6294222	Bushing	5/8"	1
76	6294199	Wheel Handle		2
77	6294200	Collar		1
78	6294201	E-Clip		2
79	6294202	Back Cover		1
80	TS-1532032	Machine Screw, Pan Head, Phillips	M4 × 10	6
81	6294204	Chuck Key		1
82	6294205	Chuck Key Holder		1
83	TS-2361051	Lock Washer	M5	1
84	TS-1502011	Socket Head Cap Screw	M5 × 8	1
85	6294208	Chuck Release Nut		1
86	6294209	Wave Washer		1
87	6294240	Cylinder Holder		2
88	6294211	Wrench (Chuck Removal)		1
89	6294212	Lower Cylinder Fitting		1
90	6294213	Wing Screw	M6 × 8	2
91	6294214	Roll Pin		1
92	6294215	Key	5 × 5 × 10	1
93	6294216	Key	5 × 5 × 12	1
94	6294217	Power Cord		1
95	6294223	Plastic Handle Sleeve		1
96	3005069	Chuck Extension Adaptor		1
97	JWP15-065	Wing Screw	M6×25	2
98	TS-0267051	Socket Set Screw	1/4-20 × 1/2	2
99	TS-2361081	Lock Washer	M8	2
100	TS-2360121	Flat Washer	M12	1
101	TS-2361061	Lock Washer	M6	3
102	6294243	Roll Pin	M6 × 16	1
103	6294244	Cord Strain Relief		1
104	719T-1104	Pin		1
105	719T-1105	Pointer		1
106	TS-1550041	Flat Washer	M6	1
107	TS-1534032	Machine Screw, Pan Head, Phillips	M6 x 10	1
108	719T-1108	Tilting Bracket		1
109	TS-155010	Flat Washer	M16	1
110	719T-1110	Shaft		1
111	719T-1111	Square Nut		1
112	TS-1490051	Hex Cap Screw	M8 x 30	2
113	TS-1540061	Hex Nut	M8	2

Index No.	Part No.	Description	Size	Qty
114	TS-1491021	Hex Cap Screw	M10 x 20	4
115	719T-1115	Tilting Bracket		1
116	TS-2342161	Hex Nut, Nylon Lock	M16	2
117	719T-1117	Wave Washer		2
118	719T-1118	Bolt		2
119	719T-1119	Tilting Base		1
120	719T-1120	Box Wrench	23mm	1

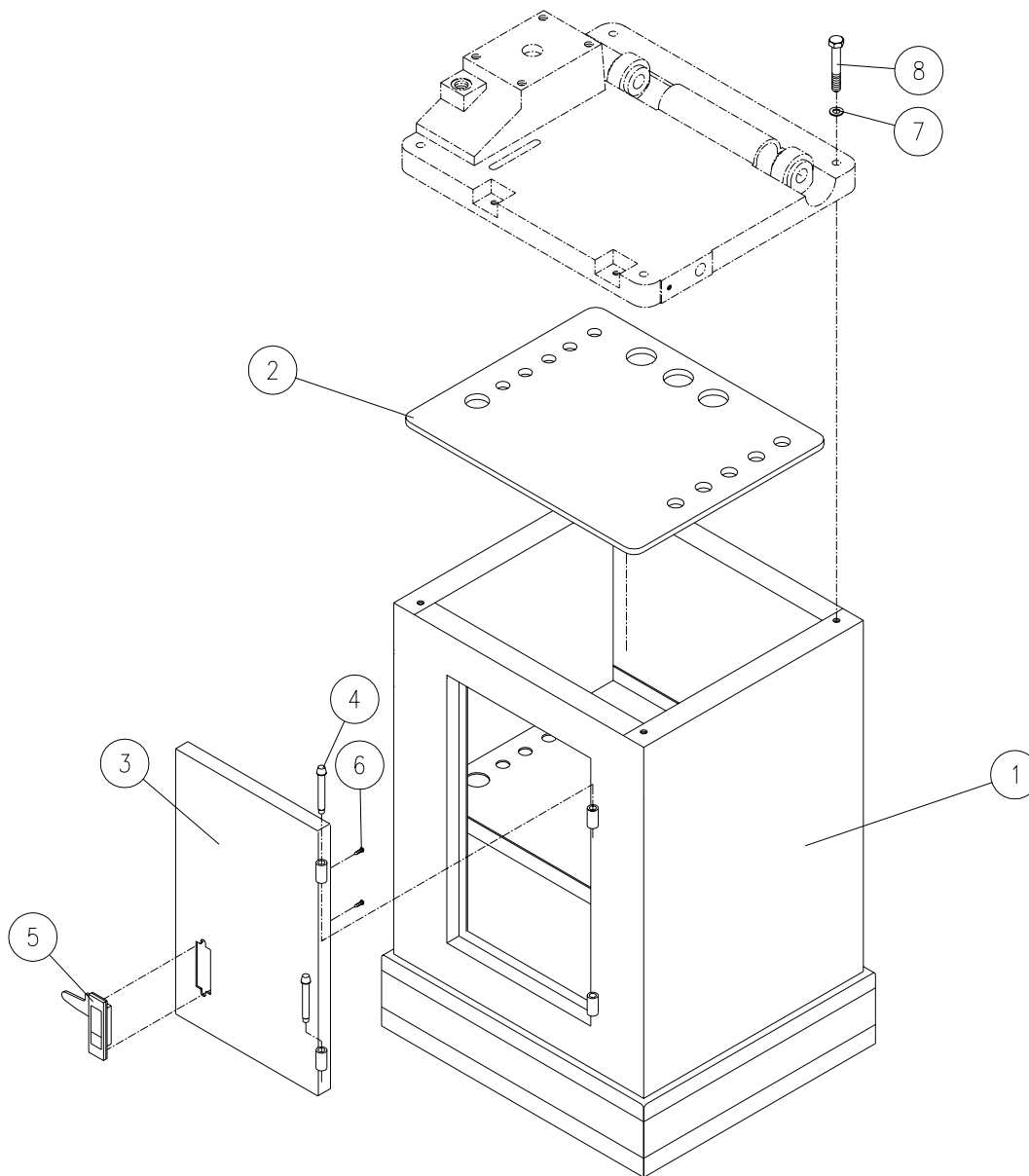
## 719T Mortiser Assembly



## 719T Mortiser Stand Parts List

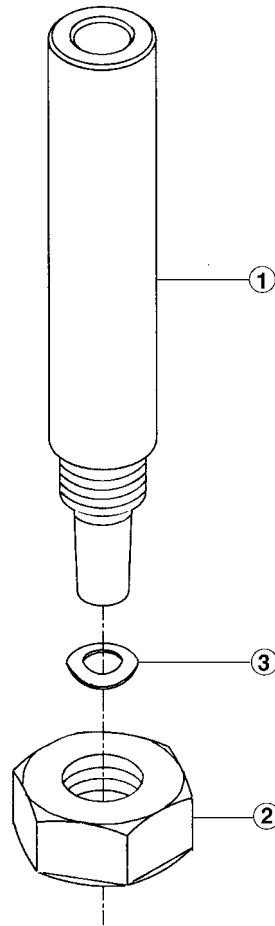
Index No.	Part No.	Description	Size	Qty
.....	6294235T	Stand Assembly (Items 1 thru 8)		1
1	719T-201	Stand		1
2	719T-202	Shelf Cushion		1
.....	6294236	Door Assembly (Items 3 thru 6)		1
3	6294226	Door		1
4	6294227	Pin		2
5	6294228	Door Latch		1
6	TS-2171012	Machine Screw, Pan Head, Phillips	M4 x 6	2
7	TS-2361081	Lock Washer	M8	4
8	TS-1490081	Hex Cap Screw	M8 x 45	4

## 719T Mortiser Stand Assembly



## Optional Accessories

Index No.	Part No.	Description
	6294232	Chuck Extension Adaptor Kit (Items 1 thru 3)
1	6294210	Drill Adaptor Shaft
2	6294208	Chuck Release Nut
3	6294209	Spring Washer
4	6285526	Chisel & Bit, 1/4"
5	6285527	Chisel & Bit, 5/16"
6	6285528	Chisel & Bit, 3/8"
7	6285529	Chisel & Bit, 1/2"
8	6294245	Chuck & Key, 1/2"
9	6294198	Drill Bushing, 1-1/8"
10	6294221	Drill Bushing, 3/4"
11	6294222	Drill Bushing, 5/8"



**POWERMATIC®**

**WMH Tool Group**  
 2420 Vantage Drive  
 Elgin, Illinois 60123  
 Phone: 800-274-6848  
[www.wmhtoolgroup.com](http://www.wmhtoolgroup.com)