

EDGE SANDER

Model 6108

Instruction Manual & Parts List

M-0460222



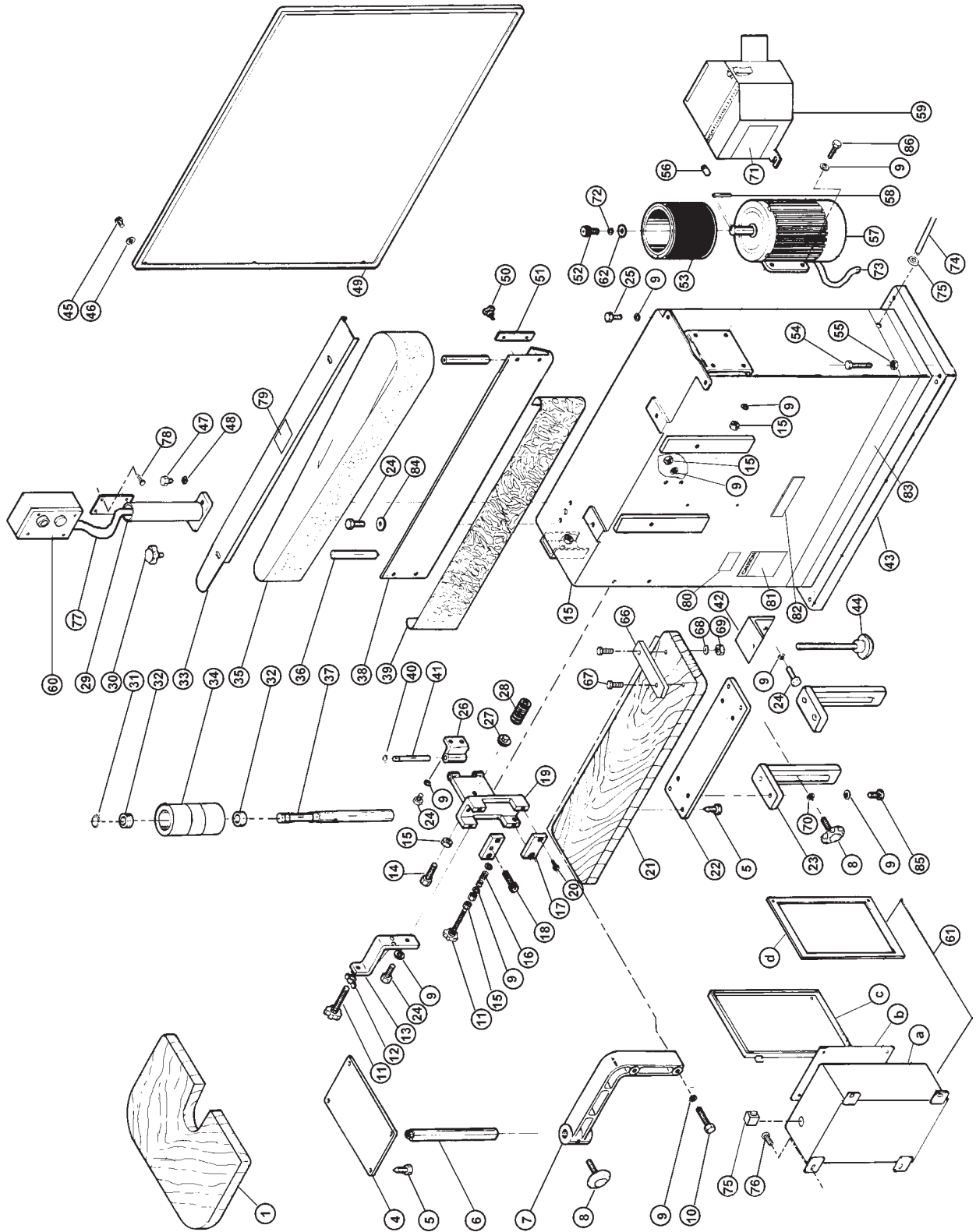
POWERMATIC®

(800) 274-6848
www.powermatic.com

PARTS LIST: Model 6108 Edge Sander

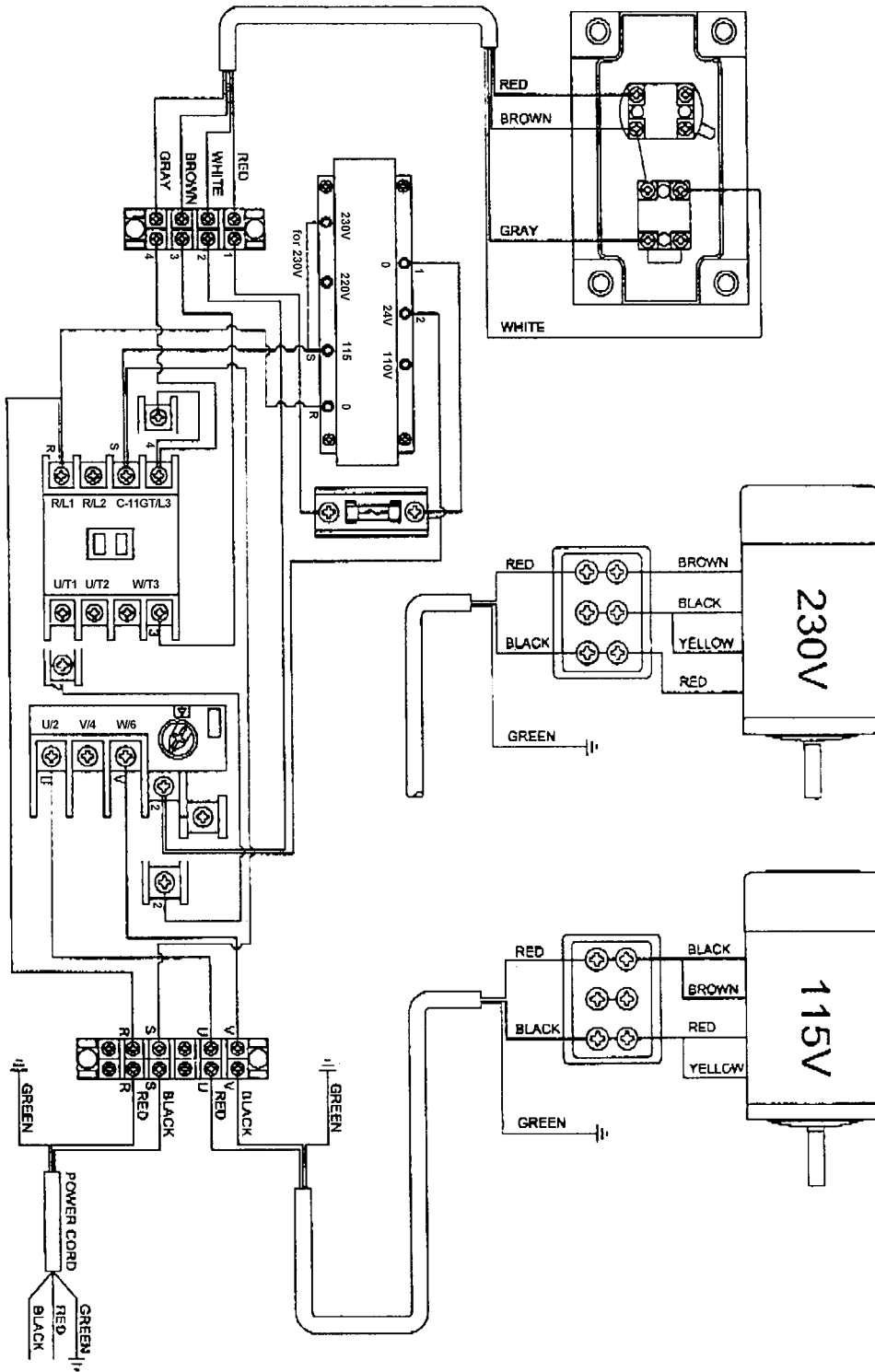
NO.	PART NO.	DESCRIPTION	NO.	PART NO.	DESCRIPTION
1	6294030	TABLE, END	48	6294075	WASHER, 5/16"
4	6294031	PLATE, STEEL END	49	6294076	COVER, BACK
5	6294032	SCREW, HEX. HD. WOOD, 1/4-20 X 1-1/4	50	6294077	SCREW, WING, 1/4-20 X 5/8"
6	6294033	BAR, SUPPORT	51	6294078	PIECE, CLAMPING
7	6294034	SUPPORT, TABLE	52	6294079	SCREW, SOC. HD. CAP, 5/16-18 X 1"
8	6294035	KNOB	53	6294080	WHEEL, CONTACT
9	6294036	WASHER, 3/8"	54	6294081	SCREW, HEX HD., 1/2-12 X 2-1/2"
10	6294037	SCREW, HEX HD. 3/8-16 X 1-1/2"	55	6294082	NUT, HEX 1/2"
11	6294038	KNOB	56	6294083	SCREW, SET, 5/16-18 X 3/8"
12	6294039	NUT, WING	57	6294084	MOTOR, 2 HP, 3 PH
13	6294040	HOLDER, SPRING		6294085	MOTOR, 1-1/2 HP, 1 PH
14	6294041	SCREW, HEX HD. 3/8-16 X 1-5/8"	58	6294086	KEY
15	6294042	NUT, HEX 3/8	59	6294087	HOOD, DUST
16	6294043	SPRING	60	6294088	ASSEMBLY, PUSH BUTTON
17	6294044	PLATE, COVER	61	6294089	BOX, SWITCH
18	6294045	BOLT, SOC. HD. CAP, 5/16-18 X 2"	62	6294090	WASHER
19	6294046	HOLDER, IDLER PULLEY	63	6294091	CONTACTOR w/ THERMAL OVERLOAD RELAY (2 HP)
20	6294047	SCREW, SOC. HD. CAP, 1/4-20 X 5/8"	64	6294092	CONTACTOR w/ THERMAL OVERLOAD RELAY (1-1/2 HP)
21	6294048	TABLE, FRONT	65	6294093	TRANSFORMER 115/230V
22	6294049	PLATE, FRONT STEEL		6294122	TRANSFORMER 230/460V
23	6294050	ANGLE, TABLE	66	6294115	STOP, WORK
24	6294051	SCREW, HEX HD., 3/8-16 X 1"	67	6294116	SCREW, HEX HD 5/16-18 X 2-1/2"
25	6294052	SCREW, HEX HD., 3/8-16 X 5/8"	68	6294117	WASHER, 5/16"
26	6294053	HOLDER, HINGE	69	6294118	NUT, HEX 5/16"
27	6294054	BLOCK, SPRING ADJUSTING	70	6294119	WASHER, 1/2"
28	6294055	SPRING	71	6294120	LABEL, DIRECTION
29	6294056	SUPPORT, SWITCH	72	6294121	WASHER, SPRING, 5/16"
30	6294057	BOLT, KNOB	73	6294101	WIRE, MOTOR
31	6294058	RING, RETAINING	74	6294102	CORD, POWER
32	6294059	BEARING, #6205-LB	75	6294103	PROTECTOR, WIRE
33	6294060	GUARD, SAFETY	76	6294104	SCREW, SOC. HD. CAP, 1/4-24 X 3/8"
34	6294061	PULLEY	77	6294105	WIRE
35	6294062	BELT, ABRASIVE	78	6294106	SCREW, ROUND HD., 3/16-24 X 5/8"
36	6294063	SUPPORT, GUARD	79	6294107	LABEL, WARNING
37	6294064	SHAFT, PULLEY	80	6294108	CARD, I.D.
38	6294065	PLATEN, STEEL	81	6294109	LABEL, CAUTION
39	6294066	GRAPHITE	82	6294110	LABEL, LOGO
40	6294067	RING, RETAINING	83	6294111	STRIPE, COLOR
41	6294068	SHAFT, HINGE	84	6294112	WASHER, 3/8"
42	6294069	ANGLE, SUPPORT	85	6294113	SCREW, HEX HD., 3/8-16 X 3/4"
43	6294070	BASE	86	6294114	SCREW, HEX HD., 3/8-16 X 2-1/4"
44	6294071	KNOB, TABLE ADJUSTING			
45	6294072	SCREW, HEX HD., 1/4-20 X 3/8"			
46	6294073	WASHER, 1/4"			
47	6294074	SCREW, HEX HD., 5/16-18 X 5/8"			

EXPLODED VIEW: Model 6108 Edge Sander



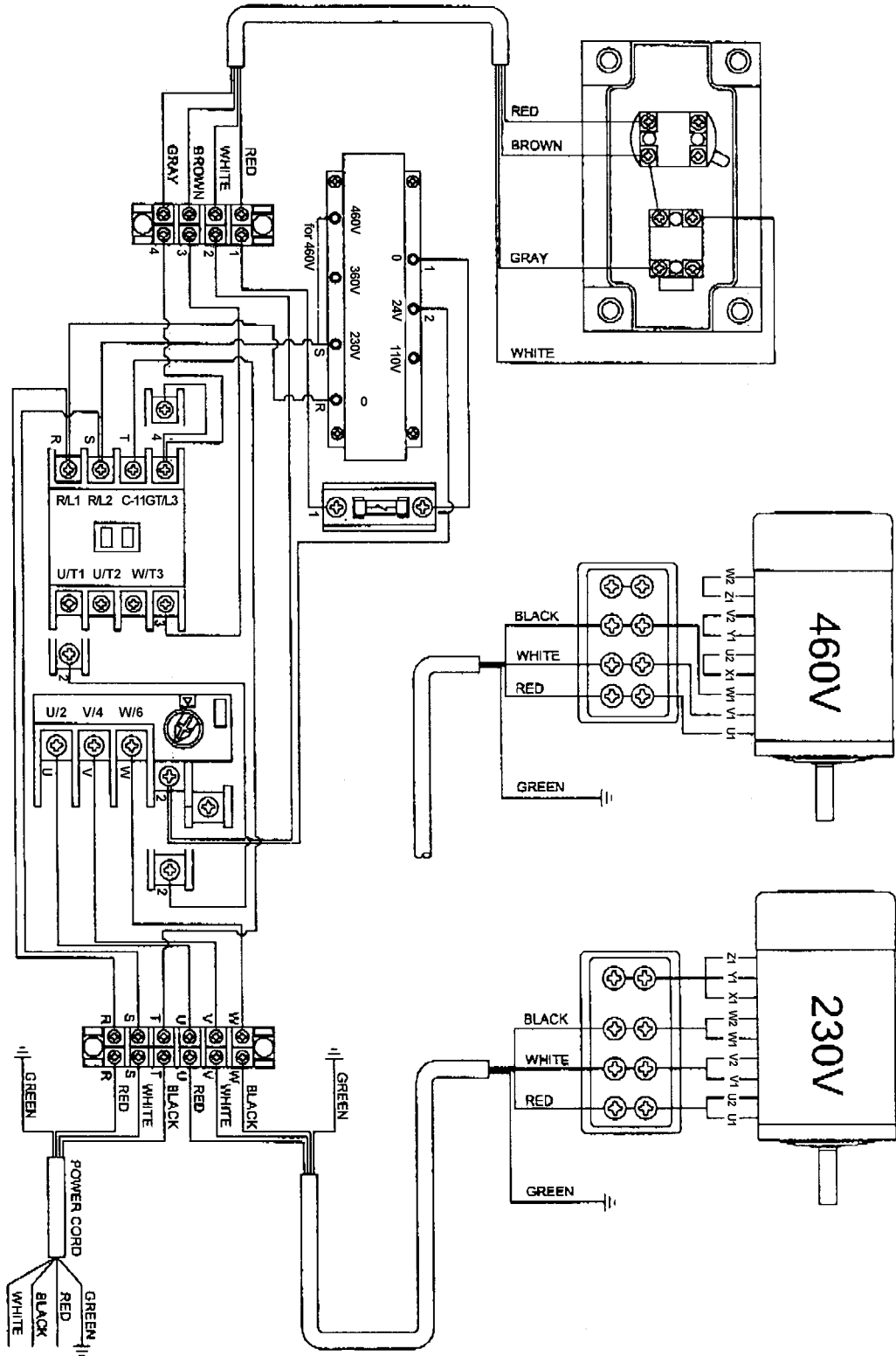
ELECTRICAL SCHEMATIC (6108 Edge Sander)

115V/230V, 1 Phase



ELECTRICAL SCHEMATIC (6108 Edge Sander)

230/460V, 3 Phase



OPTIONAL ACCESSORIES

6294094	Abrasive Belt, 6" x 108", 40 Grit.
6294095	Abrasive Belt, 6" x 108", 60 Grit.
6294096	Abrasive Belt, 6" x 108", 80 Grit.
6294062	Abrasive Belt, 6" x 108", 100 Grit.
6294098	Abrasive Belt, 6" x 108", 120 Grit.
6294099	Abrasive Belt, 6" x 108", 150 Grit.
6294100	Abrasive Belt, 6" x 108", 200 Grit.