

POWERMATIC®

WMH TOOL GROUP

Operating Instructions and Parts Manual

24" Wood Lathe

Model: 4224



WMH Tool Group
2420 Vantage Drive
Elgin, Illinois 60123
Phone: 800-274-6848
www.wmhtoolgroup.com

Part Number: M-0460228
Revision B 11/03
Copyright © WMH Tool Group

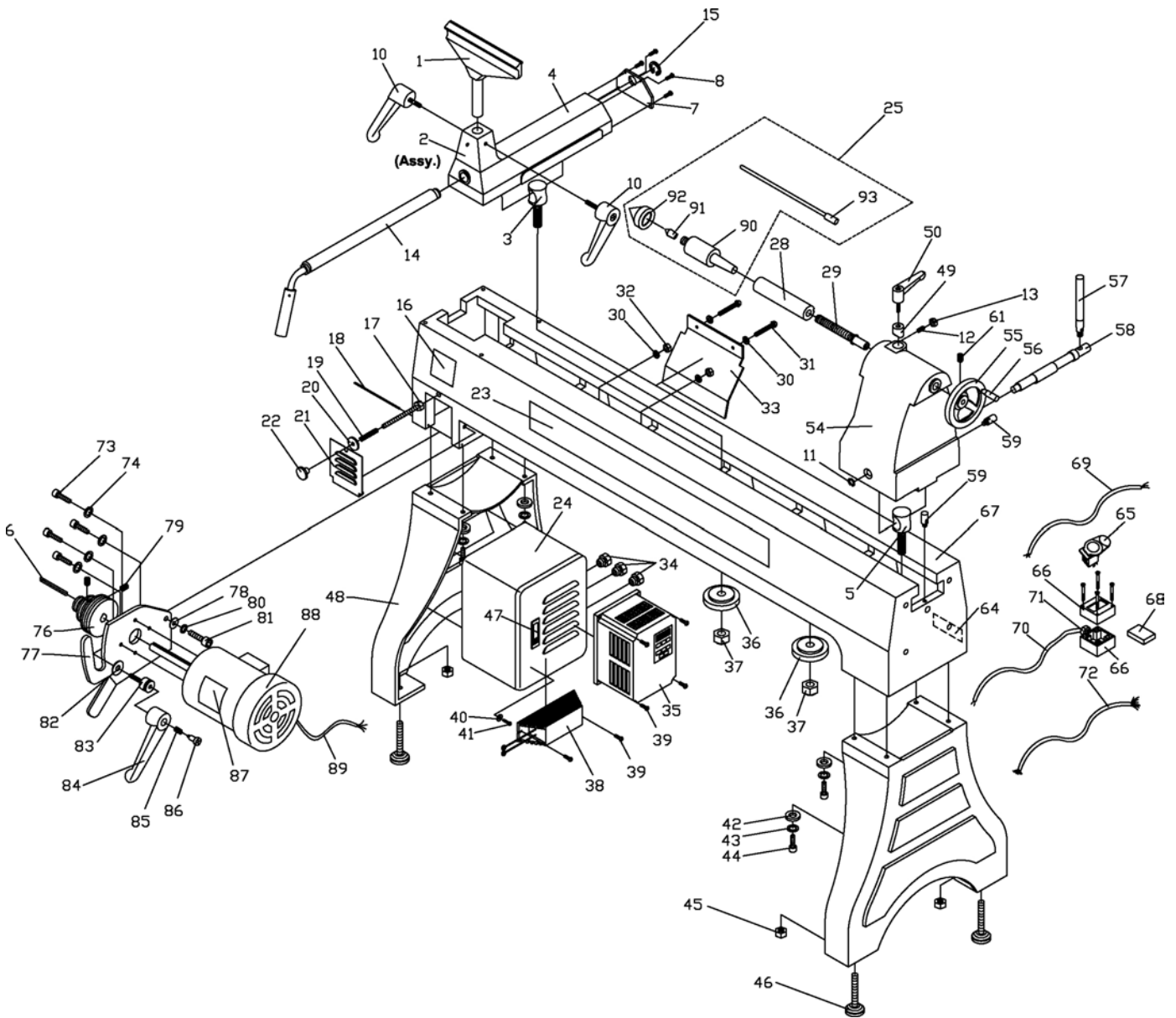
PARTS LIST: Stand & Bed Assembly (4224 Lathe)

No.	Part No.	Description	Quantity
1	6294742	Tool Support, 14".....	1
2	6294753	Tool Support Assembly (Items 3 thru 10, 14, 15, 36, 37).....	1
3	6295851	Tool Support Clamp Bolt (4224).....	2
4	6295917	Base Tool Support.....	1
5	4224-105	Tailstock Clamp Bolt.....	1
6	6294761	Key, 6 x 6 x 45.....	1
7	6295702	End Cover.....	1
8	6295703	Socket Head Cap Screw, 10-24 x 5/8".....	4
9	6294764	Support Shaft.....	1
10	6294763	Tool Support Handle.....	2
11	6295919	C-Ring.....	2
12	6295922	Socket Set Screw (Special), 1/4-20 x 1.....	1
13	TS-0561011	Hex Nut, 1/4-20.....	1
14	6295709A	Tool Support Rod.....	1
15	6295710	C-Ring, S-25.....	1
16	6294773	Warning Label.....	1
17	6295712	Hex Head Screw.....	1
18	6295713	Pin.....	1
19	6295714	Spring.....	1
20	6295715	Washer.....	1
21	6295716	Motor Pulley Door.....	1
22	6295717	Knob.....	1
23	6294774	Powermatic Label.....	1
24	6295719	Inverter Box.....	1
25	6295902	Live Center Assembly.....	1
28	6295723	Tailstock Spindle.....	1
29	6295724	Lead Screw.....	1
30	6295725	Washer.....	4
31	6295726	Socket Head Cap Screw.....	2
32	6295727	Nut.....	2
33	6295728	Chipbreaker.....	1
34	6295729	Strain Relief.....	3
35	6295730	Inverter.....	1
36	6294770	Clamp.....	2
37	TS-0650081	Lock Nut, 3/4-10.....	2
38	6295733	Braking Resistor.....	1
39	6295734	Round Head Screw, 10-24 x 5/16.....	6
40	6295735	Washer, #10.....	6
41	6295736	Socket Head Cap Screw, 10-24 x 1/2".....	4
42	6295737	Washer, 3/8.....	8
43	6295738	Spring Washer 3/8.....	8
44	6295792	Socket Head Screw, 3/8-16 x 1-1/4.....	8
45	6295740	Hex Nut, 3/8-16.....	4
46	6295741	Leveler.....	4
47	6295742	Door Lock.....	1
48	6295743	Stand.....	2
49	6295892	Quill Lock Sleeve.....	1
50	6295893	Tailstock Quill Handle.....	1
54	6295749	Tailstock.....	1
55	6295918	Handwheel.....	1
56	6295751	Handle.....	1
57	6295848	Tailstock Handle.....	1
58	6295849	Tailstock Clamping Shaft (4224).....	1
59	6295754	Tailstock Stud (4224).....	2
61	6715013	Socket Set Screw.....	1
63	6295758	C-Ring, S-16.....	1
64	6295759	I.D. Label.....	1

PARTS LIST: Stand & Bed Assembly (4224 Lathe) continued

No.	Part No.	Description	Quantity
	6294733	Remote ON/OFF Switch Assembly (Items 65, 66, 68, 70, 71).....	1
65	6295760	On/Off Switch.....	1
66	6295761	Switch Box.....	1
67	6295762	Bed.....	1
68	6295763	Magnet.....	1
69	6295764	Power Cord.....	1
70	6295765	Control Cord.....	1
71	6295766	Strain Relief.....	1
72	6295767	Signal Cord.....	1
73	6295768	Hex Socket Screw, 5/16-18 x 1.....	4
74	6295769	Lock Washer, 5/16.....	4
76	6295771	Motor Pulley.....	1
77	6295772	Motor Assembly Plate.....	1
78	6295773	Washer, 7/16.....	1
79	6295774	Set Screw, 1/4-20 x 3/8.....	2
80	6295775	Lock Washer, 7/16.....	1
81	6295776	Hex Socket Screw, 7/16-14 x 1-1/4.....	1
82	6295777	Large Washer.....	1
83	6295778	Stud.....	1
84	6295779	Handle.....	1
85	6295780	Spring.....	1
86	6295781	Stud.....	1
87	6295782	Motor Label.....	1
88	6295783	3 HP Motor.....	1
89	6295784	Motor Cord.....	1
90	6295903	Live Center Body.....	1
91	6295904	Live Center Tip.....	1
92	6295905	Live Center Cap.....	1
93	6295906	Live Center Rod.....	1

Stand & Bed Assembly (4224 Lathe)



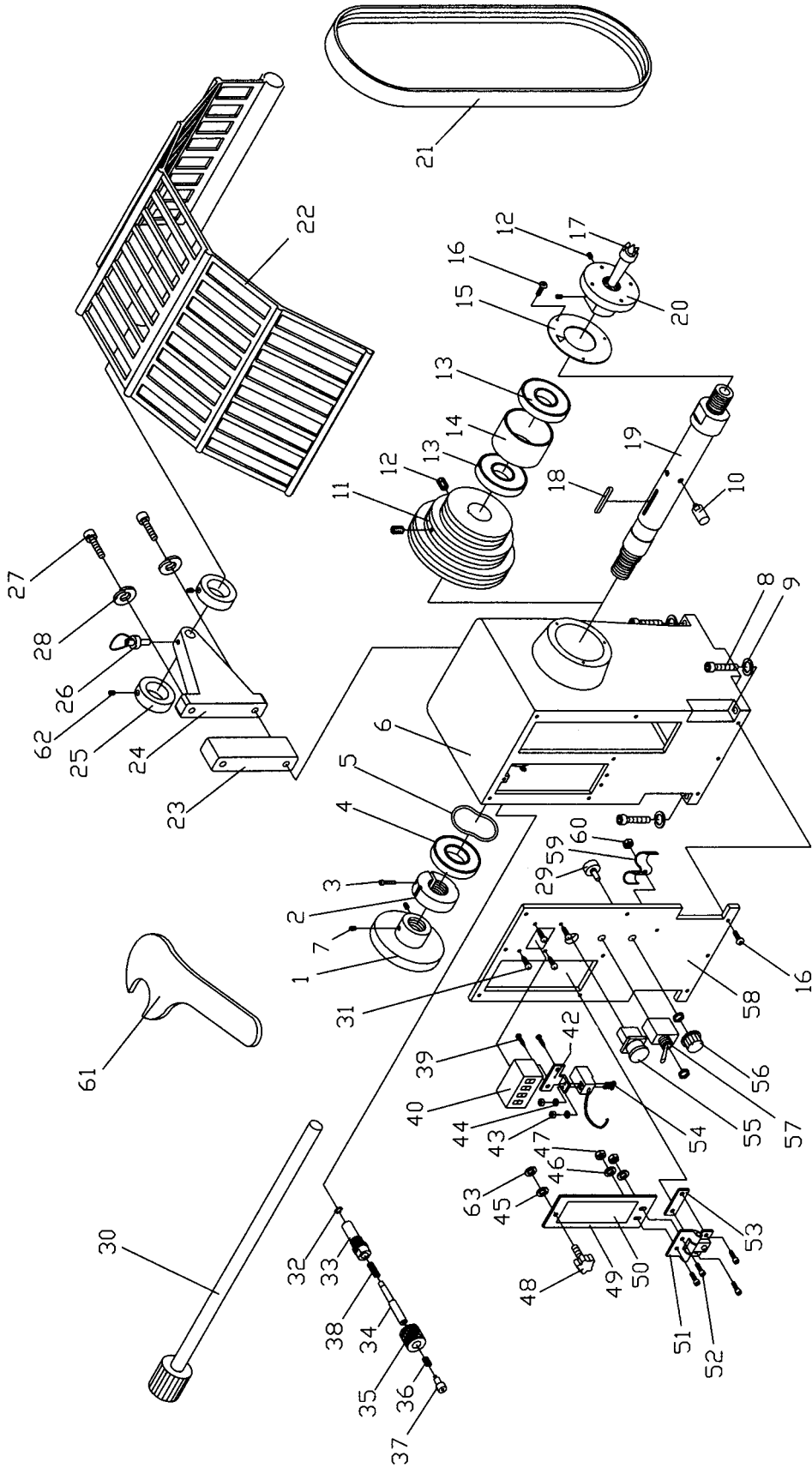
PARTS LIST: Headstock Assembly (4224 Lathe)

No.	Part No.	Description	Quantity
1	6295785	Handwheel	1
2	6295786	Nut, Lock	1
3	6295787	Socket Cap Screw, M6 x 25	1
4	6295788	Bearing, 63208	1
5	6295789	Wave Washer	1
6	6295790	Headstock	1
7	6714160	Set Screw, 1/4-20 x 1/4	2
8	6295792	Socket Cap Screw, 3/8-16 x 1-1/4	4
9	6295793	Spring Washer, 3/8	4
10	6295794	Stud	4
11	6295795	Spindle Pulley	1
12	6295796	Set Screw, 1/4-20 x 38	4
13	6295797	Bearing, 6209LB	2
14	6295798	Bushing	1
15	6295799	Front Plate	1
16	6295800	Hex Socket Round Head Screw, 10-24 x 1/2	13
17	6294725	Spur Center 1", MT2	1
18	6295802	Key, 6 x 6 x 50	1
19	6295803	Head Spindle	1
20	6294736	Face Plate, 3"	1
21	6295805	Belt, V-550J	1
22	6294747	Guard Assembly	1
23	6295807	Bracket	1
24	3064711	Lathe Guard Bracket	1
25	6143004	Retaining Collar	2
26	6644005	Plunger	1
27	6295850	Socket Cap Screw, 3/8-16 x 3	2
28	6861300	Spring Washer, 3/8	2
29	6295915	Control Pot Assembly	1
30	6294743	Knockout Rod	1
31	6295815	Tap Screw, M3 x 10	4
32	6295816	E-Ring, E-7	1
33	6295817	Index Bushing	1
34	6295818	Index Shaft	1
35	6295819	Index Knob	1
36	6295820	Spring	1
37	6295821	Bolt	1
38	6295822	Spring	1
39	6295823	Tap Screw, 1/4 x 1/2	2
40	6295824	Speed Indicator & Sensor Assy.	1
42	6295826	Fixed Plate	1
43	6295827	Nut	2
44	6295828	Washer	2
45	6295829	O-Ring	1
46	6860704	Lock Washer	2
47	6508007	Nut	2
48	6295832	Knob	1
49	6295833	Door Panel	1
50	6295834	Speed Label	1
51	6365012	Door Hinge	1
52	6708019	Socket Cap Screw, 8-32 x 5/8	4
53	6295837	Pad	1
54	6295838	Round Head Screw, M3 x 20	2
55	6295839	Push/Pull Switch	1
56	6295840	Control Panel Knob	1
57	6295841	Fwd/Rev Switch	1
58	6295842	Headstock Plate	1

PARTS LIST: Headstock Assembly (4224 Lathe) Continued

No.	Part No.	Description	Quantity
59	6295843	Clamp.....	1
60	6295844	Nut, #10-24	1
61	6294744	Faceplate Spanner.....	1
62	TS-0270011	Socket Set Screw, 5/16-18 x 1/4	2
63	6295923	Clamp Washer	1

Headstock Assembly (4224 Lathe)



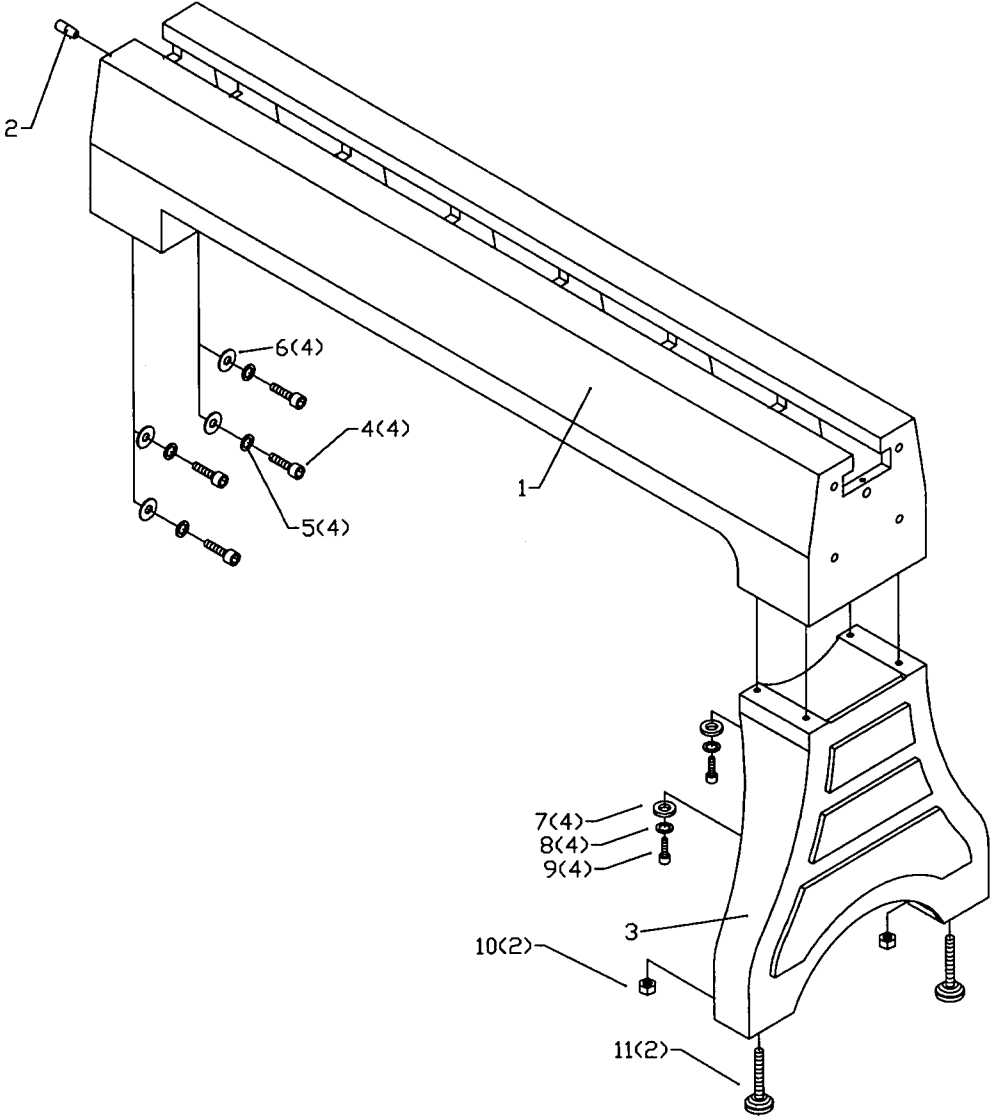
OPTIONAL ACCESSORIES (4224 Lathe)

Part No.	Description
6294730	Metal Spinning Tool Support, 12"
6294731	Tool Support, 26"
6294734	Adapter, 1-1/4" to 1-1/2"
6294739	Tool Support, 6"
6294740	Bowl Turning Tool Support (RH)
6294741	Tool Support, 16"
6294745	Ball Bearing Center
6294747	Guard Assembly
6294736	Face Plate, 3"
6294737	Face Plate, 4"
6294738	Face Plate, 7"
6294751	Bowl Turning Tool Support (LH)
6295845	Short Outfeed Bed Extension, 20"
6295846	Tool Rest Base Assembly, 24"

65" Bed Extension Assembly (Optional - 4224 Lathe)

No.	Part No.	Description	Quantity
	6295847	65" Bed Extension Assembly (Items 1-11)	1
1	6295901	65" Bed Extension.....	1
2	6295861	Pin	1
3	6295743	Stand.....	1
4	6295862	Hex Socket Cap Screw, 5/8-11 x 2.....	4
5	6295859	Lock Washer, 5/8.....	4
6	6295860	Washer, 5/8.....	4
7	6295737	Washer, 3/8.....	4
8	6295738	Lock Washer, 3/8.....	4
9	6295739	Hex Socket Cap Screw, 3/8-16 x 1-1/4	4
10	6295740	Hex Nut, 3/8-16.....	2
11	6295741	Leveler	2

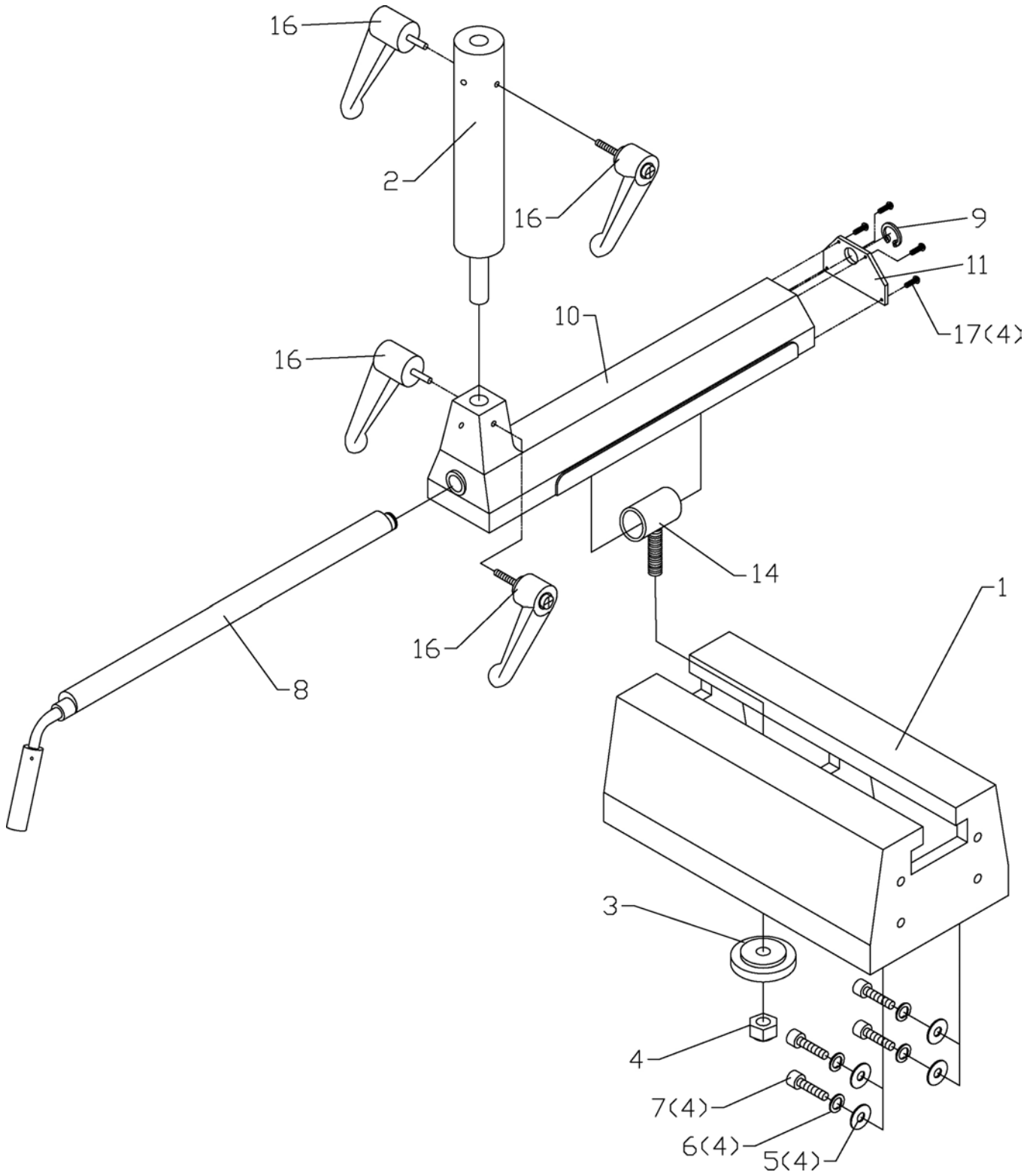
65" Bed Extension Assembly (Optional - 4224 Lathe)



PARTS LIST: **Outboard Turning Assembly** (Optional - 4224 Lathe)

No.	Part No.	Description	Quantity
	6295858	Outboard Turning Assembly (Items 1 thru 17)	1
	6295845	Short Outfeed Bed Extension Assembly (Items 1, 5, 6, 7)	1
	6295846	Tool Rest Base Assembly (Items 2, 3, 4, 8 thru 17)	1
1	6295852	20" Bed Extension.....	1
2	6295853	Extension Rod.....	1
3	6294770	Clamp.....	1
4	TS-0650081	Lock Nut, 3/4-10.....	1
5	6295860	Washer, 5/8.....	4
6	6295854	Lock Washer, 5/8.....	4
7	6295855	Hex Socket Cap Screw, 5/8-11 x 1-1/2	4
8	6295856A	Rod.....	1
9	6295710	C-Ring	1
10	6295857	Tool Support Base	1
11	6295702	End Cover	1
12	6294761	Key 6 x 6 x 45	1
13	6294762	Bushing	1
14	6295851A	Tool Support Clamp Bolt.....	1
15	6294764	Support Bracket	1
16	6294763	Tool Support Handle	4
17	6295703	Hex Socket Cap Screw, 10-24 x 5/8.....	4

Outboard Turning Assembly (Optional - 4224 Lathe)



To order parts or reach our service department, please call our toll-free number between 7:00 a.m. and 6:00 p.m. (CST), Monday through Friday. Having the Model Number and Serial Number of your machine available when you call will allow us to serve you quickly and accurately. Locating the stock number of the part(s) required from your parts manual will also expedite your order.

Phone No.: 800-274-6848
 Website: www.wmhtoolgroup.com