

Replacement Parts

To order parts or reach our service department, call 1-800-274-6848, Monday through Friday (see our website for business hours, www.powermatic.com). Having the Model Number and Serial Number of your machine available when you call will allow us to serve you quickly and accurately.

Parts List: Body Assembly

Index No.	Part No.	Description	Size	Qty
1	PWBS14-101	Base		1
2	PWBS14-102	Pin		4
3	BB-6204VV	Ball Bearing	6204VV	2
4	PWBS14-104	Lower Wheel Shaft		1
5	6291489	Key	5 x 5 x 20 mm	2
6	PWBS14-106	Retaining Ring	S20	1
7	PWBS14-107	Pulley		1
8	TS-1523031	Socket Set Screw	M6 x 10	2
9	PWBS14-109	Hex Head Bolt	M16 x 55	1
10	TS-155010	Flat Washer	M16	2
11	TS-154010	Hex Nut	M16	1
12	PWBS14-112	Hex Stud		2
13	PWBS14-113	Lower Hinge		1
14	TS-1534041	Phillips Flat Head Machine Screw	M5 x 10	4
15	PWBS14-115	Hex Head Bolt		2
16	PWBS14-116	Catch		2
17	TS-1533042	Phillips Pan Head Machine Screw	M5 x 12	3
18	PWBS14-118	Lower Wheel		1
19	PWBS14-119	Wheel Tire		2
20	TS-1550061	Flat Washer	M8	2
21	PWBS14-121	Hex Cap Screw	M8 x 25(LH)	1
22	PWBS14-122	Upper Wheel		1
23	PWBS14-123	Retaining Ring	R35	2
24	BB-6202ZZ	Ball Bearing	6202ZZ	2
25	PWBS14-125	Lower Wheel Guard		1
26	TS-1540083	Hex Nut	M12 x 1.25	1
27		Blade (see "Optional Accessories" page 35)		1
28	PWBS14-128	Upper Back Cover		1
29	PWBS14-129	Pan Head Flanged Screw	M5 x 8	2
30	PWBS14-130	Tapping Screw	M4 x 8	12
31	PWBS14-131	Rear Guard Blade		1
32	PWBS14-132	Upper Hinge		1
33	PWBS14-133	Oblong Metal Washer		2
34	PWBS14-134	Tapping Screw	M3.5 x 16(AB)	2
35	PWBS14-135	Upper Wheel Guard		1
36	PWBS14-136	Stud Latch		2
37	PWBS14-137	Star Washer (Internal)	M8	2
38	PWBS14-138	Knob	M8	2
39	PWBS14-139	Wheel Brush		1
40	TS-1540061	Hex Nut	M8	1
57	TS-1490071	Hex Cap Screw	M8 x 40	4
58	TS-1550061	Flat Washer	M8 x 18	8
59	TS-1550041	Flat Washer	M6 x 13	4
60	TS-1551061	Lock Washer	M8	4
61	TS-1540061	Hex Nut	M8	4
63	PWBS14-163	Level Board		1
64	PWBS14-164	Socket Head Cap Screw	M8 x 65	4
65	TS-1540061	Hex Nut	M8	4

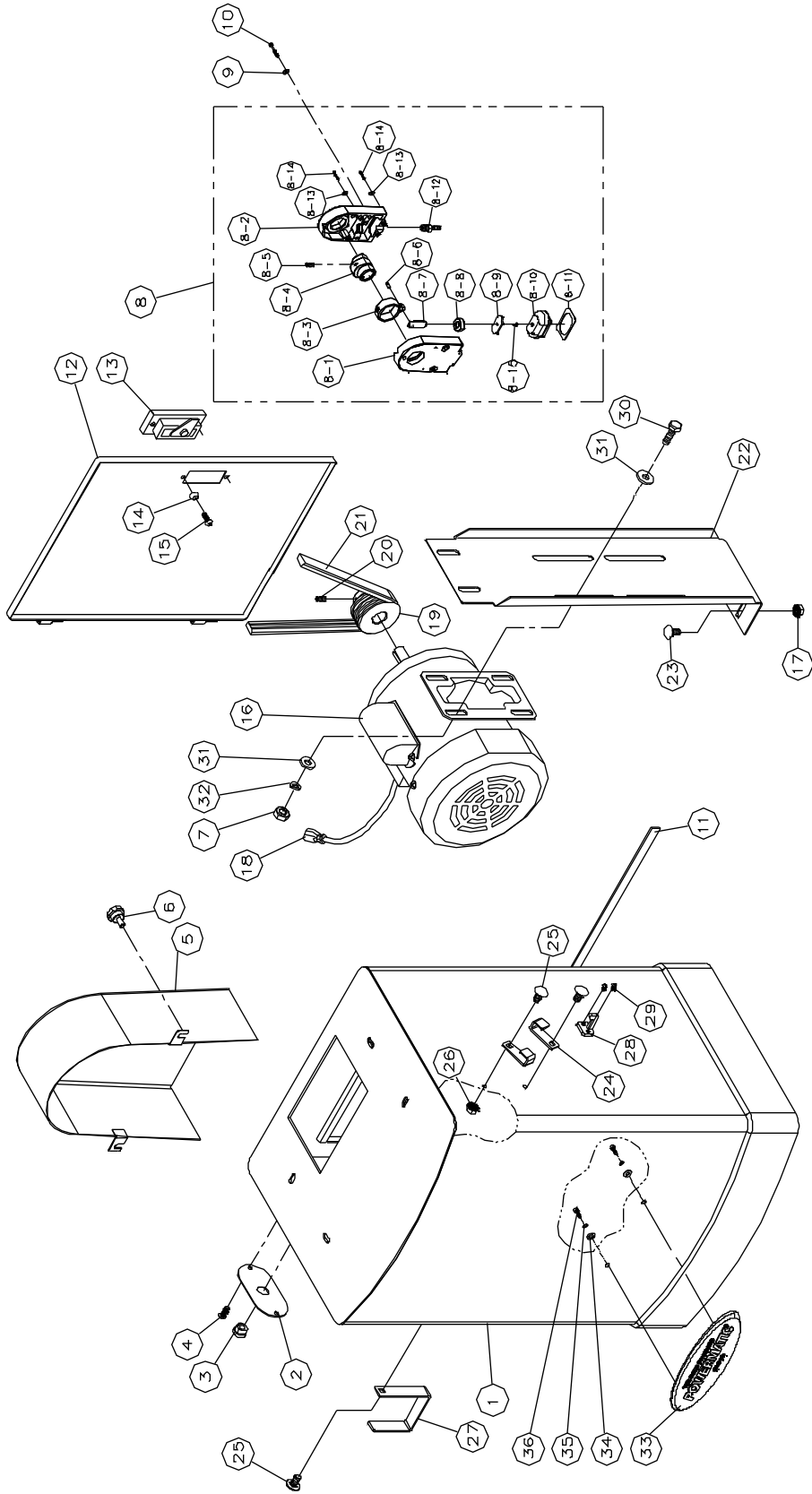
Index No.	Part No.	Description	Size	Qty
66	TS-1524051	Socket Set Screw	M8 x 20	4
67	PWBS14-167	Spacer		4
68	TS-1551041	Lock Washer	M6	4
69	TS-1503061	Socket Head Cap Screw	M6 x 25	4
70	PWBS14-170	Lower Blade Guard		1
71	TS-1550041	Flat Washer	M6	2
72	TS-1482041	Hex Cap Screw	M6 x 20	2
73	PWBS14-173	Upper Frame Arm		1
74	PWBS14-174	Knob	M8	1
75	PWBS14-175	Steel Ball		1
76	PWBS14-176	Spring		1
77	TS-1525011	Socket Set Screw	M10 x 10	1
78	PWBS14-178	Switch Plate		1
79	PWBS14-179	Switch Enclosure		1
80	TS-1533052	Phillips Pan Head Machine Screw	M5 x 16	2
81	PWBS14-181	Switch		1
82	TS-1550021	Flat Washer	M4	2
83	PWBS14-183	Tapping Screw	M3.5 x 12 (AB)	2
84	TS-1522011	Socket Set Screw	M5 x 6	1
85	PWBS14-185	Star Washer (External)	M5	2
86	PWBS14-186	Phillips Pan Head Machine Screw	M5 x 6	2
87	PWBS14-187	Strain Relief		2
88	PWBS14-188	Cord Clamp		1
89	TS-1533042	Phillips Pan Head Machine Screw	M5 x 12	1
90	PWBS14-190	Power Cord(Switch To Motor)		1
91	PWBS14-191	Power Cord		1
92	PWBS14-192	Adjusting Bolt Assembly		1
	PWBS14-192-1	Knob	M8	1
	PWBS14-192-2	Adjusting Bolt		1
	PWBS14-192-3	Spring Pin	Ø3 x 18 mm	1
111	PWBS14-211A	Upper Wheel Sliding Bracket (<i>serial# 71210381 and higher</i>)		1
	PWBS14-211	Upper Wheel Sliding Bracket (<i>serial# 71210380 and lower</i>)		1
	TS-1522021	Socket Set Screw	M5 x 8	2
112	PWBS14-212-1A	Upper Wheel Shaft Hinge Assembly		1
	PWBS14-212-2A	Upper Wheel Shaft (<i>serial# 80712360 and higher</i>)		1
	PWBS14-212-3	Spring Pin	Ø4 x 24 mm	1
	PWBS14-212-4A	Upper Wheel Shaft Hinge (<i>serial# 80712360 and higher</i>)		1
	PWBS14-212-5	Adjustable Nut	M20 x 1.0	1
113	PWBS14-213	Steel Pin		2
114	TS-1533042	Phillips Pan Head Machine Screw	M5 x 12	1
115	PWBS14-215	Cord Clamp		2
116	PWBS14-216	Coil Spring		1
117	PWBS14-217	Indicator		1
118	PWBS14-218	Square Nut	M10	1
119	TS-154306	Wing Nut	M8	1
120	PWBS14-220	Knob Bolt	M8 x 55	1
121	PWBS14-221	Guide Post		1
122	PWBS14-222	Blade Guard		1
123	TS-1550041	Flat Washer	M6 x 13	2
124	PWBS14-224	Support Plate		1
125	TS-1482011	Hex Cap Screw	M6 x 10	2
126	PWBS14-226	Upper Support		1
127	PWBS14-227	Adjusting Screw	M8 x 1.0 x 40	4
128	PWBS14-228	Adjusting Nut		4
129	TS-1482031	Hex Cap Screw	M6 x 16	1
130	PWBS14-230	Lower Support Bracket Post		2
131	PWBS14-231	Bearing Sheath		2
132	TS-1482031	Hex Cap Screw	M6 x 20	2
133	PWBS14-233	Thumb Screw	M6 x 16	3

Index No.	Part No.	Description	Size	Qty
134	BB-608ZZ	Ball Bearing	608ZZ	10
135	TS-1550031	Flat Washer	M5	4
136	TS-2235061	Socket Head Cap Screw	M5 x 6	4
137	TS-1502091	Socket Head Cap Screw	M5 x 40	2
138	TS-1551031	Lock Washer	M5	2
139	PWBS14-239	Support Bracket		2
140	PWBS14-240	Eccentric Shaft		4
141	PWBS14-241	Spacing Sleeve		1
142	PWBS14-242	Thumb Screw	M6 x 12	1
143	PWBS14-243	Lampshade		1
144	PWBS14-244	Lamp Holder		1
145	PWBS14-245	Nut		1
146	PWBS14-251-5	Pan Head Flanged Screw	M5 x 8	2
147	PWBS14-247	Flexible Pipe		1
148	PWBS14-248	Cord Clamp		1
149	PWBS14-249	Jet Head		1
150	TS-1533042	Phillips Pan Head Machine Screw	M5 x 12	2
152	PWBS14-252	Spacer		2
153	PWBS14-253	Gasket		1
154	PWBS14-254SN	Powermatic Nameplate, Small		1
155	TS-1550041	Flat Washer	M6	2
156	TS-2361061	Lock Washer	M6	2
157	6714154	Hex Cap Screw	1/4-20 x 3/8"	2
	PM2700-441	Narrow Stripe (not shown)		2

Parts List: Closed Stand Assembly

Index No.	Part No.	Description	Size	Qty
1	PWBS14-301	Closed Stand Assembly		1
	PWBS14-301-1	Closed Stand		1
	PWBS14-301-2	Face Plate		1
	PWBS14-301-3	Support Plate-1		1
	PWBS14-301-4	Support Plate-2		1
2	PWBS14-302	Plate		1
3	PWBS14-303	Strain Relief		1
4	TS-1533042	Phillips Pan Head Machine Screw	M5 x 12	2
5	PWBS14-305	Pulley Box		1
6	PWBS14-306	Knob	M6 x 12	2
7	TS-1540061	Hex Nut	M8	4
8	PWBS14-308	Air Regulator Assembly (Items 8-1 thru 8-14)		1
8-1	PWBS14-308-1	Lower Wheel Guard		1
8-2	PWBS14-308-2	Upper Wheel Guard		1
8-3	PWBS14-308-3	Lever Arm		1
8-4	PWBS14-308-4	Cam		1
8-5	PWBS14-308-5	Set Screw	M5 x 5	2
8-6	PWBS14-308-6	Locator Pin		1
8-7	PWBS14-308-7	Guide		1
8-8	PWBS14-308-8	Bushing		1
8-9	PWBS14-308-9	Flat Bar		1
8-10	PWBS14-308-10	Air Pump		1
8-11	PWBS14-308-11	Spacer Strip		1
8-12	PWBS14-308-12	Nozzle		1
8-13	TS-1550021	Flat Washer	M4	4
8-14	PWBS14-308-14	Tapping Screw	M3.5 x 30	4
8-15	TS-2284081	Flat Head Phillips Machine Screw	M4 x 8	1
9	TS-1550021	Flat Washer	M4	2
10	PWBS14-310	Socket Cap Bolt	M4 x 40	2
11	PWBS14-311	Sponge		2
12	PWBS14-312	Door		1
13	PWBS14-313	Door Latch Assembly		1
14	PWBS14-314	Washer		2
15	PWBS14-315	Pan Head Bolt	M4 x 5	2
16	PWBS14-316	Motor (TEFC)	1.5HP, 1Ph, 115/230V	1
17	TS-2320081	Flange Hex Nut	M8	4
18	PWBS14-318	Motor Cord		1
19	PWBS14-319	Motor Pulley		1
20	TS-1523041	Socket Set Screw	M6 x 12	2
21	PWBS14-321	Belt	500J6	1
22	PWBS14-322	Motor Plate		1
23	PWBS14-323	Carriage Bolt	M8 x 16	4
24	PWBS14-324	Miter Gauge Hook		2
25	PWBS14-325	Carriage Bolt	M8 x 16	4
26	TS-2320081	Flange Hex Nut	M8	4
27	PWBS14-327	Hook		2
28	PWBS14-328	Blade Hook		1
29	TS-1532032	Phillips Pan Head Machine Screw	M4 x 10	2
30	TS-1490041	Hex Cap Screw	M8 x 25	4
31	TS-1550061	Flat Washer	M8	8
32	TS-1551061	Lock Washer	M8	4
33	PM2000-105	Powermatic Nameplate, Large		1
34	TS-1550041	Flat Washer	M6	2
35	TS-2361061	Lock Washer	M6	2
36	6714154	Hex Cap Screw	1/4-20 x 3/8"	2
	PM2700-440	Wide Stripe (not shown)		1
	PM2700-441	Narrow Stripe (not shown)		1

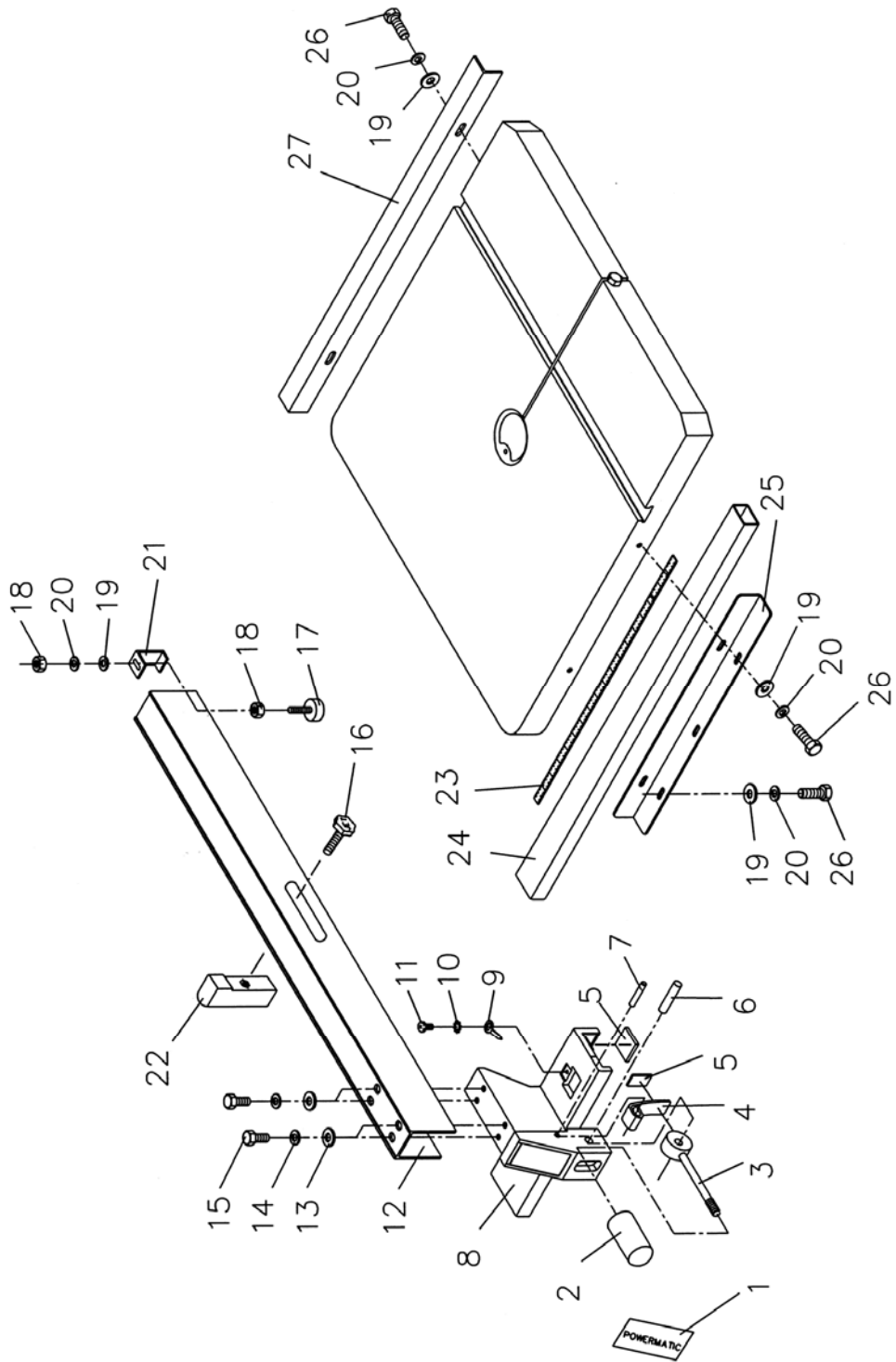
Closed Stand Assembly



Parts List: Fence and Rail Assembly

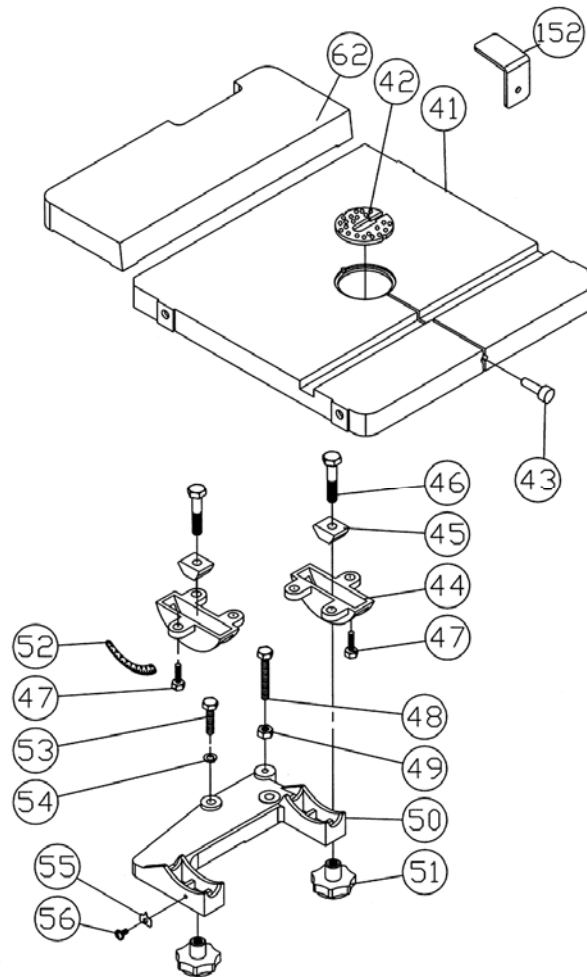
Index No.	Part No.	Description	Size	Qty
	PWBS14-FA	Fence Assembly (index # 1 through 22)		1
1	PWBS14-F01	Powermatic Label		1
2	JWBS18-431	Knob		1
3	JWBS18-432	Lock Handle		1
4	JWBS18-433	Lock Plate		1
5	JWBS18-434	Pad		5
6	JWBS18-435	Pin		1
7	JWBS18-436	Pin		1
8	PWBS14-F08	Fence Body		1
9	JWBS18-442	Pointer		1
10	JWBS18-441	Star Washer	3/16"	1
11	JWBS18-440	Screw	3/16" x 1/4"	1
12	JWBS14-F12	Fence		1
13	JWBS18-439	Flat Washer*	5/16"	4
14	TS-0720081	Lock Washer*	5/16"	4
15	TS-0081031	Hex Cap Screw*	5/16" x 3/4"	4
16	PWBS14-F16	Knob*		1
17	JWBS18-444	Sliding Pad*		1
18	TS-0561011	Hex Nut*	1/4"	2
19	TS-0680021	Flat Washer*	1/4"	8
20	TS-0720071	Lock Washer*	1/4"	8
21	JWBS18-445	Rear Hook*		1
22	JWBS14-F22	Resaw Post*		1
23	JWBS14-F23	Scale (inches)		1
24	PWBS14-F24	Guide Rail		1
25	PWBS14-F25	Front Rail		1
26	TS-1482041	Hex Cap Screw*	M6 x 20	7
27	PWBS14-F27	Rear Rail		1
	PWBS14-HP	Hardware Package (includes items marked with *)		1

Fence and Rail Assembly



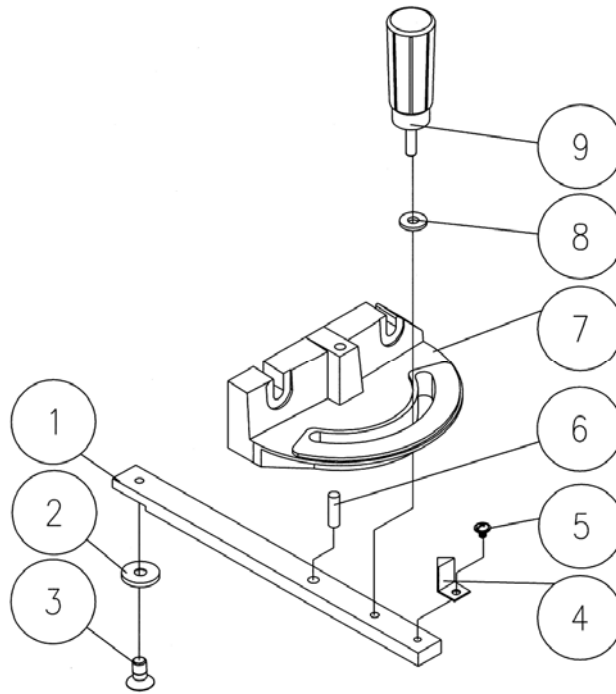
Parts List: Table and Trunnion Assembly

Index No.	Part No.	Description	Size	Qty
41	PWBS14-141	Table		1
42	PWBS14-142	Table Insert		1
43	PWBS14-143	Table Pin		1
44	PWBS14-144	Trunnion		2
45	PWBS14-145	Trunnion Clamp Shoes		2
46	TS-1491081	Hex Cap Screw	M10 x 50	2
47	PWBS14-147	Hex Head Flange Bolt		6
48	TS-1490151	Hex Cap Screw	M8 x 80	1
49	TS-1540061	Hex Nut	M8	1
50	PWBS14-150	Trunnion Clamp Shoe		1
51	PWBS14-151	Knob	M10	2
52	PWBS14-152	Scale		1
53	TS-1490071	Hex Cap Screw	M8 x 40	2
54	TS-1551061	Lock Washer	M8	2
55	PWBS14-155	Pointer		1
56	PWBS14-156	Pan Head Flanged Screw	M5 x 6	1
62	PWBS14-162	Extension Plate		1
152	PWBS14-252	L-Spacer		2



Parts List: Miter Gauge Assembly

Index No.	Part No.	Description	Size	Qty
.....	PWBS14-251	Miter Gauge Assembly (Items 1 thru 9)		1
1.....	PWBS14-251-1	Guide Bar		1
2.....	PWBS14-251-2	Guide Piece		1
3.....	PWBS14-251-3	Counter Sunk Bolt	M6 x 6	1
4.....	PWBS14-251-4	Pointer		1
5.....	PWBS14-251-5	Pan Head Flanged Screw	M5 x 8	1
6.....	PWBS14-251-6	Pin	Ø6.5 x 10 mm	1
7.....	PWBS14-251-7	Miter Gauge Body		1
8.....	PWBS14-251-8	Nylon Washer		1
9.....	PWBS14-251-9	Handle		1



Parts List: Blade Tension Lever

Index No.	Part No.	Description	Size	Qty
93	PWBS14-193A	Adjusting Block Assembly (Index # 93-1 thru 93-13)		1
93-1	PWBS14-193-1	Side Cover		1
93-2	PWBS14-193-2	Spring Pin		1
93-3	PWBS14-193-3A	Gear		1
93-5	PWBS14-193-5A	Adjust Block		1
93-7	PWBS14-193-7A	Connecting Shaft		1
93-8	PWBS14-193-8	Moving Block		1
93-9	PWBS14-193-9	Bracket		1
93-10	TS-1502031	Socket Head Cap Screw	M5 x 12	2
93-11	PWBS14-193-11A	Spring Pin	3 x 16 mm	1
93-12	PWBS14-193-12	Spring Pin		1
93-13	PWBS14-193-13A	Countersunk Head Bolt	5/16" x 1-1/4"	1
94	PWBS14-194A	Countersunk Head Bolt	1/4" x 1-1/4"	2
95	TS-0561011	Hex Nut	1/4"-20	2
97	PWBS14-197	Handle Shaft Assembly (Index # 97-1 thru 97-8)		1
97-1	PWBS14-197-1	Knob	M8	1
97-2	PWBS14-197-2	Set Screw	M8 x 25	1
97-3	PWBS14-197-3	Handle Shaft		1
97-4	PWBS14-197-4	Set Screw	M6 x 6	2
97-5	PWBS14-197-5	Locate Block		1
97-6	PWBS14-197-6	Leaf Spring		3
97-7	PWBS14-197-7	Rivet		2
97-8	PWBS14-197-8	Spring Pin		1

