



SERVICE PARTS LIST

BULLETIN NO.
54-12-1204

SPECIFY CATALOG NO. AND SERIAL NO. WHEN ORDERING PARTS		REVISED BULLETIN 54-12-1203	DATE May '92
SUPER HOLE-SHOOTER			
CATALOG NO. 1754-1	SERIAL NUMBER 566-4141	WIRING INSTRUCTION 58-01-0940	

EXAMPLE:
Component Parts (Small #)
Are Included When Ordering
The Assembly (Large #).

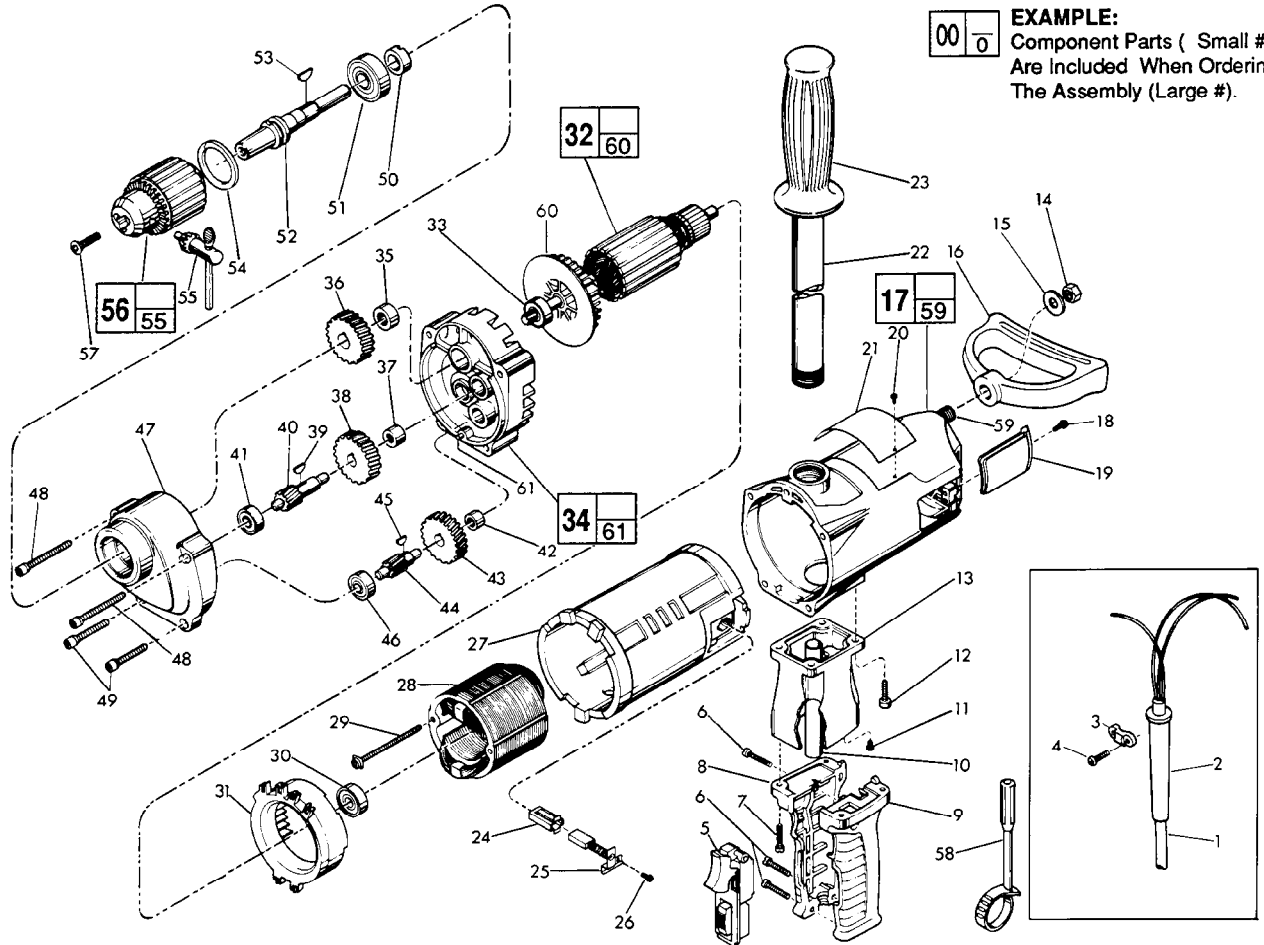


FIG. PART NO.	DESCRIPTION OF PART	NO. REQ.
1	22-64-0121	(1)
2	44-76-0140	(1)
3	31-17-0156	(1)
4	06-82-7270	(2)
5	23-66-1420	(1)
6	06-82-7326	(3)
7	06-82-5358	(4)
8	31-44-1440	(1)
9	31-44-1445	(1)
10	23-16-1440	(1)
11	06-95-5200	(1)
12	06-95-5645	(4)
13	28-86-1611	(1)
14	06-55-2850	(1)
★ 15	45-88-5253	(1)
16	31-44-1450	(1)
17	28-50-6365	(1)
★ 18	06-82-5316	(2)
19	22-32-0350	(2)
20	06-85-0200	(2)
21	12-15-7010	(1)
22	43-62-0121	(1)
23	43-62-0246	(1)
24	22-20-0680	(2)
★ 25	22-18-0701	(2)
26	06-82-8835	(2)
27	23-16-1420	(1)
28	18-70-0310	(1)
29	06-82-9072	(2)
30	02-04-1041	(1)
31	42-14-0291	(1)
32	16-70-0340	(1)
33	02-04-1229	(1)
★ 34	14-13-0241	(1)
35	02-50-4040	(1)
36	32-75-1001	(1)
37	02-50-2450	(1)
38	32-44-1221	(1)

FIG. PART NO.	DESCRIPTION OF PART	NO. REQ.
39	06-42-1600	(1)
40	36-66-0501	(1)
41	02-04-0910	(1)
42	02-50-2450	(1)
43	32-40-1001	(1)
44	36-66-3001	(1)
45	06-42-1200	(1)
46	02-04-0910	(1)
★ 47	28-14-0402	(1)
48	06-82-8440	(2)
49	06-82-8330	(2)
50	45-36-0200	(1)
51	02-04-2031	(1)
52	38-50-5500	(1)
53	06-42-2400	(1)
54	34-80-3450	(1)
★ 55	48-66-3160	(1)
★ 56	48-66-2085	(1)
57	06-81-3100	(1)
58	48-66-4020	(1)
59	06-14-0010	(1)
60	22-84-0790	(1)
61	06-65-1155	(1)

FIG. LUBRICATION
47 7-3/4 Oz. "E" Grease, No. 49-08-4122.

FIG. NOTES
12 Tighten one screw until lockwasher is touching handle spacer. Tighten the diagonally opposite screw (70-80 lbs./in. on new motor housing) and then sequentially tighten the other screws.

48,49 Apply Type 242 Blue Loctite.

MILWAUKEE ELECTRIC TOOL CORPORATION
13135 W. LISBON RD., BROOKFIELD, WI 53005