



SERVICE PARTS LIST

BUL. 54-12-2035

5/8" ELECTRIC DRILL

REVISED BUL. 54-12-2034 DATE Feb. '77

Catalog No. 1750-1

Starting Serial No. **130-4420**

WIRING INSTRUCTIONS **58-01-0565**

Specify Catalog and Serial No. when ordering parts

525 R.P.M.

FOR CAT. NO. 1750-3
(240V) TOOL USE:

- 18-86-1065 FIELD
- 16-86-1811 ARMATURE
- 22-64-4100 CORD SET

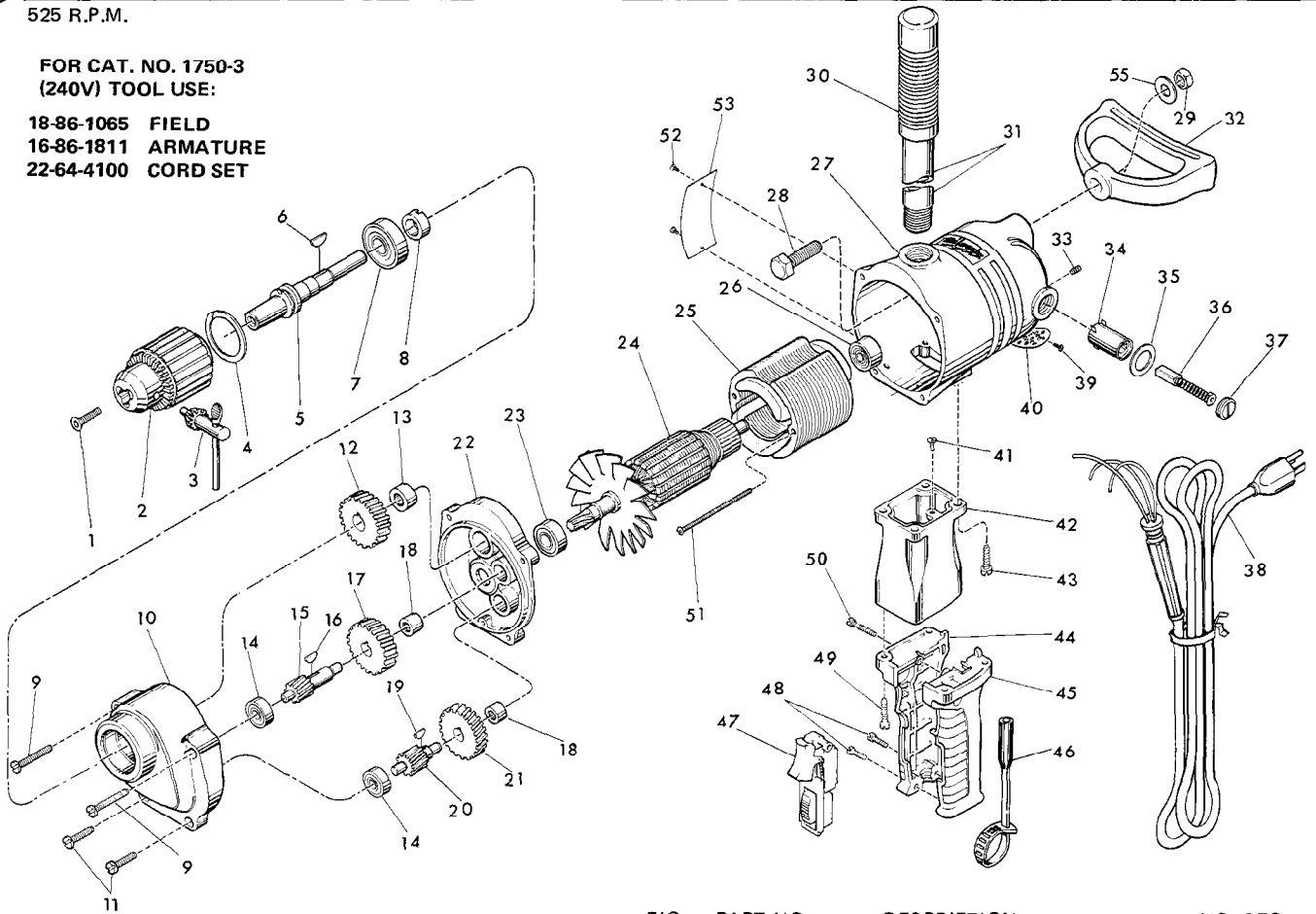


FIG.	PART NO.	DESCRIPTION	NO. REQ.	FIG.	PART NO.	DESCRIPTION	NO. REQ.
				27	28-50-4761	Motor Housing (Includes Fig. Nos. 28 & 29)	(1)
				28	06-75-0850	1/2-13x1-1/2 Hex. Hd. Screw	(1)
				29	06-55-2850	1/2-13 Hex Nut	(1)
				★30	43-62-0242	Handle Grip	(1)
				★31	43-62-0120	Pipe Handle	(1)
				★32	31-44-1050	Spade Handle	(1)
				33	06-83-2670	1/4-20x1/2 Knrl. Set Screw	(2)
				34	22-22-0100	Brush Holder	(2)
				35	23-86-0130	Insulating Washer	(2)
				36	22-18-0115	Carbon Brush	(2)
				37	23-44-0081	Brush Retaining Screw	(2)
				★38	22-64-0386	Cord Set	(1)
				39	06-81-8650	6-32x1/4 Rd. Hd. Sem	(2)
				40	44-66-0180	Cover Plate	(1)
				41	06-81-8625	6-32x1/4 Ground Screw	(1)
				★42	28-86-1601	Spacer	(1)
				★43	06-81-7800	1/4-20x3/4 Fil. Hd. Sem	(4)
				★44	31-44-0500	Right Handle Half	(1)
				★45	31-44-0510	Left Handle Half	(1)
				★46	48-66-4020	Key Holder	(1)
				★47	23-66-0581	Reversing Switch	(1)
				★48	06-81-6200	8-32x5/8 Fil. Hd. Sem	(2)
				★49	06-81-7550	12-24x3/4 Fil. Hd. Sem	(4)
				★50	06-81-6400	8-32x1-1/8 Fil. HD. Sem	(1)
				51	06-81-9000	8-32x3-1/8 Rd. Hd. Sem	(2)
				52	06-85-0200	Nameplate Screw	(2)
				53	12-99-0040	Nameplate Blank	(1)
				54	12-98-7081	Caution Plate (Not Shown)	(1)
				★55	45-88-0310	Flat Washer	(1)
1	06-81-3100	5/16-18x1 Skt. Hd. Screw	(1)				
2	48-66-1680	5/8" Rev. Chuck (Includes Fig. No. 3)	(1)				
3	48-66-3120	Chuck Key	(1)				
4	34-80-3450	Retaining Ring	(1)				
5	38-50-3471	Reversing Spindle	(1)				
6	06-42-2400	Woodruff Key	(1)				
7	02-04-2050	Ball Bearing	(1)				
8	45-36-0200	Spacer for Tapered Spindle	(1)				
9	06-81-7950	1/4-20x1-3/4 Fil. Hd. Sem	(2)				
10	28-14-0401	Gear Case	(1)				
11	06-81-7850	1/4-20x1 Fil. Hd. Sem	(2)				
12	32-75-1001	Spindle Gear	(1)				
13	02-50-4040	Needle Bearing	(1)				
14	02-04-0910	Ball Bearing	(2)				
15	36-66-0501	Intermediate Shaft	(1)				
16	06-42-1600	Woodruff Key	(1)				
17	32-44-1221	Intermediate Gear	(1)				
18	02-50-2450	Needle Bearing	(2)				
19	06-42-1200	Woodruff Key	(1)				
20	36-66-3001	Intermediate Shaft	(1)				
21	32-40-1001	Intermediate Gear	(1)				
22	28-28-0102	Diaphragm (Includes 06-65-1205 Pin)	(1)				
23	02-04-1260	Ball Bearing	(1)				
24	16-82-1810	120 Volt Armature	(1)				
25	18-82-1070	120 Volt Field	(1)				
26	02-04-1070	Ball Bearing	(1)				

MILWAUKEE ELECTRIC TOOL CORP.

13135 West Lisbon Road • Brookfield, Wisconsin 53005