



# SERVICE PARTS LIST

## 5/8" ELECTRIC DRILL

### Catalog No. 1750-1

Starting  
Serial No. 130-3415

Specify Catalog and Serial No. when ordering parts

**BUL. 54-12-2034**

REVISED BUL. DATE  
Jan. '74

WIRING INSTRUCTIONS  
**58-01-0560**

525 R.P.M.

FOR 230 VOLT TOOL USE:

18-86-1060 FIELD

16-86-1811 ARMATURE

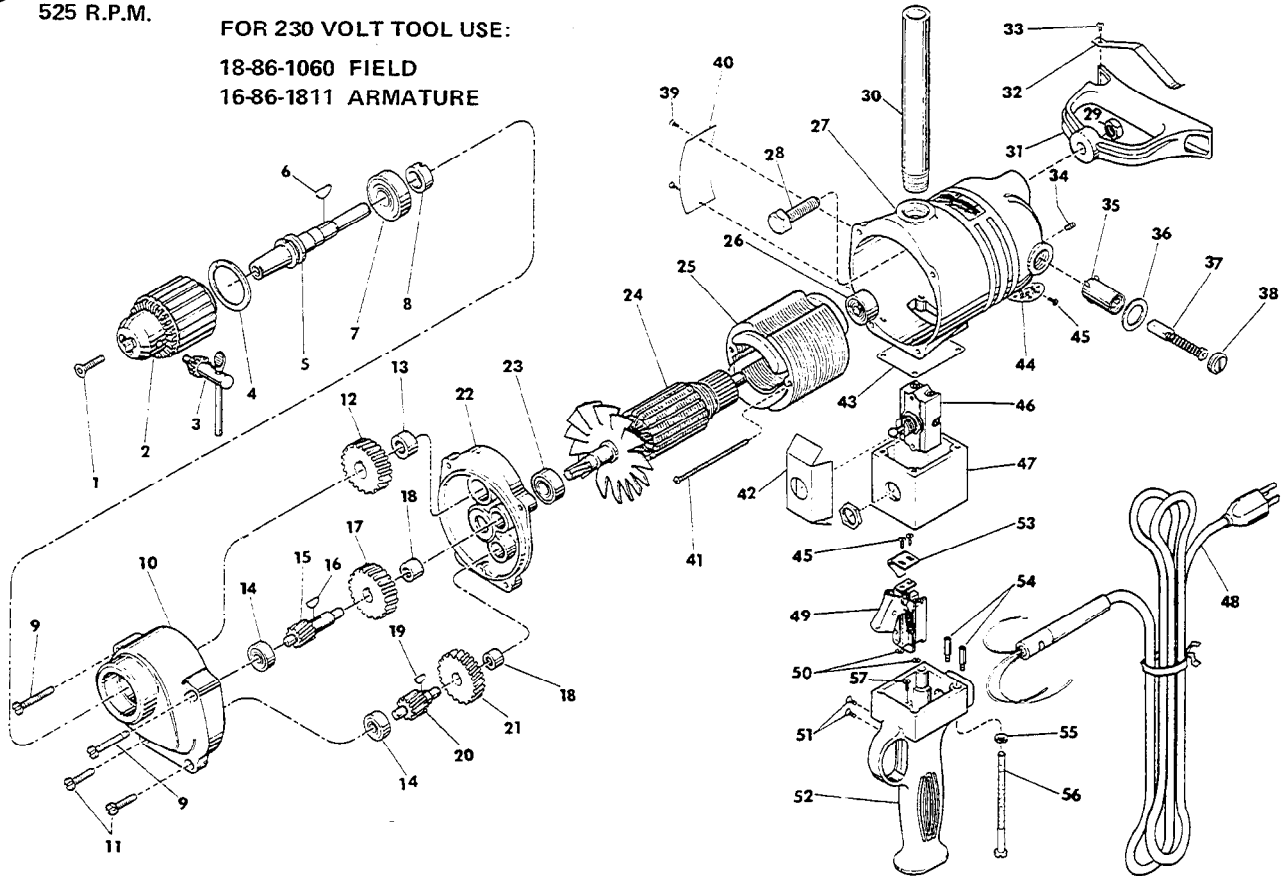


FIG.	PART NO.	DESCRIPTION OF PART	NO. REQ.	FIG.	PART NO.	DESCRIPTION OF PART	NO. REQ.
1	06-81-3100	5/16-18x1 Skt. Hd. Screw	(1)	30	43-62-0230	Pipe Handle	(1)
2	48-66-1680	5/8 Chuck #3JT	(1)	31	14-34-0100	Handle Assy. (Incl. Fig. Nos. 32 & 33)	(1)
3	48-66-3120	Chuck Key	(1)	32	42-70-0110	Key Clip	(1)
4	34-80-3450	Retaining Ring	(1)	33	06-81-8650	6-32x1/4 Rd. Hd. Sem	(1)
5	38-50-3471	Reversing Spindle	(1)	34	06-83-2670	1/4-20x1/2 Knrl. Set Screw	(2)
6	06-42-2400	Woodruff Key	(1)	35	22-22-0100	Brush Holder Assembly	(2)
7	02-04-2050	Ball Bearing	(1)	36	23-86-0130	Insulating Washer	(2)
8	45-36-0200	Spacer For Tapered Spindle	(1)	37	22-18-0115	Carbon Brush Assembly	(2)
9	06-81-7950	1/4-20x1-3/4 Fil. Hd. Sem	(2)	38	23-44-0081	Brush Retaining Screw	(2)
10	28-14-0401	Gear Case	(1)	★ 39	06-85-0200	Nameplate Screw	(2)
11	06-81-7850	1/4-20x1 Fil. Hd. Sem	(2)	★ 40	12-99-0040	Nameplate Blank	(1)
12	32-75-1001	Spindle Gear	(1)	41	06-81-9000	8-32x3-1/8 Rd. Hd. Sem	(2)
13	02-50-4040	Needle Bearing	(1)	42	23-16-0470	Reversing Switch Insulator	(1)
14	02-04-0910	Ball Bearing	(2)	43	23-16-0200	Insulator	(1)
15	36-66-0501	Intermediate Shaft	(1)	44	44-66-0180	Cover Plate	(1)
16	06-42-1600	Woodruff Key	(1)	45	06-81-8650	6-32x1/4 Rd. Hd. Sem	(4)
17	32-44-1221	Intermediate Gear	(1)	46	23-66-0340	Reversing Switch	(1)
18	02-50-2450	Needle Bearing	(2)	47	28-50-7121	Reversing Switch Housing	(1)
19	06-42-1200	Woodruff Key	(1)	48	22-64-0080	Cord Set	(1)
20	36-66-3001	Intermediate Shaft	(1)	★ 49	23-66-0191	Switch	(1)
21	32-40-1001	Intermediate Gear	(1)	50	06-97-1800	Lock Washers (For Switches)	(10)
22	28-28-0102	Diaphragm (Incl. 06-65-1205 Pin)	(1)	51	06-81-3400	6-32x1/4 Oval Hd. Screw	(2)
23	02-04-1260	Ball Bearing	(1)	52	28-44-9241	Switch Handle	(1)
24	16-82-1810	115 Volt Armature	(1)	53	42-36-0230	Switch Bracket	(1)
25	18-82-1070	115 Volt Field	(1)	54	45-04-0100	Cord Retaining Screw	(2)
26	02-04-1070	Ball Bearing	(1)	55	06-97-3800	Lock Washer	(4)
27	28-50-4761	Motor Housing (Incl. Fig. Nos. 28 & 29)	(1)	56	06-81-2150	1/4-20x3-3/4 Fil. Hd. Screw	(4)
28	06-75-0850	1/2-13x1-1/2 Hex. Hd. Screw	(1)	57	06-81-8625	6-32x1/4 Ground Screw	(1)
29	06-55-2850	1/2-13 Hex Nut	(1)	★ 58	12-98-7081	Caution Plate (Not Shown)	(1)