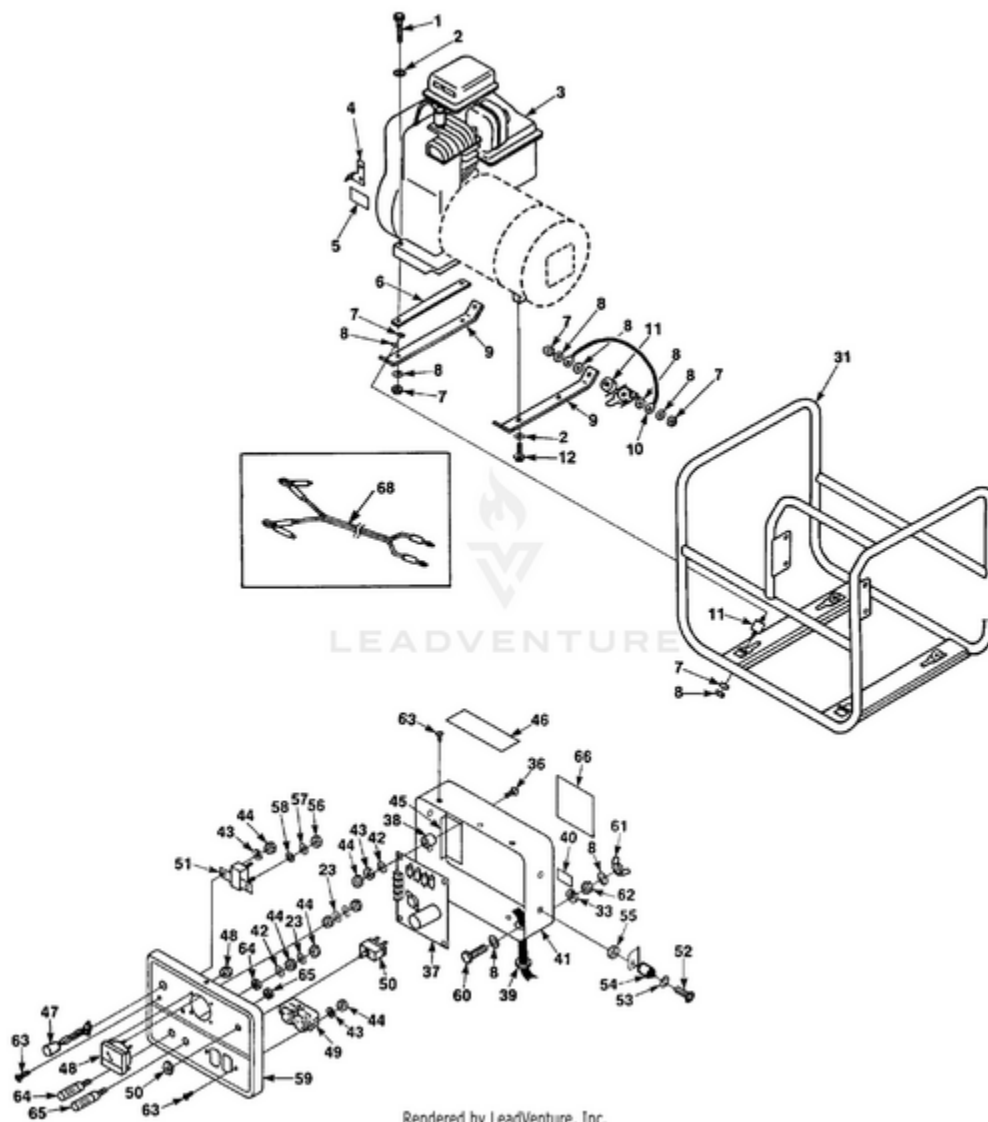


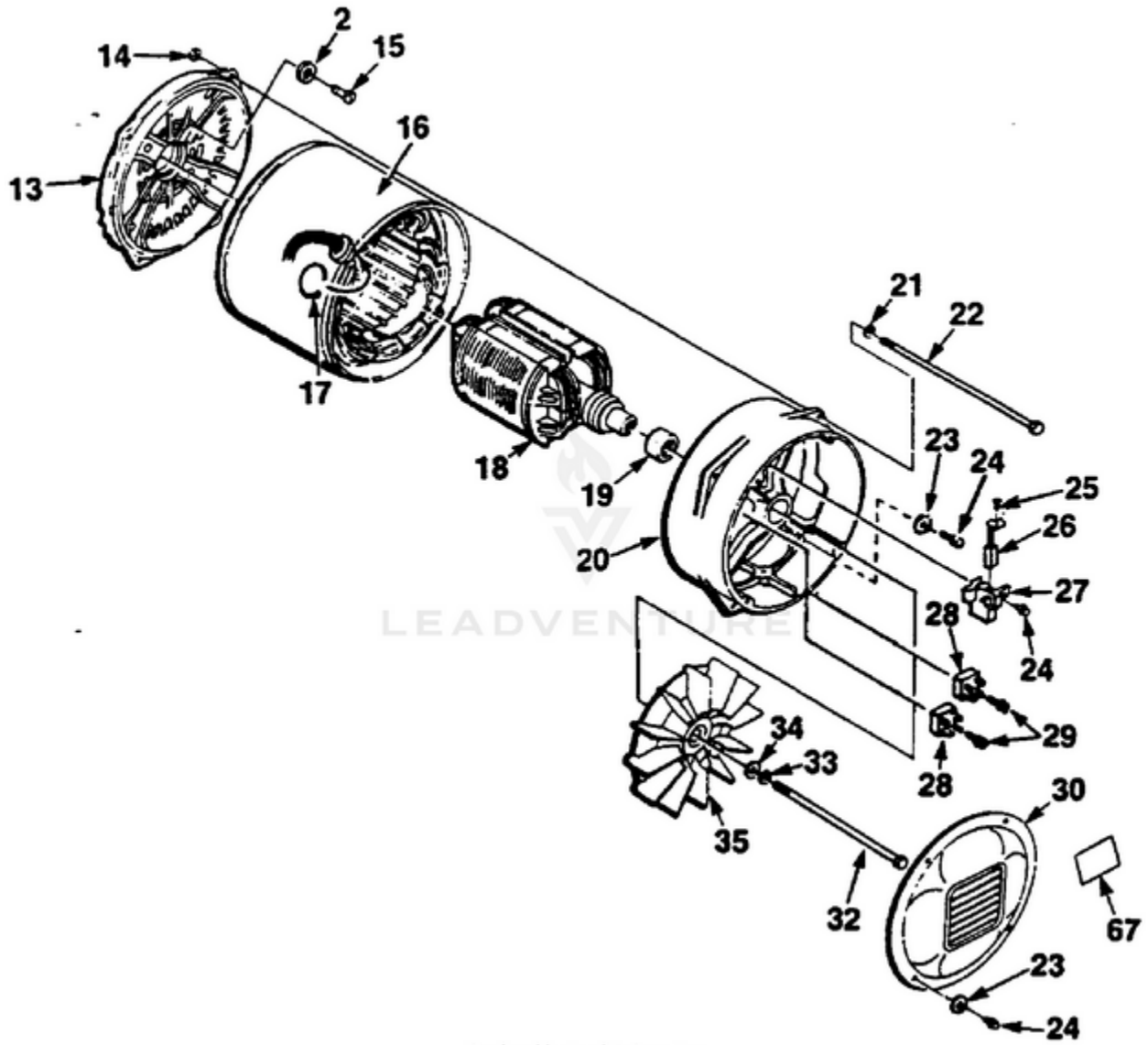
172R24 Generator UT-03627 - Control Box & Frame



Ref #	Part #	Description	Qty	Context	Note
1	80288	SCREW- Cap Hex Hd. 5/16-18 x 3/4	2		
2	83033	WASHER- Lock Int. 5/16	10		
3	49484S	ENGINE- 4.6 H.P. ROBIN	1		
4	49369	BRACKET-Lite	1		
5	49389	DECAL- Low Oil	1		
6	49466	SPACER	1		
7	81162	NUT- Hex 5/16-18	10		
8	83081	WASHER-Int.	12		
9	49465	SUPPORT- Eng. & Gen.	2		
10	A49399	STRAP-Ground	1		
11	49367	ISOLATOR-Vibration	4		
12	82206	SCREW-Hex taptite 5/16-18 x 1"	2		
23	83022	WASHER-Lock Int. #8	10		
31	A494601	ROLL CAGE	1		
33	83002	WASHER- Lock 5/16"	1		
36	80582	SCREW- #8- 32 x 5/8"	4		
37	A48999B	VOLTAGE REGULATOR	1		
38	49498	SPACER- 1/4"	4		
39	49122	GROMMET	1		
40	49490	DECAL-Ground	1		
41	A494681	CONTROL BOX	1		
42	84111	WASHER-Flat #8	4		
43	83060	WASHER-Lock #8	4		
44	81009	NUT- Hex 8-32	4		
45	49491	DECAL-Schematic	1		
46	49495	DECAL- Warning	1		
47	A49366	PILOT LITE	1		
48	49472	VOLTMETER	1		
49	50991	RECEPTACLE- Duplex	1		
50	48952	BREAKER- Circuit (AC)	1		
51	49298	BREAKER- Circuit (DC)	1		
52	82322	SCREW- Pan hd. 1/4-20 x 3/4"	4		
53	84006	WASHER- Flat 1/4"	4		
54	49350	SLEEVE- Grommet	4		
55	49351	GROMMET- Isolator	4		
56	81264	NUT- Hex 10-32	2		
57	84003	WASHER- Flat #10	2		
58	83025	WASHER- Lock #10	2		
59	494701	CONTROL PANEL	1		
60	80085	SCREW- Cap hex hd. 5/16-18 x 1"	1		
61	81015	NUT- Wing 5/16-18	1		

<b>Ref #</b>	<b>Part #</b>	<b>Description</b>	<b>Qty</b>	<b>Context Note</b>
62	81018	NUT- Hex 5/16-18	1	
63	80577	SCREW- Pan hd., 8-32 x 3/8"	4	
64	49292	POST- Binding (Black)	1	
65	49293	POST- Binding (Red)	1	
66	49598	DECAL- Caution	1	
68	A49380	LEAD- D.C.	1	

172R24 Generator UT-03627 - Generator

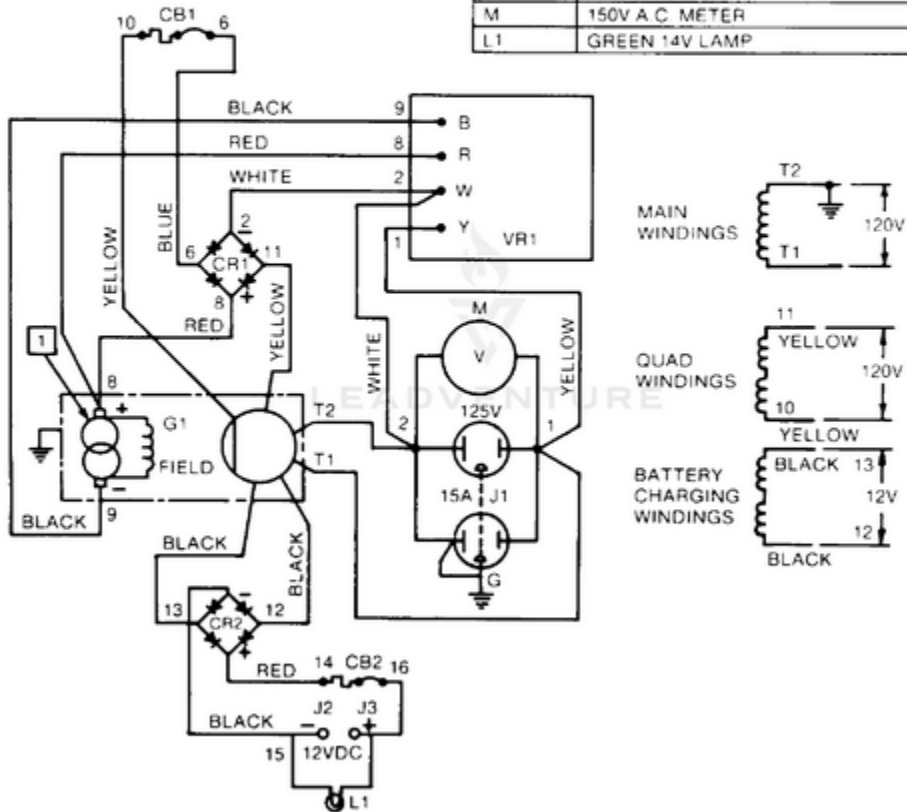


Rendered by LeadVenture, Inc.

Ref #	Part #	Description	Qty	Context Note
2	83033	WASHER- Lock Int. 5/16	10	
13	537526	ENDBELL- Gen.	1	
14	81053	NUT-Hex 1/4-20	4	
15	80604	SCREW-Hex hd., 5/16-24	4	
16	A49476S	STATOR & SHELL	1	
17	46840	TIE-Cable	4	
18	A49475S	ROTOR	1	
19	53819	BEARING	1	
20	537592	BRUSH HEAD	1	
21	83070	WASHER-Lock	4	
22	49480	BOLT- Stator	4	
23	83022	WASHER-Lock Int. #8	10	
24	82474	SCREW- Thread forming	7	
25	80260	SCREW- Mach round hd.	3	
26	53762	BRUSH	2	
27	53760	BRUSH HOLDER	1	
28	53818	RECTIFIER	2	
29	82205	SCREW- Hex taptite, 8-32 x 3/4"	3	
30	513941	COVER- Brush head	1	
32	4885204	BOLT- Rotor .312-24 x 6 1/2"	1	
33	83002	WASHER- Lock 5/16"	1	
34	84058	WASHER-Flat 5/16"	1	
35	A53769	FAN	1	
67	49613	DECAL-Warning	1	

# 172R24 Generator UT-03627 - Wiring Diagram

PART	DESCRIPTION
G1	REVOLVING FIELD GENERATOR
CR1, CR2	FULL WAVE BRIDGE RECTIFIER
VR1	ELECTRONIC VOLTAGE REGULATOR
CB1	THERMAL CIRCUIT BREAKER
J1	125V DUPLEX RECEPTACLE
J2	BLACK BANANA BINDING POST
J3	RED BANANA BINDING POST
CB2	12V D.C. CIRCUIT BREAKER
M	150V A.C. METER
L1	GREEN 14V LAMP



NOTE: [1] SLIP RING CLOSEST TO BEARING.

Rendered by LeadVenture, Inc.