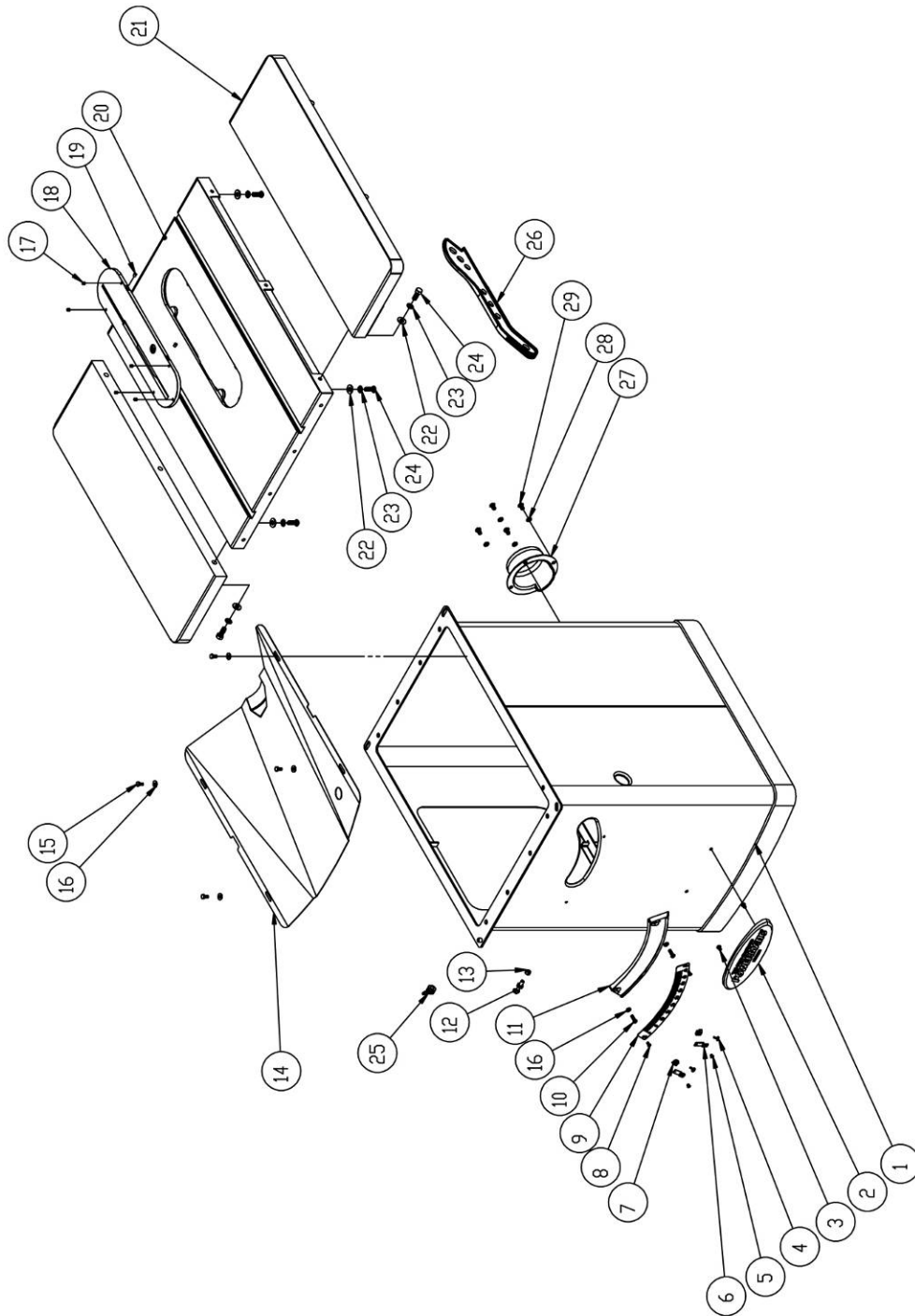


# Replacement Parts

To order parts or reach our service department, call 1-800-274-6848, Monday through Friday (see our website for business hours, [www.powermatic.com](http://www.powermatic.com)). Having the Model Number and Serial Number of your machine available when you call will allow us to serve you quickly and accurately.

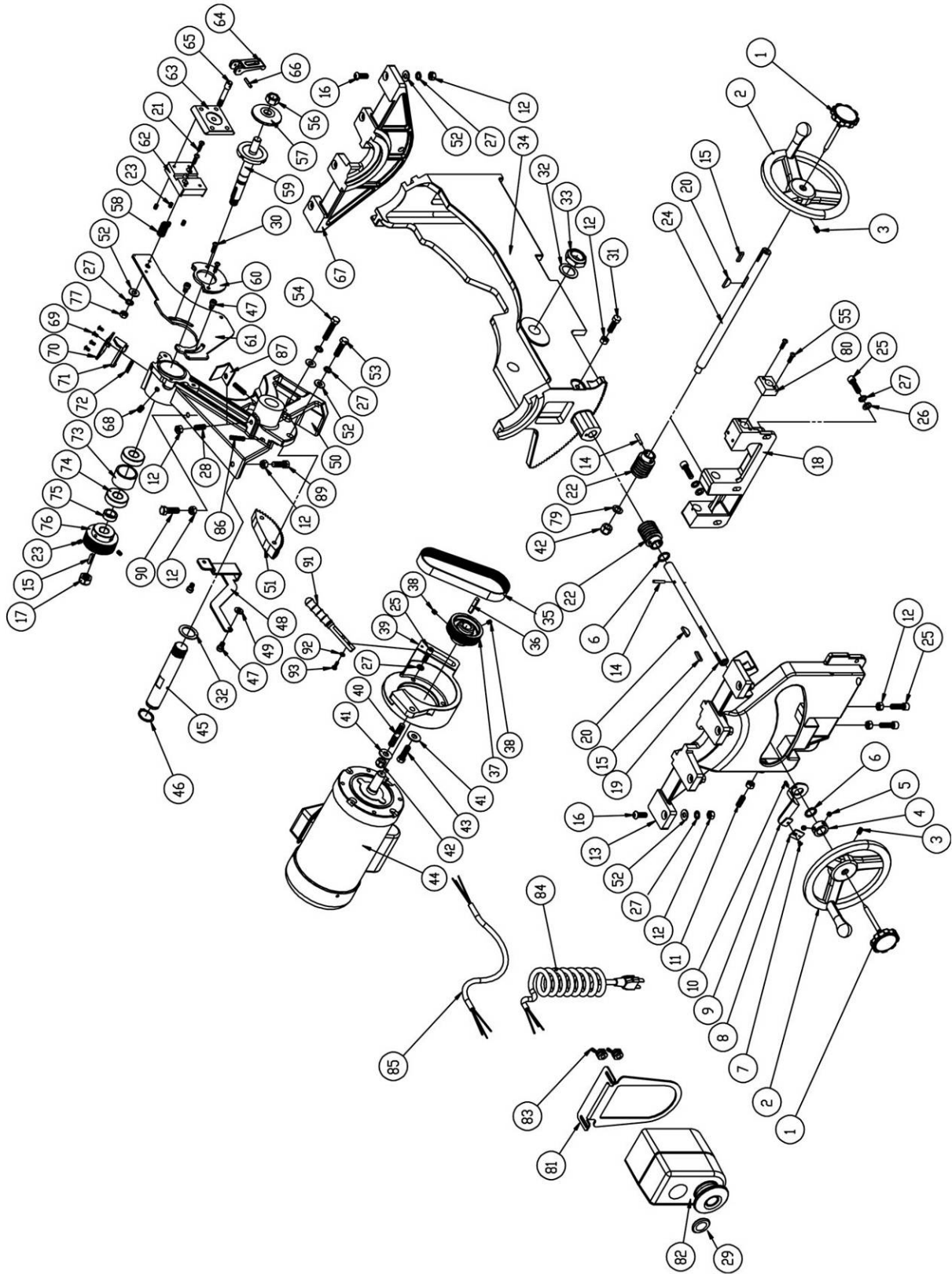
## Table & Cabinet Assembly



## Table & Cabinet Assembly Parts List

| Index No. | Part No.    | Description                       | Size        | Qty |
|-----------|-------------|-----------------------------------|-------------|-----|
| 1         | PM3000-101  | Cabinet                           |             | 1   |
| 2         | PM2000-105  | Powermatic Name Plate             |             | 1   |
| 3         | TS-0254011  | Button Head Socket Screw          | 1/4-20x3/8  | 2   |
| 4         | PM2000-107  | Lock Screw                        |             | 2   |
| 5         | TS-081C011  | Flat Head Machine Screw           | #10-24x1/4  | 2   |
| 6         | PM2000-109  | Pointer                           |             | 2   |
| 7         | PM2000-110  | Pointer Block                     |             | 2   |
| 8         | TS-081C032  | Pan Head Screw                    | #10-24x1/2  | 2   |
| 9         | PM2000-112  | Tilt Angle Scale                  |             | 1   |
| 10        | TS-0254021  | Button Head Socket Screw          | 1/4-20x1/2  | 2   |
| 11        | PM2000-114  | Scale Base                        |             | 1   |
| 12        | PM2000-115  | Latch Post                        |             | 1   |
| 13        | TS-0561021  | Hex Nut                           | 5/16-18     | 1   |
| 14        | PM3000-114  | Dust Plate                        |             | 1   |
| 15        | TS-0050011  | Hex Cap Screw                     | 1/4-20x1/2  | 4   |
| 16        | TS-0680021  | Flat Washer                       | 1/4         | 6   |
| 17        | TS-0267021  | Set Screw                         | 1/4-20x1/4  | 5   |
| 18        | PM3000-118  | Table Insert                      |             | 1   |
| 19        | PM2000-124  | Ball Plunger                      |             | 2   |
| 20        | PM3000-120  | Table                             |             | 1   |
| 21        | PM3000-121  | Extension Table                   |             | 2   |
| 22        | TS-0680041  | Flat Washer                       | 3/8         | 10  |
| 23        | TS-0720091  | Lock Washer                       | 3/8         | 10  |
| 24        | TS-0060051  | Hex Cap Screw                     | 3/8-16x1    | 10  |
| 25        | PM2000-130A | Strain Relief (for 5HP / 1Ph)     |             | 1   |
|           | PM2000-130  | Strain Relief (for 7-1/2HP / 3Ph) |             | 1   |
| 26        | PM2000-135  | Push Stick                        |             | 1   |
| 27        | PM2000-132  | Dust Chute                        |             | 1   |
| 28        | TS-0720081  | Lock Washer                       | 5/16        | 4   |
| 29        | TS-0255021  | Button Head Socket Screw          | 5/16-18x1/2 | 4   |

# Trunnion & Motor Assembly



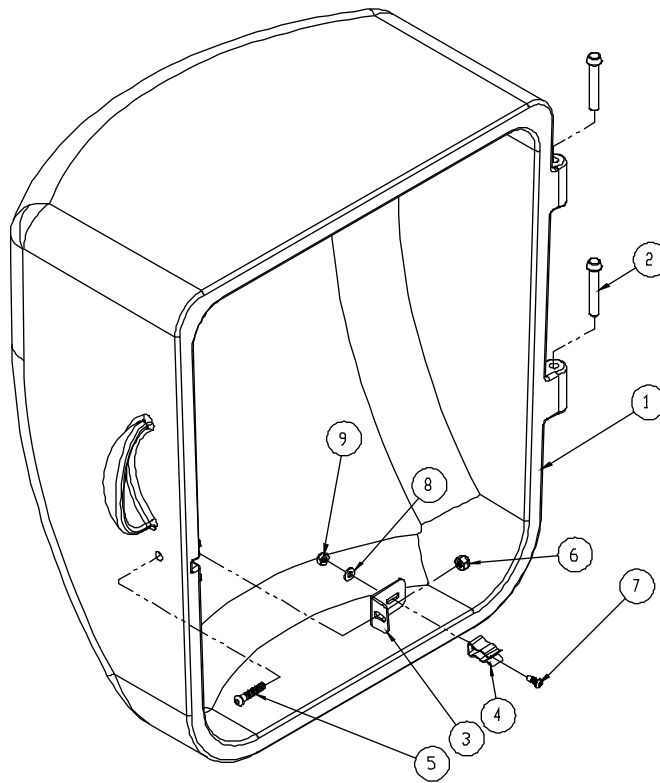
## Trunnion & Motor Assembly Parts List

| Index No. | Part No.    | Description                          | Size                   | Qty |
|-----------|-------------|--------------------------------------|------------------------|-----|
| 1         | PM2000-201  | Knob                                 |                        | 2   |
| 2         | PM2000-202  | Hand Wheel                           |                        | 2   |
| 3         | TS-0270051  | Set Screw                            | 5/16-18x1/2            | 2   |
| 4         | PM2000-204  | Collar                               |                        | 1   |
| 5         | TS-0270011  | Set Screw                            | 5/16-18x1/4            | 2   |
| 6         | PM2000-206  | Washer                               |                        | 1   |
| 7         | TS-0810012  | Round Head Screw                     | #10-24x1/4             | 1   |
| 8         | PM2000-208  | Pointer                              |                        | 1   |
| 9         | PM2000-209  | Bracket                              |                        | 1   |
| 10        | PM2000-210  | Roll Pin                             |                        | 1   |
| 11        | TS-0271131  | Set Screw                            | 3/8-16x2               | 1   |
| 12        | TS-0561031  | Hex Nut                              | 3/8-16                 | 15  |
| 13        | PM2000-213  | Front Trunnion                       |                        | 1   |
| 14        | PM2000-222  | Roll Pin                             |                        | 2   |
| 15        | PM2000-215  | Key                                  | 5x5x25                 | 3   |
| 16        | TS-0256051  | Button Head Socket Screw             | 3/8-16x1               | 8   |
| 17        | PM2000-218  | Lock Nut                             | 5/8-18 L.H.            | 1   |
| 18        | PM3000-218  | Support Base                         |                        | 1   |
| 19        | PM3000-219  | Raising Shaft                        |                        | 1   |
| 20        | PM2000-221  | Woodruff Key                         |                        | 2   |
| 21        | TS-0254021  | Button Head Socket Screw             | 1/4-20x1/2             | 2   |
| 22        | PM2000-224  | Worm                                 |                        | 2   |
| 23        | TS-0267041  | Set Screw                            | 1/4-20x3/8             | 6   |
| 24        | PM3000-224  | Shaft                                |                        | 1   |
| 25        | TS-0209061  | Socket Head Cap Screw                | 3/8-16x1-1/4           | 9   |
| 26        | TS-0680041  | Flat Washer                          | 3/8                    | 3   |
| 27        | TS-0720091  | Lock Washer                          | 3/8                    | 18  |
| 28        | TS-0271011  | Set Screw                            | 3/8-16x1-1/4           | 1   |
| 29        | PM2000-298  | Safety Key for Magnetic Switch       |                        | 1   |
| 30        | TS-081F051  | Flat Head Machine Screw              | 1/4-20x3/4             | 2   |
| 31        | TS-0060061  | Hex Cap Screw                        | 3/8-16x1-1/4           | 1   |
| 32        | PM2000-236  | Washer                               |                        | 2   |
| 33        | PM2000-237  | Lock Nut                             | 1-1/8-12               | 1   |
| 34        | PM3000-234  | Center Trunnion                      |                        | 1   |
| 35        | PM3000-235  | Poly-V Belt                          |                        | 1   |
| 36        | PM2000-240  | Key                                  | 7x7x25                 | 1   |
| 37        | PM2000-241  | Motor Pulley                         |                        | 1   |
| 38        | TS-0270031  | Set Screw                            | 5/16-18x3/8            | 2   |
| 39        | PM2000-243  | Motor Base                           |                        | 1   |
| 40        | PM2000-244  | Stud                                 |                        | 1   |
| 41        | TS-0680061  | Flat Washer                          | 1/2                    | 2   |
| 42        | TS-0640111  | Nylon Insert Lock Nut                | 1/2-13                 | 2   |
| 43        | TS-0070031  | Hex Cap Screw                        | 1/2-13x1-1/2           | 1   |
| 44        | PM3000-244  | Motor                                | 5HP, 230V, 1Ph         | 1   |
|           | PM3000-MF   | Motor Fan (not shown)                |                        | 1   |
|           | PM3000-MFCA | Motor Fan Cover (not shown)          |                        | 1   |
|           | PM2000-CSA  | Centrifugal Switch (not shown)       |                        | 1   |
|           | PM3000-SCA  | Starting Capacitor (not shown)       | 250MFD, 250VAC         | 1   |
|           | PM2000-RCA  | Running Capacitor (not shown)        | 35µF, 450VAC           | 1   |
|           | PM2000-SCCA | Starting Capacitor Cover (not shown) |                        | 1   |
|           | PM3000-JBA  | Junction Box (not shown)             |                        | 1   |
|           | PM3000-JBC  | Junction Box Cover (not shown)       |                        | 1   |
|           | PM3000-244A | Motor                                | 7-1/2HP, 230/460V, 3Ph | 1   |
|           | PM3000-MFA  | Motor Fan (not shown)                |                        | 1   |
|           | PM3000-MFCA | Motor Fan Cover (not shown)          |                        | 1   |
|           | PM2000-JB   | Junction Box (not shown)             |                        | 1   |
|           | PM2000-JBC  | Junction Box Cover (not shown)       |                        | 1   |

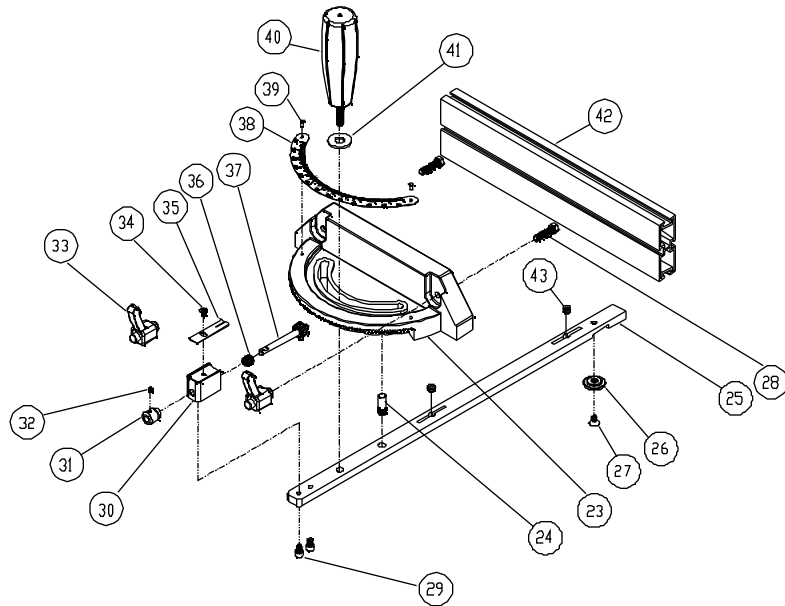
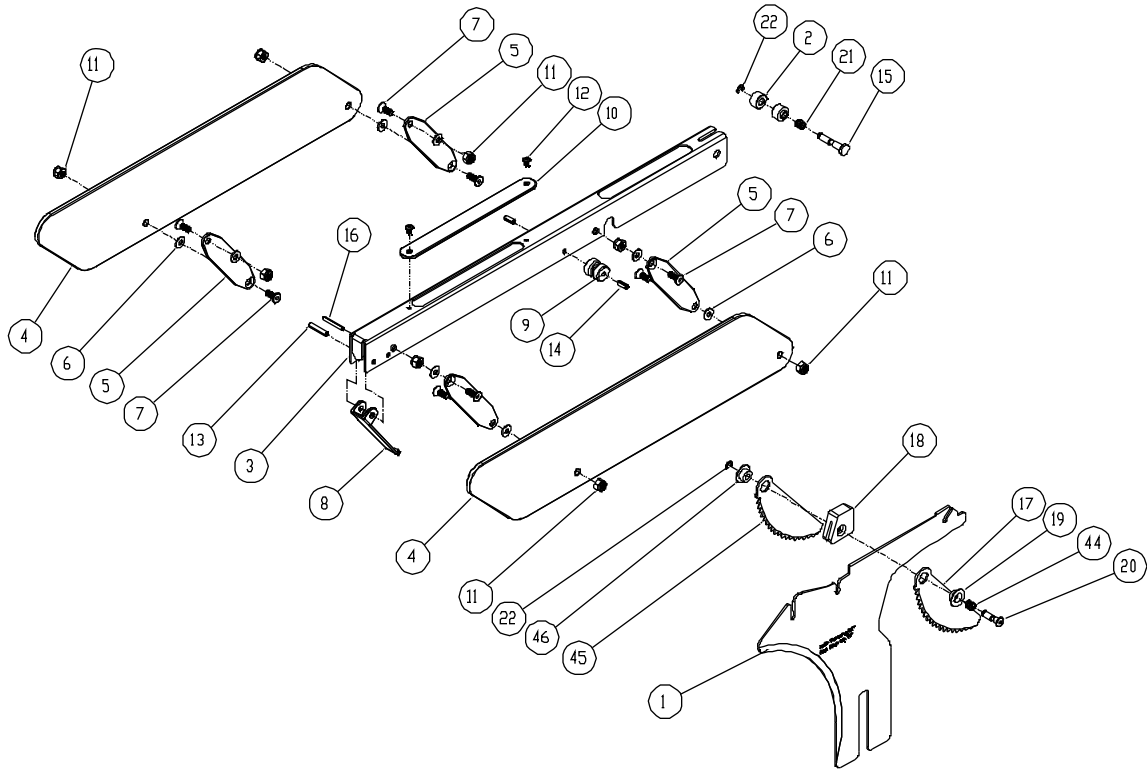
| Index No. | Part No.    | Description  | Size               | Qty |
|-----------|-------------|--|--------------------|-----|
| 45        | PM2000-245  | Shaft  |                    | 1   |
| 46        | PM2000-250  | Retaining Ring                                     |                    | 1   |
| 47        | PM2000-251  | Shoulder Screw                                     |                    | 4   |
| 48        | PM3000-248  | Extension Support Bracket                          |                    | 1   |
| 49        | TS-0680031  | Flat Washer  | 5/16               | 2   |
| 50        | PM3000-250  | Bearing Arm  |                    | 1   |
| 51        | PM2000-255  | Gear Block   |                    | 1   |
| 52        | TS-0680041  | Flat Washer  | 3/8                | 3   |
| 53        | TS-0060071  | Hex Cap Screw                                      | 3/8-16x1-1/2       | 1   |
| 54        | TS-0060091  | Hex Cap Screw                                      | 3/8-16x2           | 1   |
| 55        | PM2000-405  | Button Head Socket Screw                           | 1/4-20x1-1/4       | 1   |
| 56        | PM3000-256  | Arbor Nut  |                    | 1   |
| 57        | PM3000-257  | Arbor Collar                                       |                    | 1   |
| 58        | PM2000-263  | Spring   |                    | 1   |
| 59        | PM3000-259  | Arbor  |                    | 1   |
|           | PM3000-AA   | Arbor Assembly (Index #56, #57, #59, #73 thru #75) |                    |     |
| 60        | PM3000-260  | Fixed Plate  |                    | 1   |
| 61        | PM3000-261  | Riving Knife Extension Plate                       |                    | 1   |
| 62        | PM2000-267  | Clamping Block                                     |                    | 1   |
| 63        | PM2000-268  | Clamping Block                                     |                    | 1   |
| 64        | PM2000-269  | Lock Handle  |                    | 1   |
| 65        | PM2000-270  | Locking Pin  |                    | 1   |
| 66        | PM2000-271  | Roll Pin   |                    | 1   |
| 67        | PM2000-272  | Rear Trunnion                                      |                    | 1   |
| 68        | TS-0271031  | Set Screw  | 3/8-16x3/8         | 1   |
| 69        | TS-081C032  | Pan Head Screw                                     | #10-24x1/2         | 4   |
| 70        | PM2000-275  | Plate  |                    | 1   |
| 71        | PM3000-271  | Arbor Lock Insert                                  |                    | 1   |
| 72        | PM2000-277  | Spring   |                    | 1   |
| 73        | PM3000-273  | Bushing  |                    | 1   |
| 74        | BB-6205VV   | Ball Bearing                                       | 6205VV             | 2   |
| 75        | PM3000-275  | Bushing  |                    | 1   |
| 76        | PM3000-276  | Arbor Pulley                                       |                    | 1   |
| 77        | TS-0640091  | Nylon Insert Lock Nut                              | 3/8-16             | 1   |
| 79        | PM2000-286  | Washer   |                    | 1   |
| 80        | PM3000-280  | Block  |                    | 1   |
| 81        | PM2000-292  | Switch Plate                                       |                    | 1   |
| 82        | PM2000-293A | Magnetic Switch                                    | 5HP, 230V, 1Ph     | 1   |
|           | PM3000-282  | Magnetic Switch                                    | 7-1/2HP, 230V, 3Ph | 1   |
|           | PM3000-282A | Magnetic Switch                                    | 7-1/2HP, 460V, 3Ph | 1   |
| 83        | PM2000-294A | Strain Relief (for 5HP/1Ph)                        |                    | 2   |
|           | PM2000-294  | Strain Relief (for 7-1/2HP/3Ph)                    |                    | 2   |
| 84        | PM2000-295A | Power Cord (for 5HP/1Ph)                           |                    | 1   |
|           | PM2000-295B | Power Cord (for 7-1/2HP/3Ph)                       |                    | 1   |
| 85        | PM2000-296A | Motor Cord (for 5HP/1Ph)                           |                    | 1   |
|           | PM2000-296B | Motor Cord (for 7-1/2HP/3Ph)                       |                    | 1   |
| 86        | TS-0270101  | Set Screw  | 5/16-18x1-1/4      | 2   |
| 87        | PM3000-287  | Dust Shield  |                    | 1   |
| 88        | 477460      | Combination Wrench (not shown)                     | 32mm               | 1   |
| 89        | TS-0060111  | Hex Cap Screw                                      | 3/8-16x1-1/2       | 1   |
| 90        | TS-0060091  | Hex Cap Screw                                      | 3/8-16x2           | 1   |
| 91        | PM3000-291  | Handle   |                    | 1   |
| 92        | TS-0720071  | Lock Washer  | 1/4                | 2   |
| 93        | TS-0207041  | Socket Head Cap Screw                              | 1/4-20x3/4         | 2   |

## Motor Cover Assembly

| Index No. | Part No.   | Description                                    | Size         | Qty |
|-----------|------------|--|--------------|-----|
| .....     | 6827044    | PM2000 Motor Cover Assembly (Index #1 thru #9) |              | 1   |
| 1.....    | PM2000-401 | Cover  |              | 1   |
| 2.....    | PM2000-402 | Hinge Pin                                      |              | 2   |
| 3.....    | PM2000-403 | Bracket  |              | 1   |
| 4.....    | PM2000-404 | Latch Clip                                     |              | 1   |
| 5.....    | PM2000-405 | Button Head Socket Screw                       | 1/4-20x1-1/4 | 1   |
| 6.....    | TS-0640071 | Nylon Insert Lock Nut                          | 1/4-20       | 1   |
| 7.....    | TS-081C032 | Pan Head Screw                                 | #10-24x1/2   | 1   |
| 8.....    | TS-069204  | Flat Washer                                    | #10          | 1   |
| 9.....    | TS-0560071 | Hex Nut  | #10-24       | 1   |



# Blade Guard & Miter Gauge Assembly



## Blade Guard & Miter Gauge Assembly Parts List

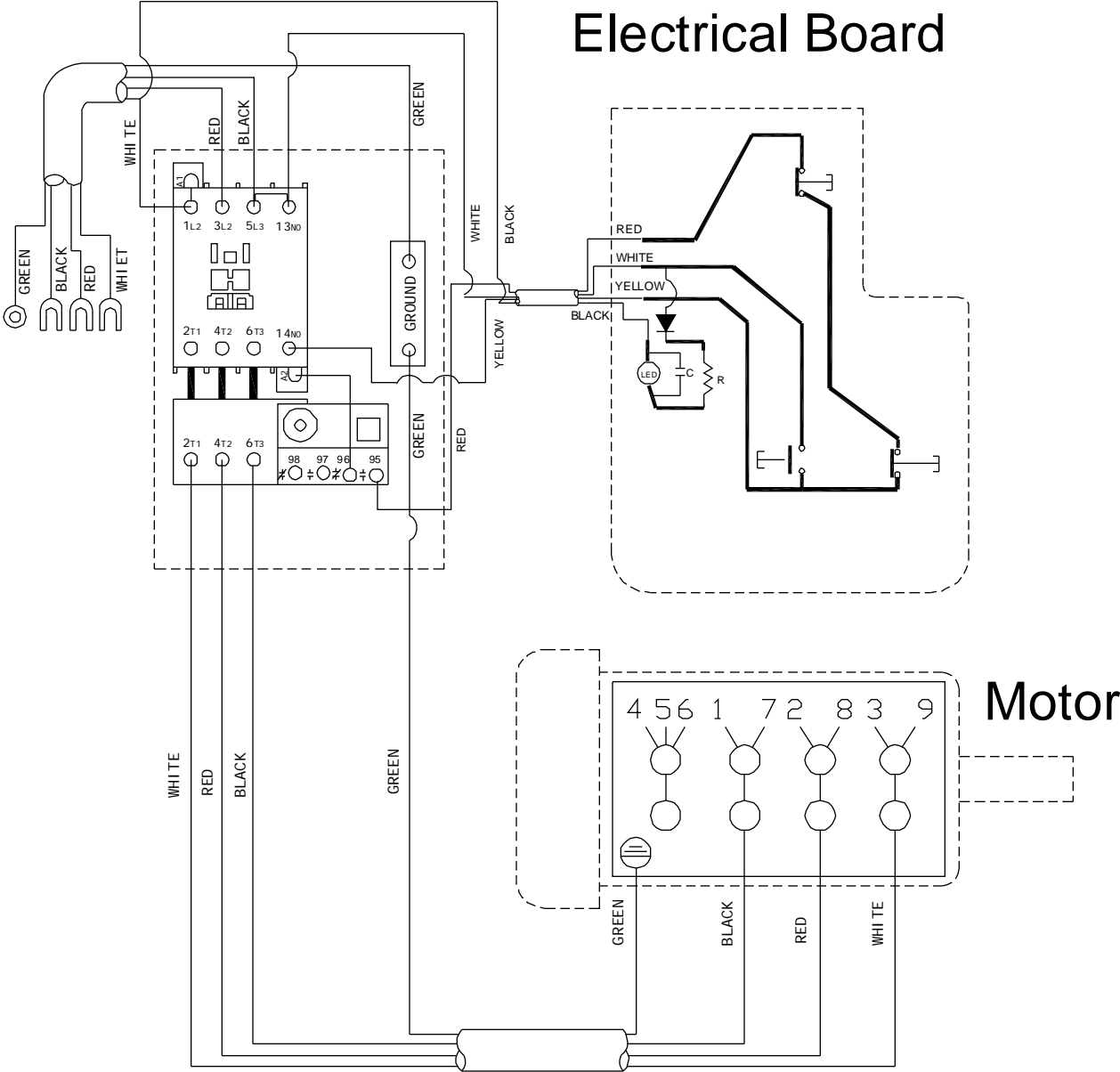
| Index No. | Part No.    | Description   | Size       | Qty |
|-----------|-------------|---|------------|-----|
| 1         | PM3000-301  | Riving Knife  |            | 1   |
|           | PM3000-BGA  | Blade Guard Assembly (Index #2 thru 16, 21, 22)                 |            | 1   |
| 2         | PM2000-302  | Bushing   |            | 2   |
| 3         | PM3000-303  | Blade Guard Body  |            | 1   |
| 4         | PM3000-304  | Blade Guard Side Shield   |            | 2   |
| 5         | PM3000-305  | Linking Plate   |            | 4   |
| 6         | TS-1550041  | Flat Washer   | M6         | 8   |
| 7         | TS-1514021  | Flat Head Socket Screw  | M6x16      | 8   |
| 8         | PM3000-308  | Front Shield  |            | 1   |
| 9         | PM2000-309  | Bushing   |            | 1   |
| 10        | PM2000-310  | Top Sight Shield  |            | 1   |
| 11        | TS-1541021  | Nylon Insert Lock Nut   | M6         | 8   |
| 12        | TS-081B012  | Pan Head Screw  | #8-32x1/4  | 2   |
| 13        | PM2000-313  | Roll Pin  | 5x25       | 1   |
| 14        | PM2000-314  | Roll Pin  | 5x12       | 2   |
| 15        | PM2000-315  | Lock Pin  |            | 1   |
| 16        | PM2000-316  | Roll Pin  | 4x30       | 1   |
|           | PM3000-AKPA | Anti-Kickback Pawl Assembly (Index #17 thru 20, 22, 44, 45, 46) |            | 1   |
| 17        | PM3000-317  | Right Anti-Kickback Pawl  |            | 1   |
| 18        | PM2000-318  | Pawl Base   |            | 1   |
| 19        | PM2000-319  | Right Flange  |            | 1   |
| 20        | PM2000-320  | Lock Pin  |            | 1   |
| 21        | PM2000-321  | Spring  |            | 1   |
| 22        | PM2000-322  | E-Clip  |            | 2   |
|           | 1791789     | Miter Gauge Assembly (Index #23 thru 43)                        |            | 1   |
| 23        | PM2000-323  | Miter Gauge Body  |            | 1   |
| 24        | PM2000-324  | Pin   |            | 1   |
| 25        | PM2000-325  | Miter Bar   |            | 1   |
| 26        | PM2000-326  | Guide Washer  |            | 1   |
| 27        | PM2000-327  | Flat Head Machine Screw   | M6x9       | 1   |
| 28        | TS-0050051  | Hex Cap Screw   | 1/4-20x1   | 2   |
| 29        | PM2000-329  | Socket Head Cap Screw   | M5x8       | 2   |
| 30        | PM2000-330  | Support Base  |            | 1   |
| 31        | PM2000-331  | Knob  |            | 1   |
| 32        | TS-1521011  | Set Screw   | M4x4       | 1   |
| 33        | PM2000-333  | Locking Handle  |            | 2   |
| 34        | TS-0810012  | Round Head Screw  | #10-24x1/4 | 1   |
| 35        | PM2000-335  | Pointer   |            | 1   |
| 36        | PM2000-336  | Spring  |            | 1   |
| 37        | PM2000-337  | Gear Shaft  |            | 1   |
| 38        | PM2000-338  | Scale   |            | 1   |
| 39        | PM2000-339  | Rivet   |            | 2   |
| 40        | PM2000-340  | Handle  |            | 1   |
| 41        | TS-0680031  | Flat Washer   | 5/16       | 1   |
| 42        | PM2000-342  | Fence   |            | 1   |
| 43        | PM2000-343  | Set Screw   | M8x6       | 2   |
| 44        | PM3000-344  | Spring  |            | 1   |
| 45        | PM3000-345  | Left Anti-Kickback Pawl   |            | 1   |
| 46        | PM2000-345  | Left Flange   |            | 1   |



# Electrical Connections – 7.5HP 3PH 230V

## Magnetic Switch

## Electrical Board



# Electrical Connections – 7.5HP 3PH 460V

## Magnetic Switch

## Electrical Board

