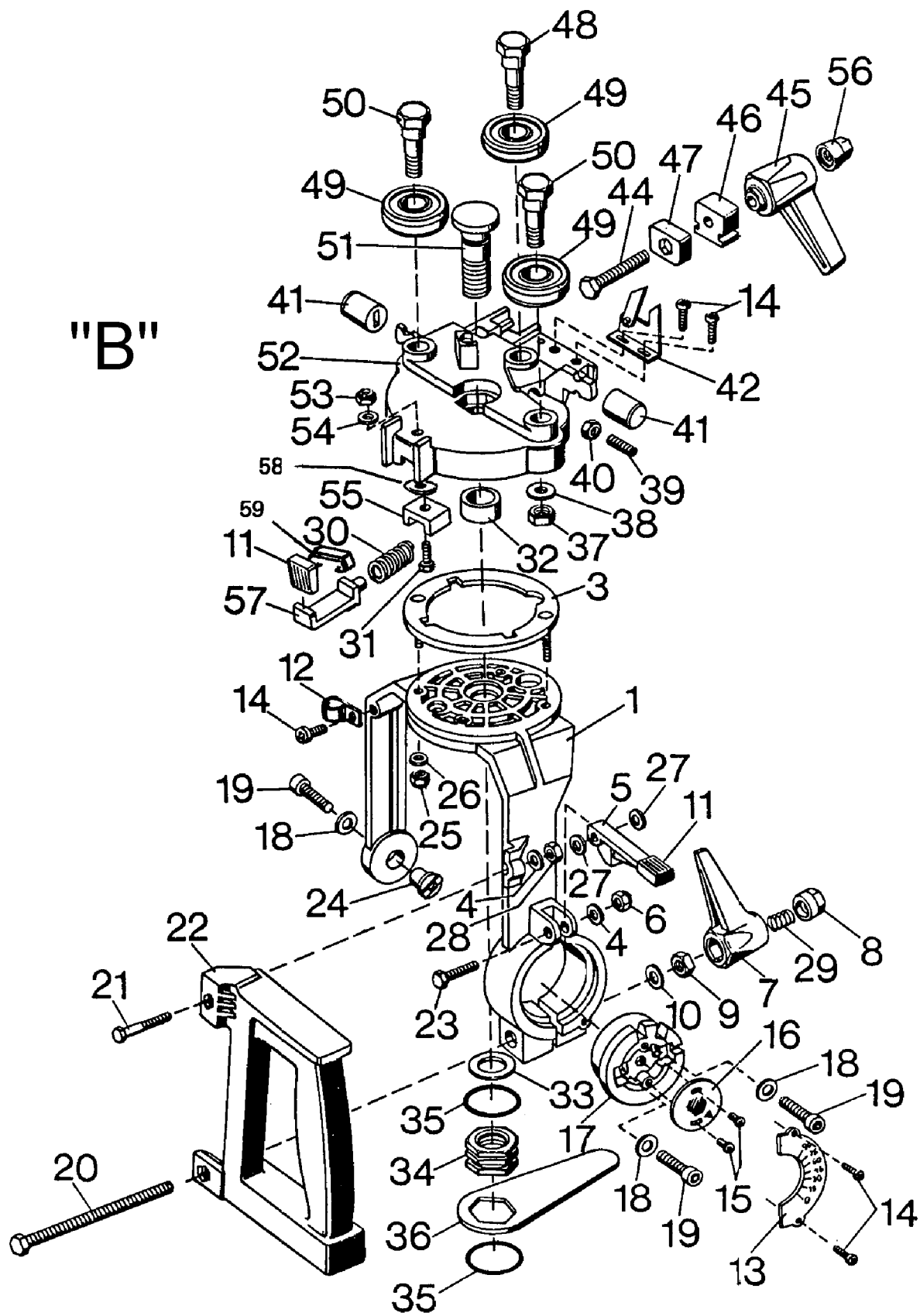
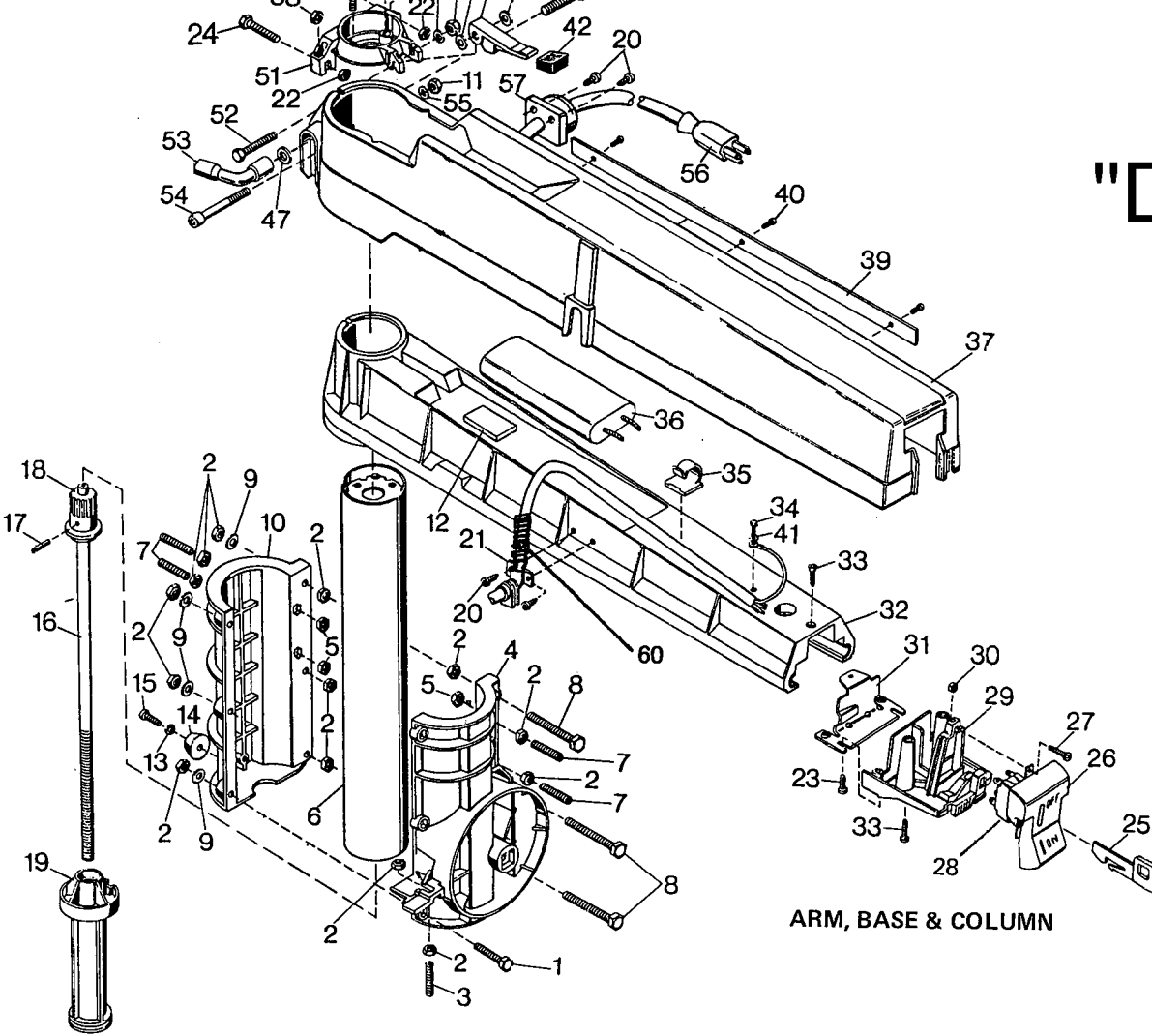


"B"

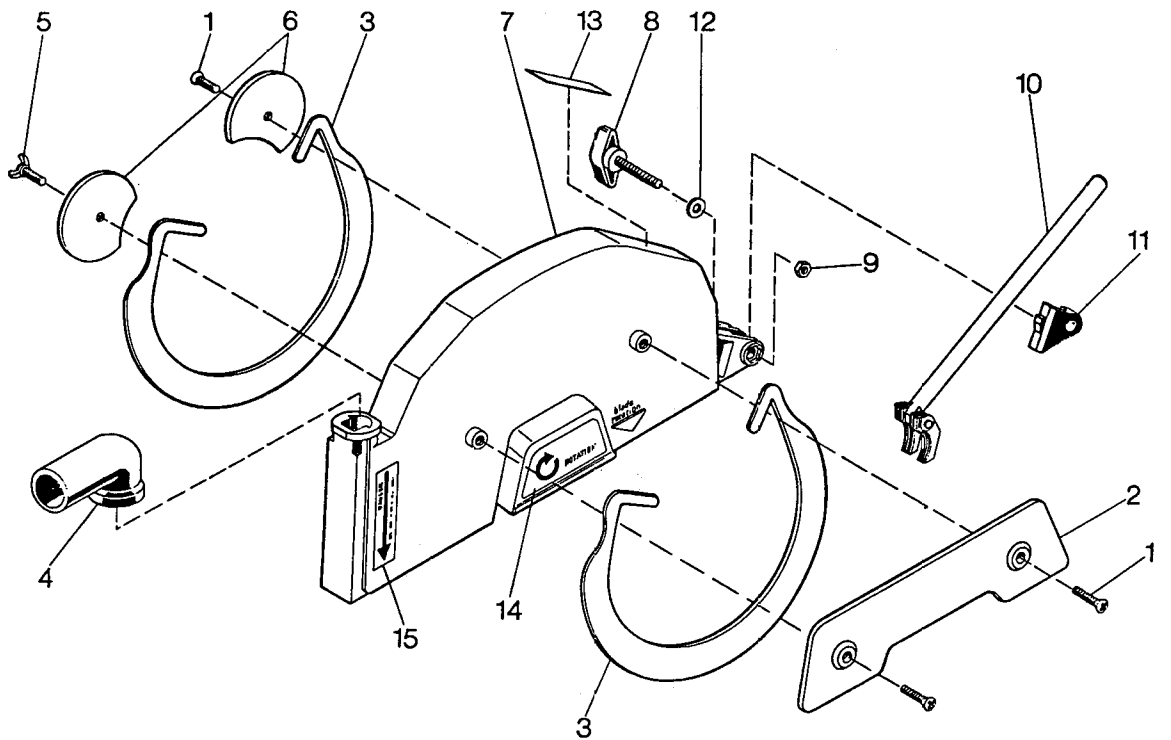


"D"



ARM, BASE & COLUMN

"C"



Parts List for 1712 Type 1

| Item Number | Part Number | Description | Qty Required |
|-------------|-------------|---------------------|--------------|
| 1 | 000000-00 | No Longer Available | 4 |
| 2 | 000000-00 | No Longer Available | 14 |
| 3 | 000000-00 | No Longer Available | 1 |
| 4 | 000000-00 | No Longer Available | 1 |
| 5 | 000000-00 | No Longer Available | 1 |
| 6 | 000000-00 | No Longer Available | 1 |
| 7 | 000000-00 | No Longer Available | 8 |
| 8 | 000000-00 | No Longer Available | 8 |
| 9 | 330015-02 | NUT,HEX | 13 |
| 10 | 000000-00 | No Longer Available | 6 |
| 11 | 000000-00 | No Longer Available | 1 |
| 12 | 000000-00 | No Longer Available | 1 |
| 13 | 000000-00 | No Longer Available | 1 |
| 14 | 000000-00 | No Longer Available | 2 |
| 15 | 000000-00 | No Longer Available | 8 |
| 16 | 000000-00 | No Longer Available | 6 |
| 17 | 000000-00 | No Longer Available | 1 |
| 18 | 000000-00 | No Longer Available | 4 |
| 19 | 760563-00 | CLAMP | 2 |
| 20 | 000000-00 | No Longer Available | 2 |
| 22 | 863310-00 | KNOB | 3 |
| 23 | 5140110-60 | HEX NUT | 1 |
| 24 | 000000-00 | No Longer Available | 1 |
| 25 | 000000-00 | No Longer Available | 1 |
| 26 | 000000-00 | No Longer Available | 1 |
| 27 | 000000-00 | No Longer Available | 1 |
| 28 | 000000-00 | No Longer Available | 1 |

Parts List for 1712 Type 1

| Item Number | Part Number | Description | Qty Required |
|-------------|-------------|---------------------|--------------|
| 30 | 000000-00 | No Longer Available | 4 |
| 31 | 000000-00 | No Longer Available | 1 |
| 32 | 860085-04 | SCREW | 1 |
| 34 | 000000-00 | No Longer Available | 1 |
| 36 | 000000-00 | No Longer Available | 19 |
| 37 | 330015-03 | NUT,HEX | 2 |
| 38 | 000000-00 | No Longer Available | 1 |
| 39 | 000000-00 | No Longer Available | 1 |
| 40 | 000000-00 | No Longer Available | 1 |
| 101 | 000000-00 | No Longer Available | 1 |
| 102 | 000000-00 | No Longer Available | 1 |
| 104 | 000000-00 | No Longer Available | 1 |
| 105 | 000000-00 | No Longer Available | 1 |
| 106 | 000000-00 | No Longer Available | 1 |
| 107 | 330003-16 | BEARING,BALL | 1 |
| 108 | 000000-00 | No Longer Available | 1 |
| 109 | 000000-00 | No Longer Available | 1 |
| 110 | 330003-13 | BEARING,BALL | 1 |
| 111 | 000000-00 | No Longer Available | 1 |
| 112 | 000000-00 | No Longer Available | 1 |
| 113 | 000000-00 | No Longer Available | 1 |
| 114 | 000000-00 | No Longer Available | 1 |
| 115 | 000000-00 | No Longer Available | 1 |
| 116 | 000000-00 | No Longer Available | 1 |
| 117 | 000000-00 | No Longer Available | 2 |
| 118 | 000000-00 | No Longer Available | 1 |
| 119 | 000000-00 | No Longer Available | 1 |

Parts List for 1712 Type 1

| Item Number | Part Number | Description | Qty Required |
|-------------|-------------|---------------------|--------------|
| 120 | 000000-00 | No Longer Available | 1 |
| 121 | 000000-00 | No Longer Available | 1 |
| 122 | 000000-00 | No Longer Available | 1 |
| 123 | 000000-00 | No Longer Available | 1 |
| 124 | 000000-00 | No Longer Available | 1 |
| 125 | 000000-00 | No Longer Available | 1 |
| 126 | 000000-00 | No Longer Available | 1 |
| 127 | 000000-00 | No Longer Available | 2 |
| 128 | 000000-00 | No Longer Available | 2 |
| 129 | 000000-00 | No Longer Available | 1 |
| 130 | 000000-00 | No Longer Available | 1 |
| 131 | 000000-00 | No Longer Available | 1 |
| 132 | 000000-00 | No Longer Available | 1 |
| 201 | 000000-00 | No Longer Available | 1 |
| 203 | 000000-00 | No Longer Available | 1 |
| 204 | 000000-00 | No Longer Available | 1 |
| 205 | 000000-00 | No Longer Available | 1 |
| 206 | 000000-00 | No Longer Available | 2 |
| 207 | 000000-00 | No Longer Available | 1 |
| 208 | 000000-00 | No Longer Available | 1 |
| 209 | 000000-00 | No Longer Available | 1 |
| 210 | 000000-00 | No Longer Available | 1 |
| 211 | 000000-00 | No Longer Available | 1 |
| 212 | 000000-00 | No Longer Available | 1 |
| 213 | 000000-00 | No Longer Available | 1 |
| 214 | 000000-00 | No Longer Available | 1 |
| 215 | 000000-00 | No Longer Available | 1 |

Parts List for 1712 Type 1

| Item Number | Part Number | Description | Qty Required |
|-------------|-------------|---------------------|--------------|
| 216 | 000000-00 | No Longer Available | 1 |
| 217 | 000000-00 | No Longer Available | 1 |
| 218 | 860658-01 | WASHER,SPRING | 3 |
| 219 | 000000-00 | No Longer Available | 3 |
| 220 | 000000-00 | No Longer Available | 1 |
| 221 | 000000-00 | No Longer Available | 1 |
| 222 | 000000-00 | No Longer Available | 1 |
| 223 | 000000-00 | No Longer Available | 1 |
| 224 | 000000-00 | No Longer Available | 1 |
| 225 | 000000-00 | No Longer Available | 1 |
| 226 | 000000-00 | No Longer Available | 1 |
| 227 | 000000-00 | No Longer Available | 1 |
| 228 | 330015-02 | NUT,HEX | 1 |
| 229 | 000000-00 | No Longer Available | 1 |
| 230 | 000000-00 | No Longer Available | 1 |
| 231 | 000000-00 | No Longer Available | 1 |
| 232 | 000000-00 | No Longer Available | 1 |
| 233 | 000000-00 | No Longer Available | 1 |
| 234 | 000000-00 | No Longer Available | 1 |
| 235 | 000000-00 | No Longer Available | 1 |
| 236 | 000000-00 | No Longer Available | 1 |
| 237 | 000000-00 | No Longer Available | 1 |
| 238 | 860074-03 | WASHER | 3 |
| 239 | 000000-00 | No Longer Available | 1 |
| 240 | 330015-02 | NUT,HEX | 1 |
| 241 | 000000-00 | No Longer Available | 1 |
| 242 | 000000-00 | No Longer Available | 1 |

Parts List for 1712 Type 1

| Item Number | Part Number | Description | Qty Required |
|-------------|-------------|---------------------|--------------|
| 244 | 000000-00 | No Longer Available | 1 |
| 245 | 000000-00 | No Longer Available | 1 |
| 246 | 000000-00 | No Longer Available | 1 |
| 247 | 000000-00 | No Longer Available | 1 |
| 248 | 000000-00 | No Longer Available | 1 |
| 249 | 860154-00 | BEARING,BALL | 3 |
| 250 | 000000-00 | No Longer Available | 1 |
| 251 | 000000-00 | No Longer Available | 1 |
| 252 | 000000-00 | No Longer Available | 1 |
| 253 | 000000-00 | No Longer Available | 1 |
| 254 | 98179-19 | WASHER | 1 |
| 255 | 000000-00 | No Longer Available | 1 |
| 256 | 000000-00 | No Longer Available | 1 |
| 257 | 000000-00 | No Longer Available | 1 |
| 258 | 000000-00 | No Longer Available | 1 |
| 259 | 000000-00 | No Longer Available | 1 |
| 301 | 860094-06 | SCREW | 3 |
| 302 | 000000-00 | No Longer Available | 1 |
| 303 | 000000-00 | No Longer Available | 2 |
| 304 | 000000-00 | No Longer Available | 1 |
| 305 | 000000-00 | No Longer Available | 1 |
| 306 | 000000-00 | No Longer Available | 2 |
| 307 | 000000-00 | No Longer Available | 1 |
| 308 | 000000-00 | No Longer Available | 1 |
| 309 | 000000-00 | No Longer Available | 1 |
| 310 | 000000-00 | No Longer Available | 1 |
| 311 | 000000-00 | No Longer Available | 1 |

Parts List for 1712 Type 1

| Item Number | Part Number | Description | Qty Required |
|-------------|-------------|---------------------|--------------|
| 312 | 000000-00 | No Longer Available | 1 |
| 313 | 000000-00 | No Longer Available | 1 |
| 314 | 000000-00 | No Longer Available | 1 |
| 315 | 000000-00 | No Longer Available | 1 |
| 401 | 000000-00 | No Longer Available | 1 |
| 402 | 000000-00 | No Longer Available | 1 |
| 403 | 000000-00 | No Longer Available | 1 |
| 404 | 000000-00 | No Longer Available | 1 |
| 405 | 000000-00 | No Longer Available | 1 |
| 406 | 000000-00 | No Longer Available | 1 |
| 407 | 000000-00 | No Longer Available | 1 |
| 408 | 000000-00 | No Longer Available | 3 |
| 409 | 000000-00 | No Longer Available | 1 |
| 410 | 000000-00 | No Longer Available | 1 |
| 411 | 330015-02 | NUT,HEX | 1 |
| 412 | 000000-00 | No Longer Available | 1 |
| 413 | 000000-00 | No Longer Available | 1 |
| 414 | 000000-00 | No Longer Available | 1 |
| 415 | 000000-00 | No Longer Available | 1 |
| 416 | 000000-00 | No Longer Available | 1 |
| 417 | 000000-00 | No Longer Available | 1 |
| 418 | 000000-00 | No Longer Available | 1 |
| 419 | 000000-00 | No Longer Available | 1 |
| 420 | 330045-05 | LOCK SCREW | 4 |
| 421 | 000000-00 | No Longer Available | 1 |
| 422 | 330015-02 | NUT,HEX | 1 |
| 423 | 000000-00 | No Longer Available | 2 |

Parts List for 1712 Type 1

| Item Number | Part Number | Description | Qty Required |
|-------------|-------------|---------------------|--------------|
| 424 | 000000-00 | No Longer Available | 1 |
| 425 | 000000-00 | No Longer Available | 1 |
| 426 | 000000-00 | No Longer Available | 1 |
| 427 | 000000-00 | No Longer Available | 1 |
| 428 | 000000-00 | No Longer Available | 1 |
| 429 | 000000-00 | No Longer Available | 1 |
| 430 | 000000-00 | No Longer Available | 1 |
| 431 | 000000-00 | No Longer Available | 1 |
| 432 | 000000-00 | No Longer Available | 1 |
| 433 | 000000-00 | No Longer Available | 3 |
| 434 | 000000-00 | No Longer Available | 1 |
| 435 | 000000-00 | No Longer Available | 1 |
| 436 | 000000-00 | No Longer Available | 1 |
| 437 | 000000-00 | No Longer Available | 1 |
| 439 | 000000-00 | No Longer Available | 1 |
| 440 | 000000-00 | No Longer Available | 3 |
| 441 | 000000-00 | No Longer Available | 1 |
| 442 | 000000-00 | No Longer Available | 1 |
| 443 | 000000-00 | No Longer Available | 1 |
| 444 | 000000-00 | No Longer Available | 1 |
| 445 | 000000-00 | No Longer Available | 1 |
| 446 | 000000-00 | No Longer Available | 1 |
| 447 | 000000-00 | No Longer Available | 1 |
| 448 | 000000-00 | No Longer Available | 1 |
| 449 | 000000-00 | No Longer Available | 1 |
| 450 | 000000-00 | No Longer Available | 1 |
| 451 | 000000-00 | No Longer Available | 1 |

Parts List for 1712 Type 1

| Item Number | Part Number | Description | Qty Required |
|-------------|-------------|---------------------|--------------|
| 452 | 000000-00 | No Longer Available | 1 |
| 453 | 000000-00 | No Longer Available | 1 |
| 454 | 000000-00 | No Longer Available | 1 |
| 455 | 000000-00 | No Longer Available | 1 |
| 456 | 000000-00 | No Longer Available | 1 |
| 457 | 000000-00 | No Longer Available | 1 |
| 458 | 000000-00 | No Longer Available | 1 |
| 459 | 000000-00 | No Longer Available | 4 |
| 460 | 000000-00 | No Longer Available | 1 |
| 846 | 000000-00 | No Longer Available | 1 |
| 846 | 000000-00 | No Longer Available | 1 |
| 846 | 000000-00 | No Longer Available | 1 |
| 846 | 000000-00 | No Longer Available | 1 |
| 856 | 098000-11 | WRENCH | 1 |
| 856 | 000000-00 | No Longer Available | 1 |
| 856 | 604407-02 | HEX WRENCH | 1 |
| 856 | 98000-09 | WRENCH,HEX-4MM | 1 |
| 856 | 860098-04 | WRENCH | 1 |