

## Angle Grinder - 0 601 702 739 - 1702 AE

www.powertools-aftersaleservice.com



**BOSCH**

Item	Part Number	Description	Illustration	Price	Quantity	Price Group
	2 1 604 220 311	Field 100-120V		1	-,-	1 34
	3/50 1 606 610 129	Fan		1	-,-	1 12
	4 1 607 200 086	Switch		1	-,-	1 23
	5 1 604 460 198	Power supply cord USA/CDN 4,15m 2 x 2,08mm SJ 14/2		1	-,-	1 31
	6 2 600 703 011	Grommet Ø8,3-Ø9,4x95 MM		1	-,-	1 13
	6 2 600 703 012	Grommet Ø6,5-Ø6,9x95 MM		1	-,-	1 13
	6 2 600 703 013	Grommet Ø7,6-Ø8,2x95 MM		1	-,-	1 13
	7 1 601 302 018	Fastening Clamp		1	-,-	1 11
	9 1 601 118 488	Manufacturer's nameplate		1	-,-	1 15
	13 2 600 905 032	Deep-Groove Ball Bearing 7x19x6		1	-,-	1 17
	14 1 600 905 032	Deep-Groove Ball Bearing 8x22x7		1	-,-	1 18
	25 1 600 508 017	Housing Cover BLUE		1	-,-	1 19
	26 1 600 206 036	Rubber Ring		1	-,-	1 11
	27 1 600 206 025	Rubber Ring		1	-,-	1 12
	29 1 600 591 025	Air-Deflector Ring		1	-,-	1 13
	30 1 600 591 014	Air-Deflector Ring		1	-,-	1 13
	31 1 601 290 007	Clamping Spring		1	-,-	1 15
	32 1 603 523 122	Grinding Spindle 5/8"		1	-,-	1 33
	33 3 600 210 124	O-Ring 46,0x1,1 MM RED		1	-,-	1 11
	35 1 600 136 013	Shim 0,1 MM THICK		1	-,-	1 13
	35 1 600 136 020	Shim 0,15 MM THICK		1	-,-	1 13
	35 1 600 136 014	Shim 0,2 MM THICK		1	-,-	1 13
	35 1 600 136 015	Shim 0,3 MM THICK		1	-,-	1 13
	38 1 606 333 616	Crown Gear Z=38		1	-,-	1 23
	39 1 606 333 617	Bevel Gear Z=11		1	-,-	1 17
	40 1 600 119 011	Spring retaining ring		1	-,-	1 11
	41 1 600 910 018	Needle bearing Ø8xØ12x8 MM		1	-,-	1 16
	45 1 603 300 016	Hex Nut M7, SW10		1	-,-	1 11
	47 1 603 435 042	Self-Cutting Screw St3,9x12		1	-,-	1 11
	49 1 603 435 026	Thread-forming tap. Screw		1	-,-	4 11
	50 2 912 401 420	Tapping Screw DIN7981-ST3,9x19-F-Z		1	-,-	1 10
	51 1 607 233 117	Speed governor 100-110V		1	-,-	1 38
	55 1 603 435 043	Plastic-Cutting Screw		1	-,-	4 11

Item	Part Number	Description	Illustration	Price	Quantity	Price Group
80	3 600 150 021	Sealing disk	1	-,-	1	13
104	1 600 210 044	O-Ring 4,5x1,0 MM BLUE	1	-,-	1	10
105	1 601 008 005	Insulating Plate	1	-,-	2	14
180	3 601 119 141	Sticker CAUTION	1	-,-	1	15
301/1	1 605 108 213	Motor Housing BLUE	1	-,-	1	22
301/16	1 601 323 025	Brush Holder	1	-,-	2	15
301/17	1 604 652 013	Spiral Spring	1	-,-	2	11
301/18	1 602 026 057	Switch Handle BLACK	1	-,-	1	11
301/19	1 604 611 026	Compression Spring	1	-,-	1	10
301/20	1 602 319 010	Adjusting Slide BLACK	1	-,-	1	11
301/48	2 912 401 005	Tapping Screw DIN7981-ST2,9x9,5C-Z	1	-,-	2	10
650/10	1 602 025 027	Auxiliary Handle M10	2	-,-	1	19
650/20	3 603 340 503	Round Nut 5/8"	2	-,-	1	28
650/50	3 603 340 501	Clamping-Flange 5/8"-FL+B	2	-,-	1	17
750/30	1 607 950 043	Pin-Type Face-Wrench	2	-,-	1	-
751	2 605 510 101	Protective Cover Ø 125MM	2	-,-	1	-
753	1 605 438 100	Carrying Case	2	-,-	1	-
803	1 604 010 642	Armature With Fan 115-120V	1	-,-	1	42
808	1 601 106 032	Nameplate 26x52 MM	1	-,-	1	13
810	1 607 014 176	Carbon-Brush Set	1	-,-	1	25
821	1 605 806 465	Gear Housing SILVER	1	-,-	1	36
821/010	1 607 000 253	Push-Button BLACK	1	-,-	1	12
828	1 605 805 079	Bearing Flange BLACK	1	-,-	1	28

Illustration - Type E

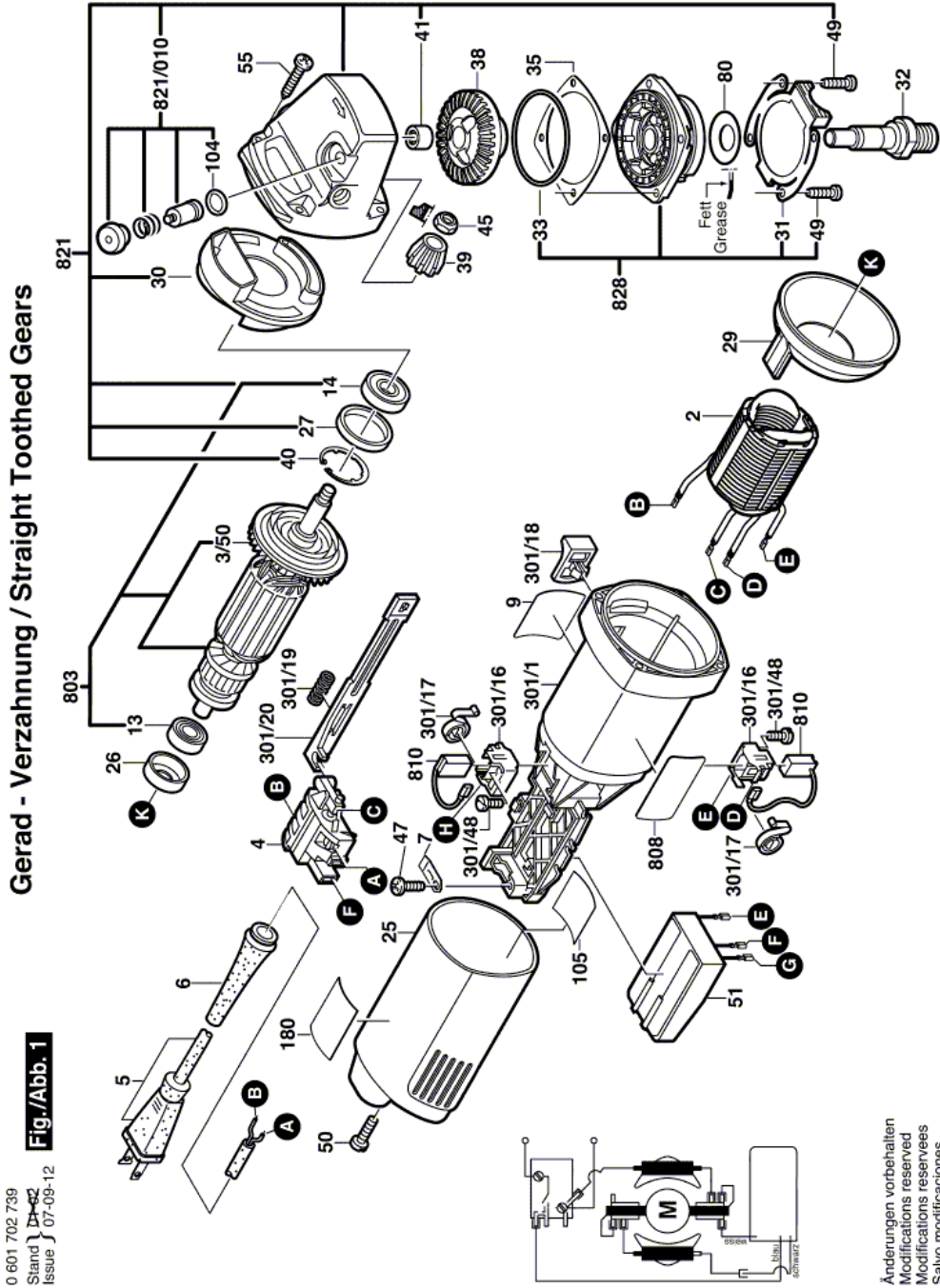
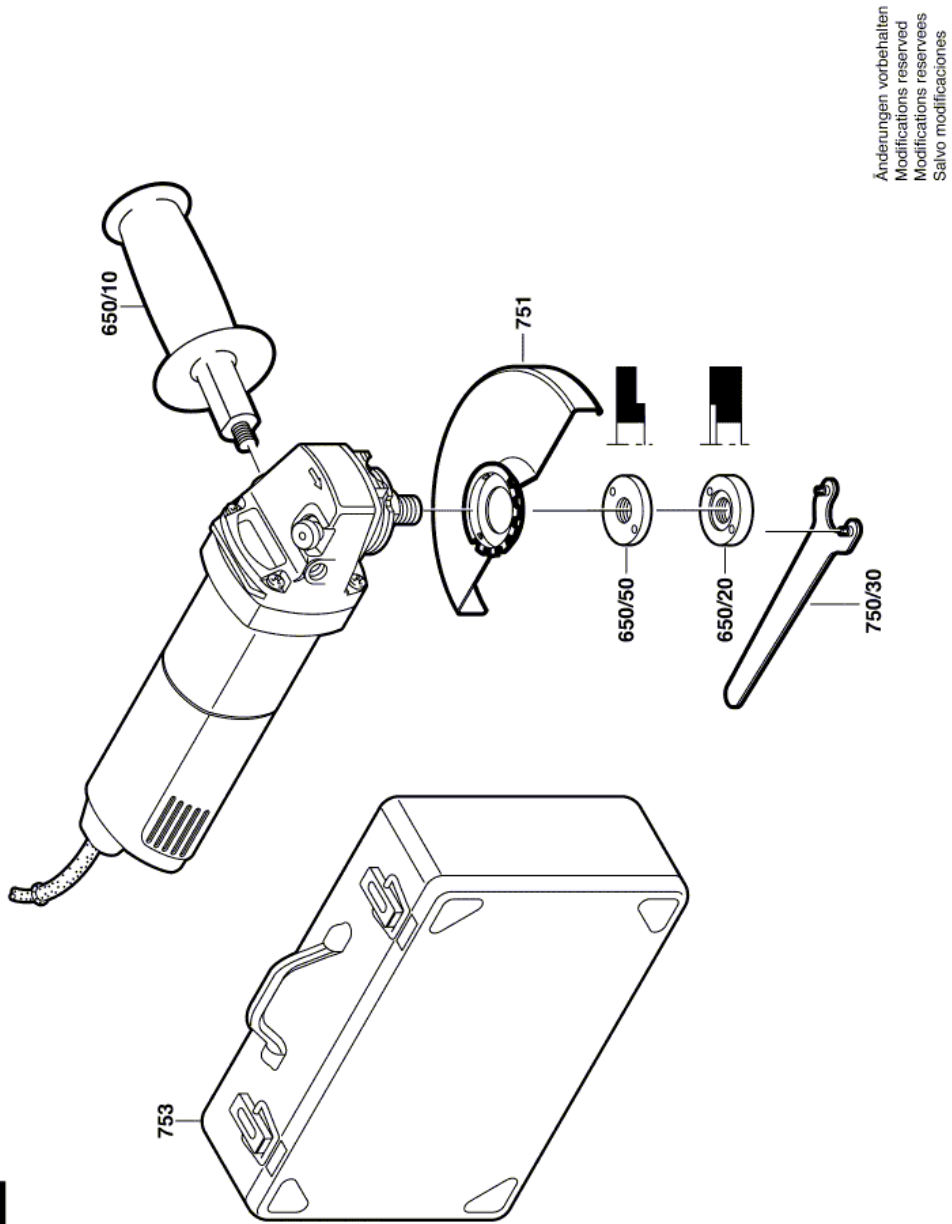


Illustration - Type E



Änderungen vorbehalten  
Modifications reserved  
Modificaciones reservées  
Salvo modificaciones

0 601 702 739  
Stand } 00-02  
Issue } 00-12-12  
**Fig./Abb. 2**

Information subject to change without further notice.