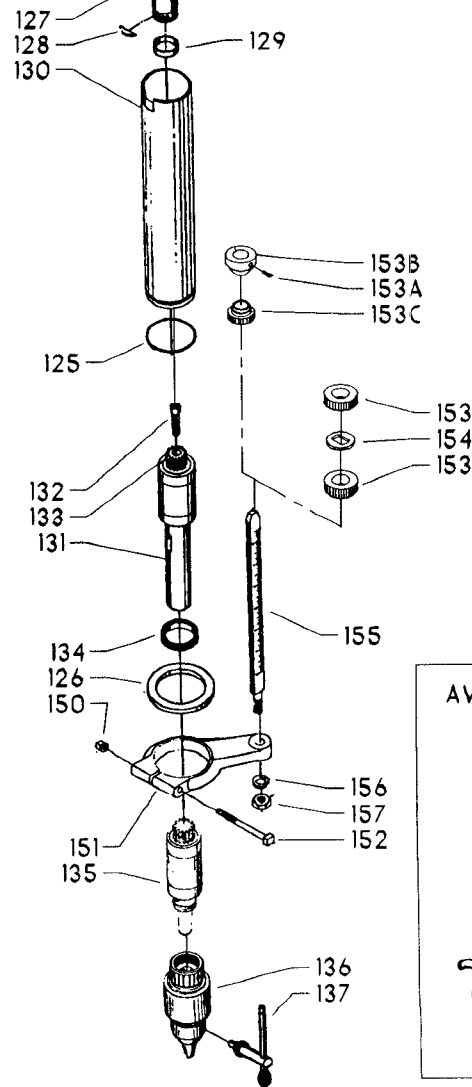
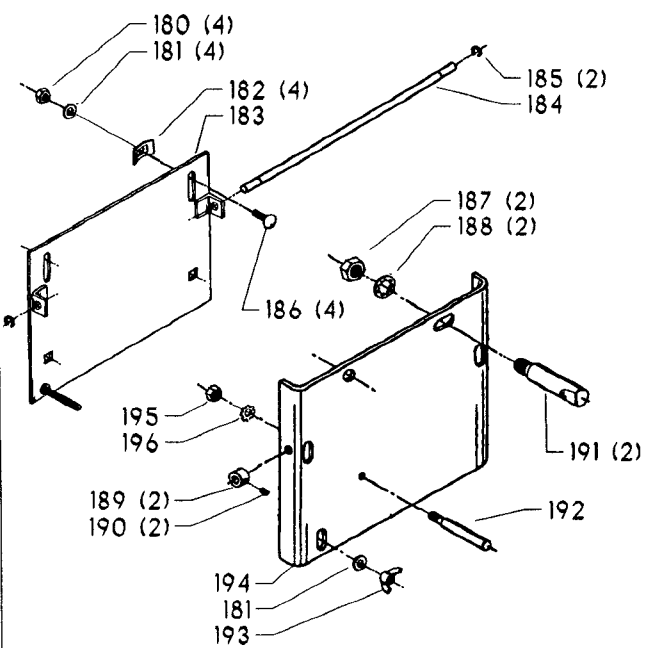
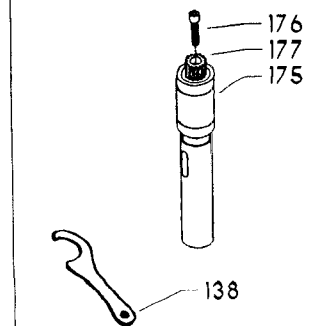


EARLY MODELS ONLY



AVAILABLE AS AN ACCESSORY



## Parts List for 17-412 Type 2

| Item Number | Part Number   | Description         | Qty Required |
|-------------|---------------|---------------------|--------------|
| 1           | 000000-00     | No Longer Available | 1            |
| 1           | 402007520001  | WARNING LABEL       | 1            |
| 2           | 000000-00     | No Longer Available | 2            |
| 3           | 901021207504S | MACHINE SCREW       | 1            |
| 4           | 901064502250S | DRIVE SCREW         | 2            |
| 5           | 402051370001  | NAMEPLATE           | 1            |
| 6           | 000000-00     | No Longer Available | 2            |
| 7           | 902012101079  | LOCK NUT            | 4            |
| 8           | 489026-00     | HEX NUT             | 4            |
| 9           | 904010101614S | STEEL WASHER        | 4            |
| 10          | 000000-00     | No Longer Available | 2            |
| 11          | 901010600626S | CAP SCREW           | 2            |
| 12          | 902010101300S | HEX NUT             | 2            |
| 13          | 904010101620S | WASHER              | 2            |
| 14          | 401043145010  | REAR BRACKET        | 1            |
| 15          | 402070545001  | LOWER GUARD         | 1            |
| 16          | 901020100506  | MACHINE SCREW       | 2            |
| 17          | 401040145007  | FRONT BRACKET       | 1            |
| 18          | 901010600605  | CAP SCREW           | 1            |
| 20          | 000000-00     | No Longer Available | 1            |
| 21          | 000000-00     | No Longer Available | 1            |
| 21          | 49-051        | V BELT-REPLACES 501 | 1            |
| 22          | 000000-00     | No Longer Available | 1            |
| 23          | 901041500206  | SET SCREW           | 1            |
| 24          | 41-825        | HS PULY-7/8B-5ST    | 1            |
| 25          | 901041500206  | SET SCREW           | 1            |
| 26          | 904150131024  | RET RING            | 2            |

## Parts List for 17-412 Type 2

| Item Number | Part Number   | Description         | Qty Required |
|-------------|---------------|---------------------|--------------|
| 27          | 000000-00     | No Longer Available | 1            |
| 28          | 1200037       | MOTOR PLATE ASSY    | 1            |
| 28          | 1200040       | MOTOR PLATE ASSY    | 1            |
| 29          | 901110200834S | CARRIAGE BOLT       | 4            |
| 30          | 902030002951  | SPEED NUT           | 4            |
| 31          | 902010205435S | JAM NUT             | 1            |
| 32          | 1200035       | MOTOR PLATE ASSY    | 1            |
| 33          | 902040101403  | WING NUT            | 1            |
| 34          | 901010600649S | CAP SCREW           | 2            |
| 35          | 902030002951  | SPEED NUT           | 2            |
| 36          | 904010101620S | WASHER              | 4            |
| 37          | 904010101620S | WASHER              | 1            |
| 38          | 902010101300S | HEX NUT             | 4            |
| 40          | 402073575022  | HEAD ASSY           | 1            |
| 41          | 402070205005  | CAP                 | 1            |
| 42          | 000000-00     | No Longer Available | 1            |
| 43          | 901010603114  | CAP SCREW           | 1            |
| 44          | 000000-00     | No Longer Available | 2            |
| 45          | 901041900207S | SET SCREW           | 1            |
| 46          | 000000-00     | No Longer Available | 1            |
| 47          | 904070105575  | WASHER              | 1            |
| 48          | 000000-00     | No Longer Available | 1            |
| 49          | 402070515002  | COMPOUND GEAR       | 1            |
| 50          | 000000-00     | No Longer Available | 1            |
| 51          | 901041500206  | SET SCREW           | 1            |
| 52          | 901202416107  | HEX HD SCR          | 3            |
| 53          | 000000-00     | No Longer Available | 1            |

## Parts List for 17-412 Type 2

| Item Number | Part Number   | Description         | Qty Required |
|-------------|---------------|---------------------|--------------|
| 54          | 000000-00     | No Longer Available | 1            |
| 55          | 920040215116  | BEARING             | 1            |
| 56          | 926010516349  | PULLEY              | 1            |
| 57          | 920040205360  | BEARING             | 1            |
| 58          | 000000-00     | No Longer Available | 1            |
| 58          | 402071065005  | SPINDLE             | 1            |
| 59          | 927010102600  | WOODRUFF KEY        | 1            |
| 60          | 928060107352  | SPRING WASHER       | 1            |
| 61          | 927030102661  | KEY                 | 1            |
| 62          | 952011213274  | SPRING PIN          | 1            |
| 63          | 402071065026  | PINION SHAFT        | 1            |
| 63          | 402074065018  | PINION ASSY         | 1            |
| 64          | 000000-00     | No Longer Available | 1            |
| 65          | 905010106745  | ROLL PIN            | 1            |
| 66          | 000000-00     | No Longer Available | 1            |
| 67          | 1641138       | KNOB                | 3            |
| 67          | 1641138       | KNOB                | 3            |
| 68          | 902012009706  | HEX NUT             | 1            |
| 69          | 901030131026S | CAP SCREW           | 1            |
| 70          | 961010107473  | PLUG                | 1            |
| 71          | 905010106715S | ROLL PIN            | 1            |
| 72          | 000000-00     | No Longer Available | 1            |
| 73          | 901030408015S | CAP SCREW           | 1            |
| 74          | 928080121766  | RETURN SPRING       | 1            |
| 75          | 000000-00     | No Longer Available | 1            |
| 75          | 402073885002  | STOP ASSY           | 1            |
| 76          | 904010101622  | STEEL WASHER        | 1            |

## Parts List for 17-412 Type 2

| Item Number | Part Number   | Description          | Qty Required |
|-------------|---------------|----------------------|--------------|
| 77          | 902010201226S | NUT                  | 1            |
| 102         | 901041500205  | SET SCREW            | 1            |
| 103         | 402054065008  | WORM SHAFT           | 1            |
| 104         | 000000-00     | No Longer Available  | 1            |
| 105         | 930059914787  | BALL CRANK           | 1            |
| 106         | 901041500206  | SET SCREW            | 1            |
| 107         | 901020100912  | MACHINE SCREW        | 1            |
| 108         | 960030102413  | LUBE PLATE           | 1            |
| 109         | 901010600633  | CAP SCREW            | 1            |
| 110         | 902010105437  | HEX NUT              | 1            |
| 111         | 000000-00     | No Longer Available  | 1            |
| 112         | 901061203019  | SCREW                | 1            |
| 113         | 000000-00     | No Longer Available  | 1            |
| 114         | 489026-00     | HEX NUT              | 1            |
| 115         | 000000-00     | No Longer Available  | 1            |
| 116         | 902011209232  | HEX NUT              | 2            |
| 117         | 904030301788  | LOCKWASHER           | 2            |
| 118         | 402071115002S | STUD                 | 2            |
| 119         | 402071045007S | SPACER               | 2            |
| 120         | 1340100       | SWITCH COVER ASSY    | 1            |
| 121         | 901020100567S | MACHINE SCREW        | 2            |
| 122         | 402040310001S | SWITCH OPENING COVER | 1            |
| 123         | 901061203019  | SCREW                | 2            |
| 125         | 904150214138  | GARTER SPRING        | 1            |
| 126         | 904070612942  | CUSHION RING         | 1            |
| 127         | 402051055004  | DRIVE SLEEVE         | 1            |
| 128         | 927012013720  | SEGMENT KEY          | 1            |

## Parts List for 17-412 Type 2

| Item Number | Part Number   | Description         | Qty Required |
|-------------|---------------|---------------------|--------------|
| 129         | 904150214139  | GARTER SPRING       | 1            |
| 130         | 000000-00     | No Longer Available | 1            |
| 130         | 000000-00     | No Longer Available | 1            |
| 130         | 402073775001  | QUILL ASSEMBLY      | 1            |
| 131         | 000000-00     | No Longer Available | 1            |
| 131         | 5140030-88    | SPINDLE             | 1            |
| 132         | 901030100750  | CAP SCREW           | 1            |
| 133         | 000000-00     | No Longer Available | 1            |
| 134         | 902070207176S | BEARING CLOSURE NUT | 1            |
| 135         | 17-882        | 17880 W/JACOB MT    | 1            |
| 136         | 5140043-11    | 0-1/2 IN 3JAW CHUK  | 1            |
| 137         | 65-104        | KEY                 | 1            |
| 138         | 15-838S       | SPANNER WRENCH      | 1            |
| 150         | 489026-00     | HEX NUT             | 1            |
| 151         | 000000-00     | No Longer Available | 1            |
| 152         | 000000-00     | No Longer Available | 1            |
| 153         | 402120685001  | KNURLED NUT         | 1            |
| 153         | 901042601534  | THUMB SCREW         | 1            |
| 153         | 402040885005  | MICRO STOP          | 1            |
| 153         | 402040885005  | MICRO STOP          | 1            |
| 153         | 402040885005  | MICRO STOP          | 1            |
| 154         | 904011031317  | SPEC WASHER         | 1            |
| 155         | 402073885002  | STOP ASSY           | 1            |
| 155         | 402041085007  | STOP ROD            | 1            |
| 156         | 904020201704S | LOCK WASHER         | 1            |
| 157         | 489191-00     | HEX NUT             | 1            |
| 175         | 000000-00     | No Longer Available | 1            |



## Parts List for 17-412 Type 2

| Item Number | Part Number   | Description         | Qty Required |
|-------------|---------------|---------------------|--------------|
| 176         | 901030100750  | CAP SCREW           | 1            |
| 177         | 000000-00     | No Longer Available | 1            |
| 180         | 902010101300S | HEX NUT             | 4            |
| 181         | 904010101620S | WASHER              | 4            |
| 182         | 902030002951  | SPEED NUT           | 4            |
| 183         | 1200037       | MOTOR PLATE ASSY    | 1            |
| 184         | 000000-00     | No Longer Available | 1            |
| 185         | 904150117105  | RING                | 2            |
| 186         | 901110200834S | CARRIAGE BOLT       | 4            |
| 187         | 902010201226S | NUT                 | 2            |
| 188         | 904030201674  | LOCKWASHER          | 2            |
| 189         | 426033880001  | SET COLLAR ASSY     | 2            |
| 190         | 491950-00     | SET SCREW           | 2            |
| 191         | 402070715003  | PIN                 | 1            |
| 192         | 402070715001  | PIN                 | 1            |
| 193         | 902040101403  | WING NUT            | 1            |
| 194         | 1200035       | MOTOR PLATE ASSY    | 1            |
| 195         | 902010101207  | HEX NUT             | 1            |
| 196         | 000000-00     | No Longer Available | 1            |
| 200         | 000000-00     | No Longer Available | 1            |
| 200         | 000000-00     | No Longer Available | 1            |
| 201         | 901010600612S | CAP SCREW           | 1            |
| 202         | 489026-00     | HEX NUT             | 1            |
| 203         | 901041500206  | SET SCREW           | 1            |
| 204         | 901010600643  | CAP SCREW           | 1            |
| 205         | 901010600637  | CAP SCREW           | 1            |
| 206         | 000000-00     | No Longer Available | 2            |

## Parts List for 17-412 Type 2

| Item Number | Part Number   | Description         | Qty Required |
|-------------|---------------|---------------------|--------------|
| 207         | 901041900207S | SET SCREW           | 1            |
| 208         | 402070205003  | CAP                 | 1            |
| 209         | 904070105575  | WASHER              | 1            |
| 210         | 000000-00     | No Longer Available | 1            |
| 211         | 402070515002  | COMPOUND GEAR       | 1            |
| 212         | 402073145001  | TABLE BRACKET       | 1            |
| 212         | 402070145006  | BRACKET             | 1            |
| 213         | 901041500205  | SET SCREW           | 1            |
| 214         | 902010205438  | HEX JAM NUT         | 1            |
| 215         | 904100313893  | WASHER              | 1            |
| 216         | 402053275002  | CLAMP HANDLE        | 1            |
| 217         | 1641138       | KNOB                | 1            |
| 217         | 1641138       | KNOB                | 1            |
| 218         | 402054065008  | WORM SHAFT          | 1            |
| 219         | 000000-00     | No Longer Available | 1            |
| 220         | 930059914787  | BALL CRANK          | 1            |
| 221         | 901041500206  | SET SCREW           | 1            |
| 225         | 901010600630  | CAP SCREW           | 1            |
| 226         | 402051055002  | SLEEVE              | 1            |
| 227         | 904010131826  | WASHER              | 1            |
| 228         | 904020201707  | LOCK WASHER         | 1            |
| 229         | 000000-00     | No Longer Available | 1            |
| 230         | 000000-00     | No Longer Available | 1            |
| 232         | 000000-00     | No Longer Available | 1            |
| 233         | 000000-00     | No Longer Available | 1            |
| 234         | 000000-00     | No Longer Available | 1            |
| 235         | 000000-00     | No Longer Available | 1            |

## Parts List for 17-412 Type 2

| Item Number | Part Number   | Description         | Qty Required |
|-------------|---------------|---------------------|--------------|
| 236         | 904100312097S | SPECIAL WASHER      | 1            |
| 237         | 000000-00     | No Longer Available | 1            |
| 238         | 402070055002  | BASE                | 1            |
| 239         | 402070275001  | U-BOLT              | 1            |
| 240         | 904010101618S | STEEL WASHER        | 2            |
| 241         | 902010101282S | HEX JAM NUT         | 2            |