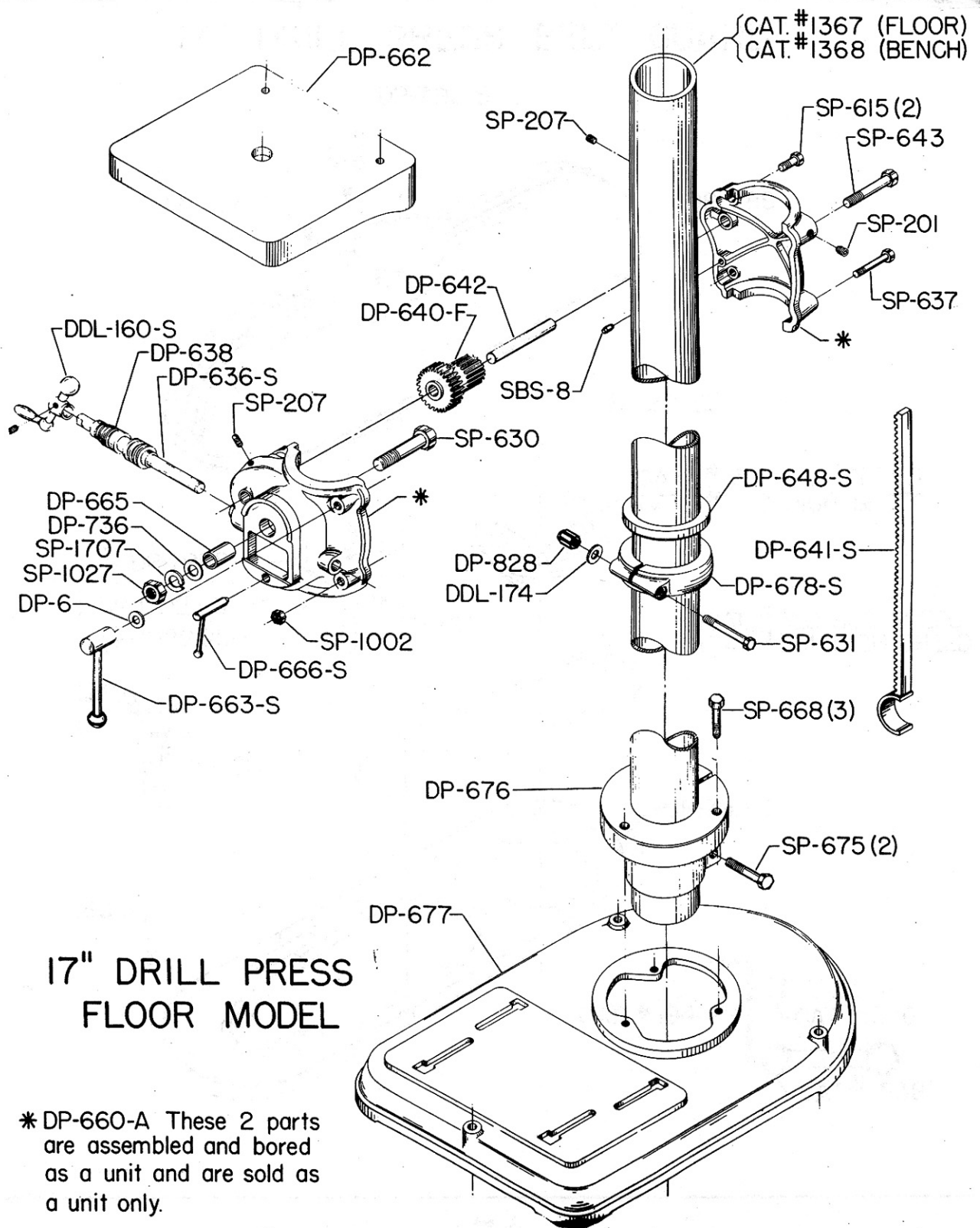


17" DRILL PRESS

Fig. 3.



17" DRILL PRESS FLOOR MODEL

* DP-660-A These 2 parts are assembled and bored as a unit and are sold as a unit only.

Fig. 4.

17" DRILL PRESS BELT GUARD

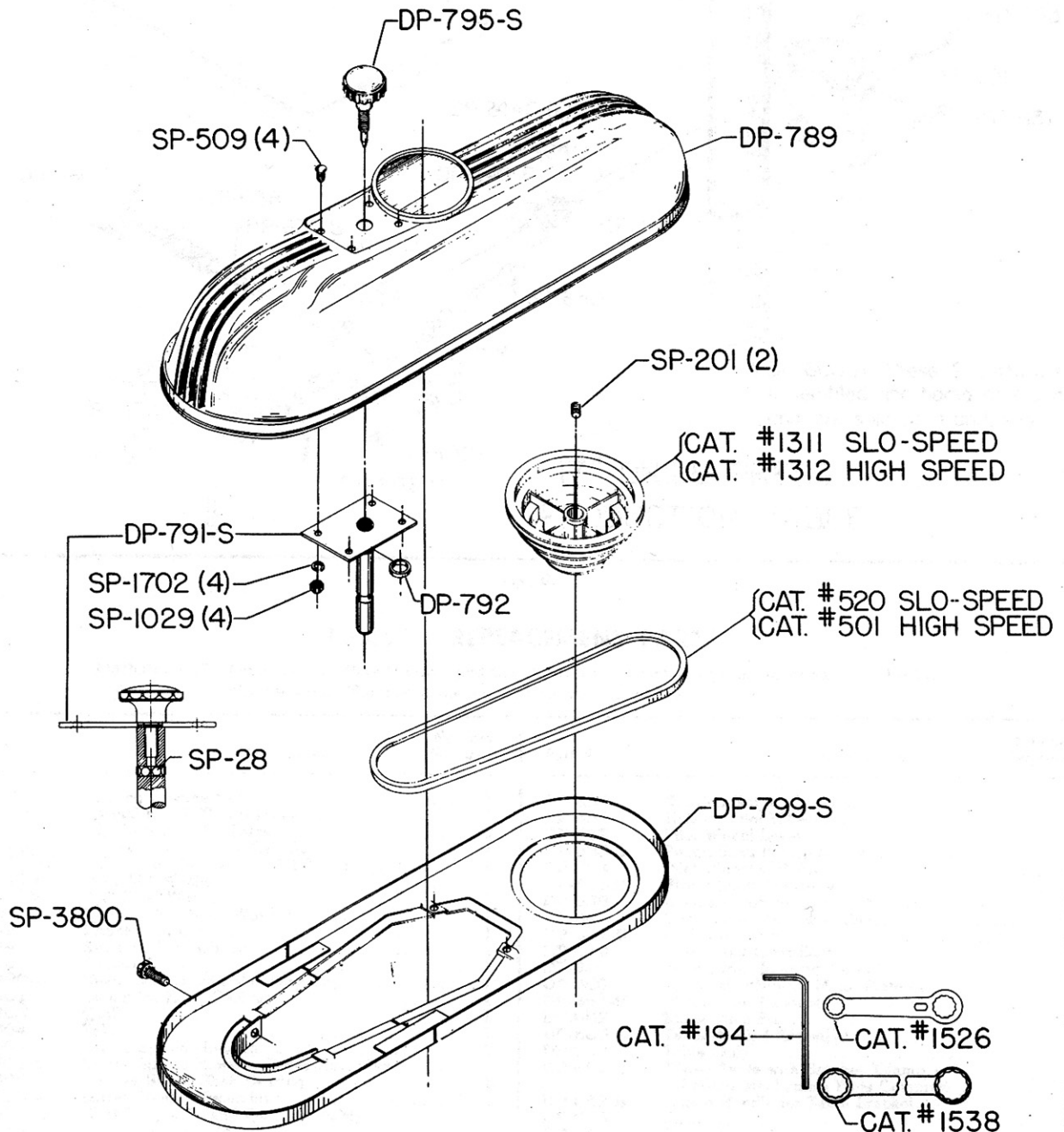


Fig. 5.

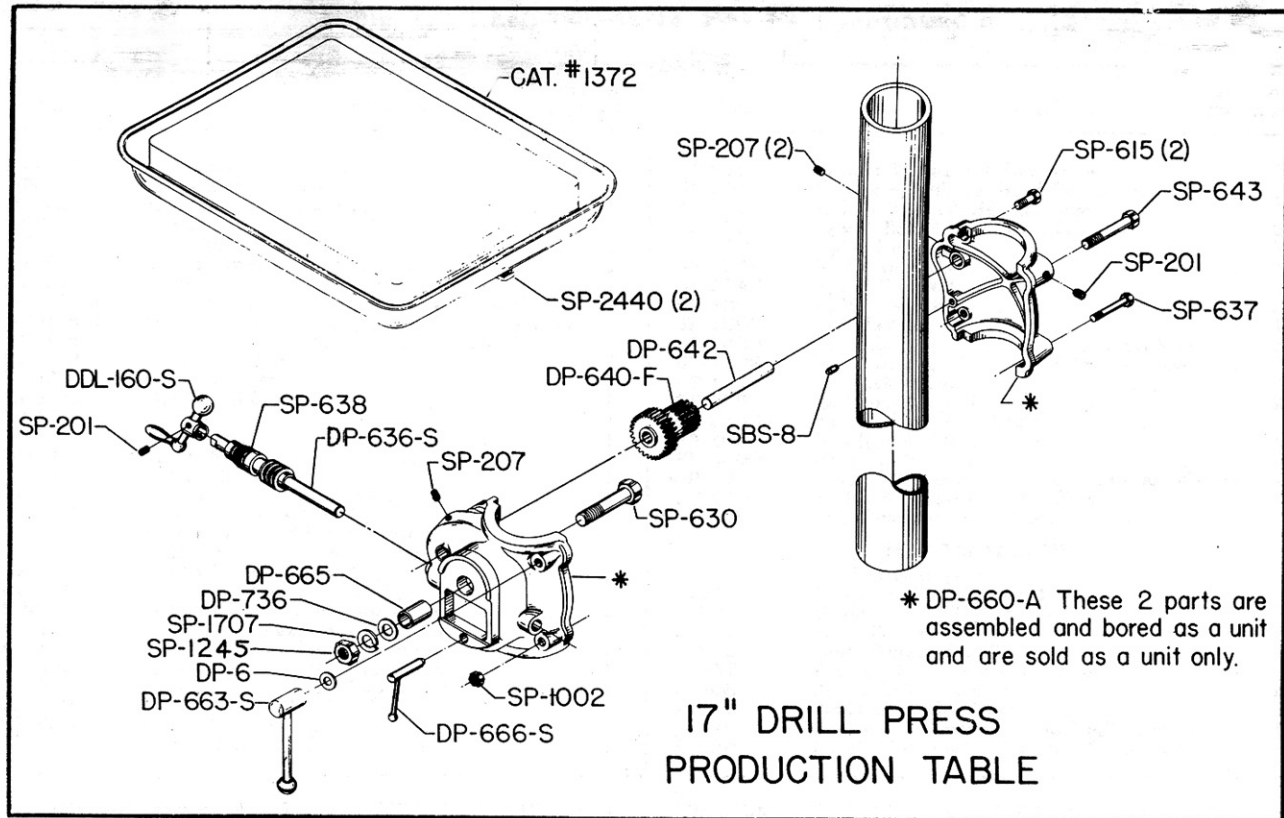


Fig. 6.

Table 1. REPLACEMENT PARTS

IMPORTANT: Give both the Part Number and the Description of each item when ordering from this list; also the Serial Number of the machine on which the parts are to be used.

Part No.	Description	Number Required	Part No.	Description	Number Required
BG-12	Bearing Closure Nut	1	DP-629	Knurled Nut for Stop Rod	2
BM-23	Special Nut .679"-28 Thread	1	DP-631	Hub for Pilot Wheel	1
CG-40	$\frac{3}{64}$ " Washer .09" Thick	2	DP-632	Pilot Wheel Lever	3
DDL-105	#10-32 x $\frac{7}{16}$ " Fil. Hd. Cap Screw	4	DP-633-L	Pinion-Shaft Return Spring	1
DDL-160-S	Ball Crank Handle with Set Screw	1	DP-634	Pilot Wheel Hub Pin	1
DDL-174	$\frac{29}{64}$ x $\frac{1}{8}$ " Washer	1	DP-636-S	Worm Shaft Assembly	1
DDL-175	$\frac{29}{64}$ " Steel Washer	1	DP-638	Bearing Closure Spanner Nut	1
DP-6	1 x $\frac{33}{64}$ x $\frac{3}{16}$ " Steel Washers	1	DP-640-F	Compound Gear Assembly	1
DP-42	Chuck with Key	1	DP-641-S	Rack with Hook	1
DP-44	Key for DP-42 Chuck	1	DP-642	Compound Gear Shaft	1
DP-282	Thumb Screw	1	DP-648-S	Rack Thrust Bearing Assembly	1
DP-600-Z	Head Casting with Matching Cap	1	DP-650	$\frac{3}{4}$ -16" Hex Nut for Motor Plate Pin	2
DP-601	Clamp for Head Casting	1	DP-651-S	Motor Plate Assembly	1
DP-603	Quill	1	DP-652	Motor Plate Pin	2
DP-604	Yoke	1	DP-660-A	Table Bracket Assembly	1
DP-607-L	Return Spring Housing	1	DP-662	Table Only	1
DP-608-S	Return Spring Housing Cover Assembly	1	DP-662-S	Tilting Table with Bracket, Clamp and Raising Mechanism Parts Complete	1
DP-609	Cap for Spline Shaft Bearing	1	DP-663-S	Clamp Handle for Table Bracket	1
DP-610-A	Lower Spindle Assembly	1	DP-665	Sleeve	1
DP-610-R	#2 M.T. Spindle and Quill Assembly	1	DP-666-S	Index Pin for Table	1
DP-614	Pinion for Lower Spindle	1	DP-676	Base Flange	1
DP-615	Spindle Sleeve	1	DP-677	Floor-type Base	1
DP-616	Spindle Only	1	DP-678-S	Collar for Rack Thrust Bearing	1
DP-618-A	Pinion Shaft	1	DP-699	Name Plate	1
DP-619-L	Spacer Disk	1	DP-700-A	Lower Spindle Assembly	1
DP-621	Spring-Adjusting Screw	1	DP-700-R	Quill and Chuck Assembly	1
DP-622	Garter Spring 1" Dia. $\frac{1}{4}$ " Wide	1	DP-704	Garter Spring	1
DP-623	Drive-Pinion Key	1	DP-721	Stop Nut Washer	1
DP-625	Nut for Stop Yoke	1	DP-722	$\frac{19}{32}$ " I.D., $\frac{13}{16}$ " O.D. x $\frac{1}{32}$ " Th. Lockwasher	1
DP-626-L	Indicator Pointer	1	DP-736	Washer	1
DP-628	Stop Rod	1			

(Continued on next page)

Table 1. REPLACEMENT PARTS (Continued)

Part No.	Description	Number Required	Part No.	Description	Number Required
DP-789	Upper Belt Guard.....	1	SP-675	$\frac{7}{16}$ -20 x 3" Hex. Hd. Cap Screw.....	2
DP-790	Shock Ring, Leather.....	1	SP-701	$\frac{1}{4}$ -20 x $\frac{3}{4}$ " Fillister Head Cap Screw.....	1
DP-791-S	Mounting Plate Assembly.....	1	SP-712	$\frac{1}{4}$ -20 x 2 $\frac{3}{4}$ " Fil. Hd. Cap Screw.....	1
DP-792	Garter Spring.....	1	SP-908	$\frac{7}{16}$ x 1" Round Head Stove Bolt.....	2
DP-793	Snap-Spring for Guard Support Rod.....	1	SP-1002	$\frac{7}{16}$ -14" Hex. Nut.....	1
DP-795-S	Guard Support Rod with Knob.....	1	SP-1029	$\frac{1}{4}$ -20" Hex. Nut.....	4
DP-797	Pin for Belt Guard.....	1	SP-1245	$\frac{3}{4}$ -10" Hex. Nut.....	1
DP-799-S	Front and Rear Parts for Lower Half Guard.....	1	SP-1300	$\frac{7}{16}$ -18" Hex. Nut.....	2
DP-825-R	Spindle Pulley (Lo-Speed) with Key and Washer.....	1	SP-1603	$\frac{1}{4}$ " Washer.....	1
DP-826-R	Spindle Pulley (Hi-Speed) with Key and Washer.....	1	SP-1620	$\frac{3}{4}$ " O.D. x $\frac{5}{16}$ " I.D. x $\frac{1}{16}$ " Thick Steel Washer.....	3
DP-828	$\frac{7}{16}$ -14" Clamp Nut.....	3	SP-1702	$\frac{7}{16}$ " O.D. x $\frac{1}{4}$ " I.D. x $\frac{1}{16}$ " Thick Lockwasher.....	2
FJ-324	Pilot Lever Ball.....	3	SP-1707	$\frac{3}{4}$ " Lockwasher.....	1
NCS-33	Star Wheel Spring.....	1	SP-1753	$\frac{3}{64}$ " Lockwasher Internal Teeth.....	2
NJ-220	Hand Knob.....	1	SP-2440	Plug for Production Table.....	1
SBS-8	Dowel Pin.....	1	SP-2661	$\frac{3}{16}$ x $\frac{3}{16}$ x 2" Straight Key.....	1
SD-18	$\frac{1}{4}$ -20" Nut.....	1	SP-3000	No. 6 Rd. Hd. Self-Tapping Screw.....	2
SP-28	$\frac{1}{4}$ " Steel Ball.....	1	SP-3800	$\frac{5}{16}$ -18 x $\frac{7}{8}$ " Trimmed Hex. Head External Washer.....	1
SP-201	$\frac{7}{16}$ -18 x $\frac{3}{16}$ " Soc. Set Screw.....	1	SP-5344	Sealed Ball Bearing — ND-88503.....	1
SP-207	$\frac{7}{16}$ -18 x $\frac{1}{2}$ " Socket Set Screw.....	1	SP-5350	Snap Ring Bearing — ND-C-487503.....	1
SP-310	$\frac{3}{8}$ -16 x $\frac{5}{8}$ " Sq. Hd. Set Screw.....	2		MISCELLANEOUS	
SP-509	$\frac{1}{4}$ -20 x $\frac{1}{2}$ " Rd. Hd. Machine Screw.....	1	#194	$\frac{5}{16}$ " Socket Wrench.....	1
SP-605	$\frac{7}{16}$ -18 x $\frac{1}{2}$ " Hex. Head Cap Screw.....	1	#501	V-Belt Cir. in 49 $\frac{7}{8}$ ", out 51 $\frac{11}{16}$ ".....	1
SP-606	$\frac{7}{16}$ -18 x $\frac{5}{8}$ " Hex. Hd. Cap Screw.....	1	#520	V-Belt Cir. in 52 $\frac{1}{4}$ ", out 54 $\frac{1}{8}$ ".....	1
SP-615	$\frac{7}{16}$ -14 x 1 $\frac{3}{4}$ " Hex. Hd. Cap Screw.....	2	#1311	Motor Pulley, Max. Dia. 6".....	1
SP-630	$\frac{3}{4}$ -10 x 3 $\frac{1}{2}$ " Hex. Hd. Cap Screw.....	1	#1312	Motor Pulley, Max. Dia. 6 $\frac{1}{2}$ ".....	1
SP-631	$\frac{7}{16}$ -14 x 4" Hex. Head Cap Screw.....	1	#1367	3 $\frac{1}{2}$ " x 60" Column — For Floor.....	1
SP-633	$\frac{7}{16}$ -14 x 3 $\frac{1}{4}$ " Hex. Hd. Cap Screw.....	1	#1368	3 $\frac{1}{2}$ " x 38 $\frac{1}{2}$ " Column for Bench Mach.....	1
SP-637	$\frac{7}{16}$ -14 x 3 $\frac{3}{4}$ " Hex. Hd. Cap Screw.....	1	#1372	Production Table Only.....	1
SP-643	$\frac{1}{2}$ -13 x 4" Hex. Hd. Cap Screw.....	1	#1526	Double End Wrench, $\frac{7}{16}$ " and $\frac{9}{16}$ " openings.....	1
SP-668	$\frac{1}{2}$ -20 x 1 $\frac{3}{4}$ " Hex. Hd. Cap Screw.....	3	#1538	Double End Wrench, $\frac{5}{8}$ " and $\frac{3}{4}$ " openings.....	1
SP-674	$\frac{7}{16}$ -18 x 2 $\frac{3}{4}$ " Hex. Hd. Cap Screw.....	1			

CONSULT YOUR DELTA DEALER FOR PRICES OF REPLACEMENT PARTS, ACCESSORIES AND TOOLS. TO FACILITATE HANDLING WE SUGGEST ORDERING ALL PARTS THROUGH YOUR DELTA DEALER.